

$$F(x,y) = 6(x^3 + y^2x) = 6x^3 + 6y^2x$$

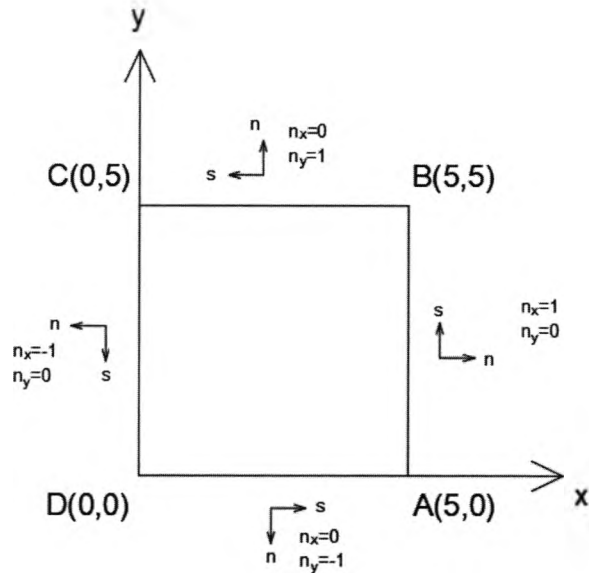
$$\frac{\delta F}{\delta x} = 18x^2 + 6y^2$$

$$\frac{\delta^2 F}{\delta x^2} = 36x = \sigma_y$$

$$\frac{\delta F}{\delta y} = 12xy$$

$$\frac{\delta^2 F}{\delta y^2} = 12x = \sigma_x$$

$$\tau_{xy} = \frac{-\delta^2 F}{\delta x \delta y} = -12y$$



$$p_{nn} = \sigma_x n_x^2 + 2\tau_{xy} n_x n_y + \sigma_y n_y^2$$

$$p_{ns} = (\sigma_y - \sigma_x) n_x n_y + \tau_{xy} (n_x^2 - n_y^2)$$

AB:

A(5,0) B(5,5)

$$n_x = 1$$

$$n_y = 0$$

$$p_{nn} = \sigma_x n_x^2 = 12x$$

CD:

C(0,5) D(0,0)

$$n_x = -1$$

$$n_y = 0$$

$$p_{nn} = \sigma_x n_x^2 = 12x$$

BC:

B(5,5) C(0,5)

$$n_x = 0$$

$$n_y = 1$$

$$p_{nn} = \sigma_y = 36x$$

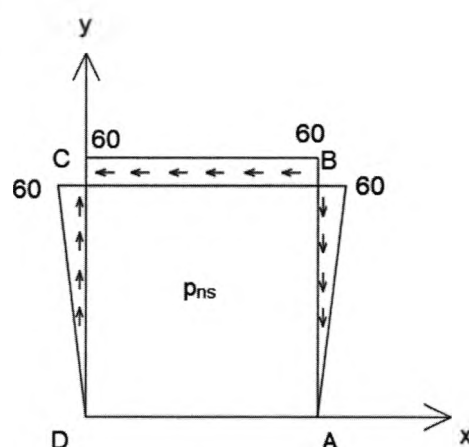
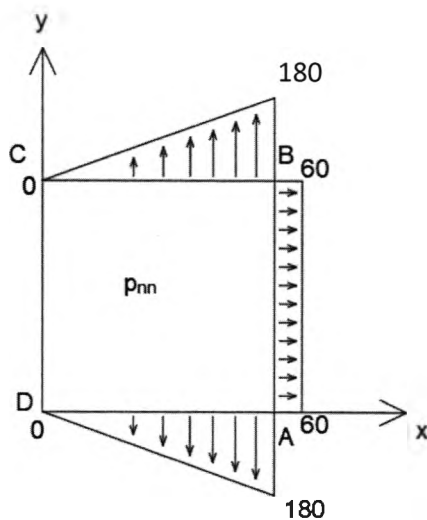
DA:

D(0,0) A(5,0)

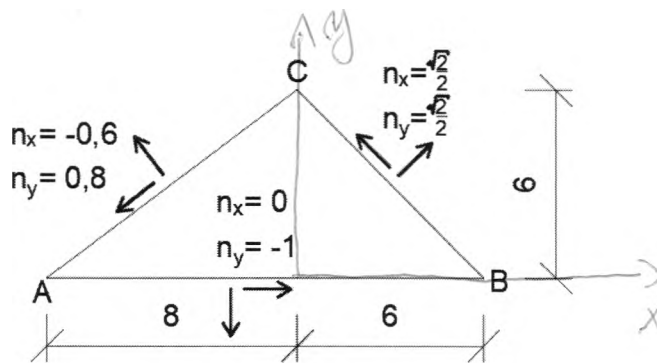
$$n_x = 0$$

$$n_y = -1$$

$$p_{nn} = \sigma_y = 36x$$



. Wyznacz obciążenie tarczy



$$F(x, y) = 40x^3 + 20xy^2$$

$$\sigma_x = \frac{\partial^2 F}{\partial^2 y^2} = 40x$$

$$\sigma_y = \frac{\partial^2 F}{\partial^2 x^2} = 240x$$

$$\tau_{xy} = -\frac{\partial^2 F}{\partial x \partial y} = -40y$$

$$T_\sigma = \begin{bmatrix} 40x & -40y & 0 \\ -40y & 240x & 0 \\ 0 & 0 & 0 \end{bmatrix}$$

$$p_{nn} = \sigma_x n_x^2 + 2\tau_{xy} n_x n_y + \sigma_y n_y^2$$

$$p_{ns} = (\sigma_y - \sigma_x) n_x n_y + \tau_{xy} (n_x^2 - n_y^2)$$

(AB)

$$p_{nn} = \sigma_y = 240x \rightarrow \begin{matrix} A=-1920 \\ B=1440 \end{matrix}$$

$$p_{ns} = n_y^2 \cdot \tau_{xy} = 40y \rightarrow \begin{matrix} A=0 \\ B=0 \end{matrix}$$

(BC)

$$p_{nn} = 40x \cdot 0,5 + 80y \cdot 0,5 + 240x \cdot 0,5 = 140x - 40y \rightarrow \begin{matrix} B=840 \\ C=0 \end{matrix}$$

$$p_{ns} = (240x - 40x) \cdot 0,5 = 100x \rightarrow \begin{matrix} B=600 \\ C=0 \end{matrix}$$

(AC)

$$p_{nn} = 168x + 38,4y \rightarrow \begin{matrix} A=-1344 \\ C=230,4 \end{matrix}$$

$$p_{ns} = -96x + 11,2y \rightarrow \begin{matrix} A=768 \\ C=67,2 \end{matrix}$$

