

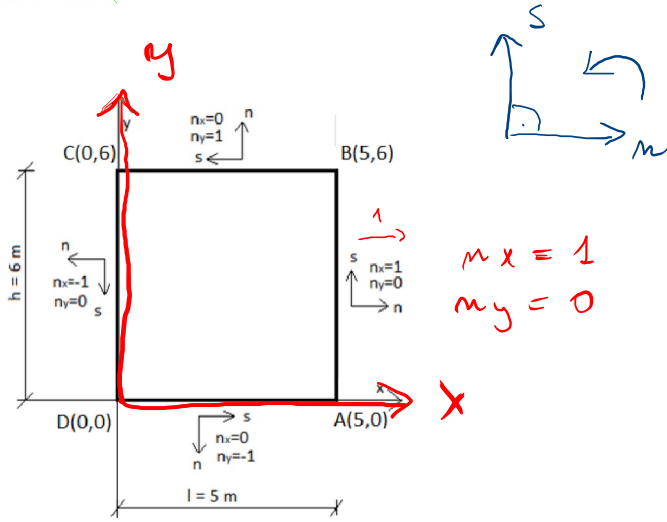
# PRZYKŁAD 1

Obliczyć i narysować obciążenie tarczy:

$$F(x, y) = A(x^3 + y^2x)$$

*f obciążenie na powierzchni*

$$A = 40, \quad h = 6 \text{ m}, \quad l = 5 \text{ m}$$



Naprężenia:

$$F(x, y) = 40(x^3 + y^2x) = 40x^3 + 40y^2x$$

$$\frac{dF}{dx} = 40 \cdot 3 \cdot x^2 + 40 \cdot y^2 = 120x^2 + 40y^2$$

$$\frac{d^2F}{dx^2} = 120 \cdot 2 \cdot x = 240x \rightarrow \sigma_y = 240x$$

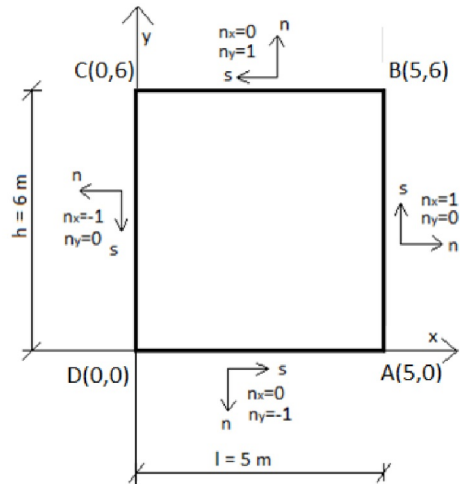
$$\frac{dF}{dy} = 40 \cdot 2 \cdot y \cdot x = 80xy$$

$$\frac{d^2F}{dy^2} = 80x \rightarrow \sigma_x = 80x$$

$$\tau_{xy} = -\frac{d^2F}{dx dy}$$

$$\tau_{xy} = -80y$$

$$\begin{bmatrix} 80x & -80y \\ -80y & 240x \end{bmatrix}$$



$$p_{nn} = \sigma_x n_x^2 + 2\tau_{xy} n_x n_y + \sigma_y n_y^2$$

• Krawędź AB

$$A(5,0), B(5,6)$$

$$n_x = 1, n_y = 0$$

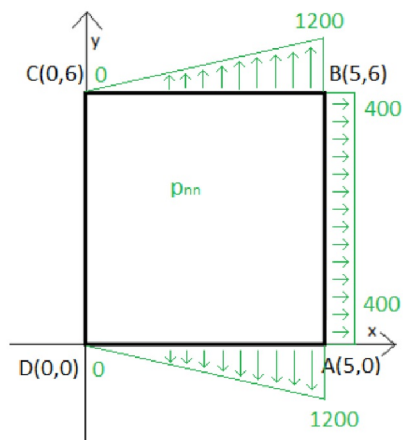
$$2\tau_{xy} n_x n_y = 0, \sigma_y n_y^2 = 0$$

$$p_{nn,AB} = \sigma_x n_x^2 = 80x \cdot 1^2 = 80x$$

$$p_{nn,AB}^A = 80 \cdot 5 = 400$$

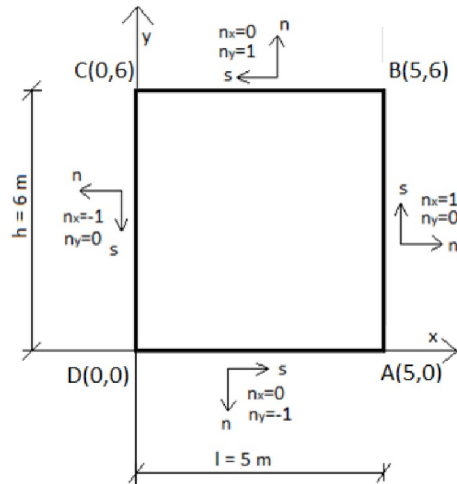
$$p_{nn,AB}^B = 80 \cdot 5 = 400$$

Wykres obciążenia tarczy  $p_{nn}$









$$p_{nn} = \sigma_x n_x^2 + 2\tau_{xy} n_x n_y + \sigma_y n_y^2$$

• Krawędź BC

$$B(5,6), C(0,6)$$

$$n_x = 0, n_y = 1$$

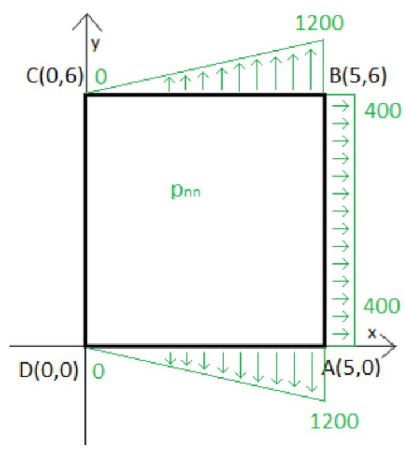
$$2\tau_{xy} n_x n_y = 0, \sigma_x n_x^2 = 0$$

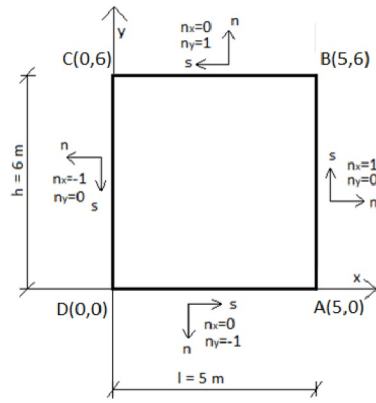
$$p_{nn,AB} = \sigma_y n_y^2 = 240x \cdot 1^2 = 240x$$

$$p_{nn,BC}^B = 240 \cdot 5 = 1200$$

$$p_{nn,BC}^C = 240 \cdot 0 = 0$$

Wykres obciążenia tarczy  $p_{nn}$





$$p_{nn} = \sigma_x n_x^2 + 2\tau_{xy} n_x n_y + \sigma_y n_y^2$$

- Krawędź CD

$$C(0,6), D(0,0)$$

$$n_x = -1, n_y = 0$$

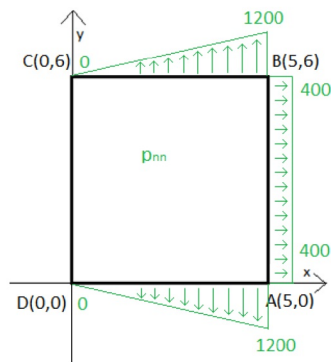
$$2\tau_{xy} n_x n_y = 0, \sigma_y n_y^2 = 0$$

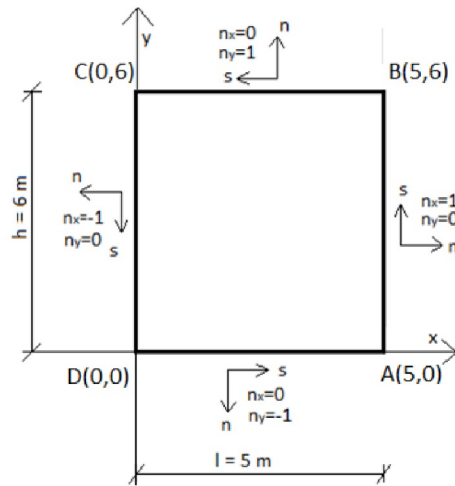
$$p_{nn,CD} = \sigma_x n_x^2 = 80x \cdot (-1)^2 = 80x$$

$$p_{nn,CD}^C = 80 \cdot 0 = 0$$

$$p_{nn,CD}^D = 80 \cdot 0 = 0$$

Wykres obciążenia tarczy  $p_{nn}$





$$p_{nn} = \sigma_x n_x^2 + 2\tau_{xy} n_x n_y + \sigma_y n_y^2$$

- Krawędź DA

$$D(0,0), A(5,0)$$

$$n_x = 0, n_y = -1$$

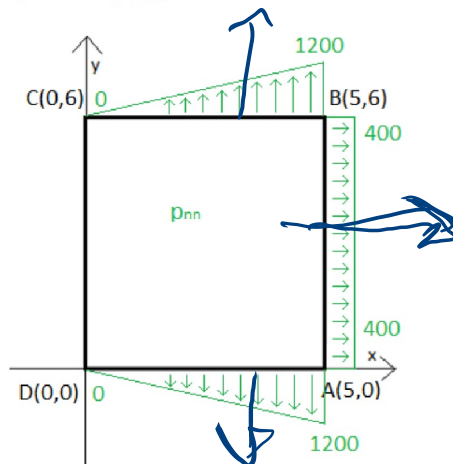
$$2\tau_{xy} n_x n_y = 0, \sigma_x n_x^2 = 0$$

$$p_{nn,DA} = \sigma_y n_y^2 = 240x \cdot (-1)^2 = 240x$$

$$p_{nn,DA}^D = 240 \cdot 0 = 0$$

$$p_{nn,DA}^A = 240 \cdot 5 = 1200$$

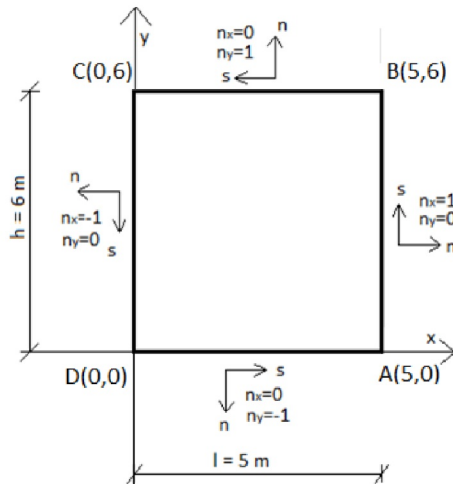
Wykres obciążenia tarczy  $p_{nn}$



$$400 \cdot 6 = 2400$$

Obciążenia tarczy  $p_{ns}$

$$p_{ns} = (\sigma_y - \sigma_x)n_x n_y + \tau_{xy}(n_x^2 - n_y^2)$$



• Krawędź AB

$$A(5,0), B(5,6)$$

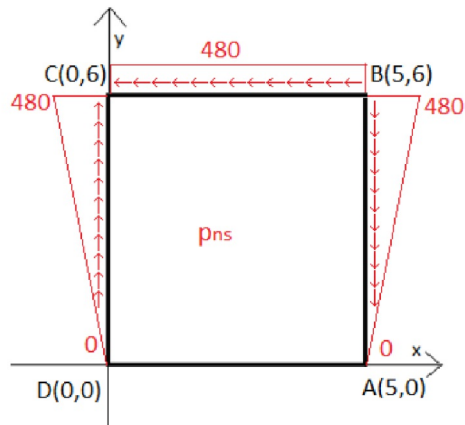
$$n_x = 1, n_y = 0$$

$$(\sigma_y - \sigma_x)n_x n_y = 0$$

$$p_{ns,AB} = \tau_{xy}(n_x^2 - n_y^2) = -80y \cdot (1^2 - 0^2) = -80y \cdot 1 = -80y$$

$$p_{ns,AB}^A = -80 \cdot 0 = 0$$

$$p_{ns,AB}^B = -80 \cdot 6 = -480$$



- **Krawędź BC**

$$B(5,6), C(0,6)$$

$$n_x = 0, n_y = 1$$

$$(\sigma_y - \sigma_x)n_x n_y = 0$$

$$p_{ns,BC} = \tau_{xy}(n_x^2 - n_y^2) = -80y \cdot (0^2 - 1^2) = -80y \cdot (-1) = 80y$$

$$p_{ns,BC}^B = 80 \cdot 6 = 480$$

$$p_{ns,BC}^C = 80 \cdot 6 = 480$$

- **Krawędź CD**

$$C(0,6), D(0,0)$$

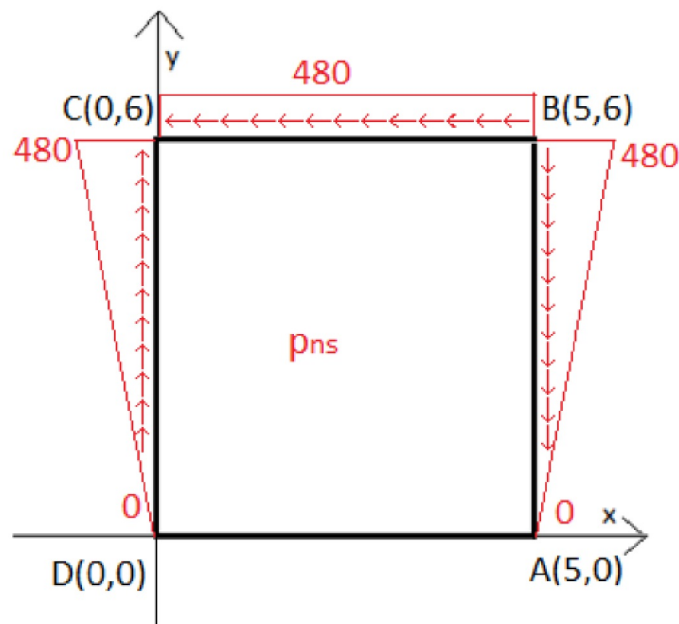
$$n_x = -1, n_y = 0$$

$$(\sigma_y - \sigma_x)n_x n_y = 0$$

$$p_{ns,CD} = \tau_{xy}(n_x^2 - n_y^2) = -80y \cdot ((-1)^2 - 0^2) = -80y \cdot 1 = -80y$$

$$p_{ns,CD}^C = -80 \cdot 6 = -480$$

$$p_{ns,CD}^D = -80 \cdot 0 = 0$$



- Krawędź DA

$$D(0,0), A(5,0)$$

$$n_x = 0, n_y = -1$$

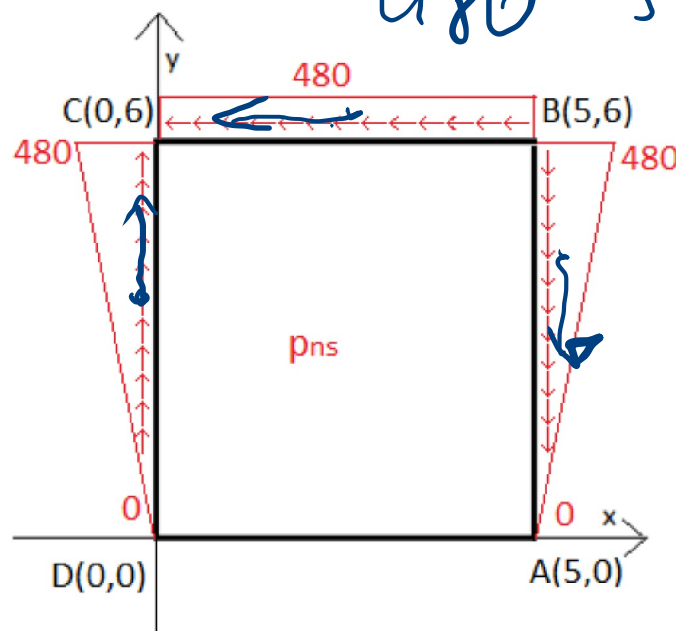
$$(\sigma_y - \sigma_x)n_x n_y = 0$$

$$p_{ns,DA} = \tau_{xy}(n_x^2 - n_y^2) = -80y \cdot (0^2 - (-1)^2) = -80y \cdot (-1) = 80y$$

$$p_{ns,DA}^D = 80 \cdot 0 = 0$$

$$p_{ns,DA}^A = 80 \cdot 0 = 0$$

$$480 \cdot 5 = 2400$$



$$p_{nn} = \sigma_x n_x^2 + 2\tau_{xy} n_x n_y + \sigma_y n_y^2$$

$$p_{ns} = (\sigma_y - \sigma_x)n_x n_y + \tau_{xy}(n_x^2 - n_y^2)$$

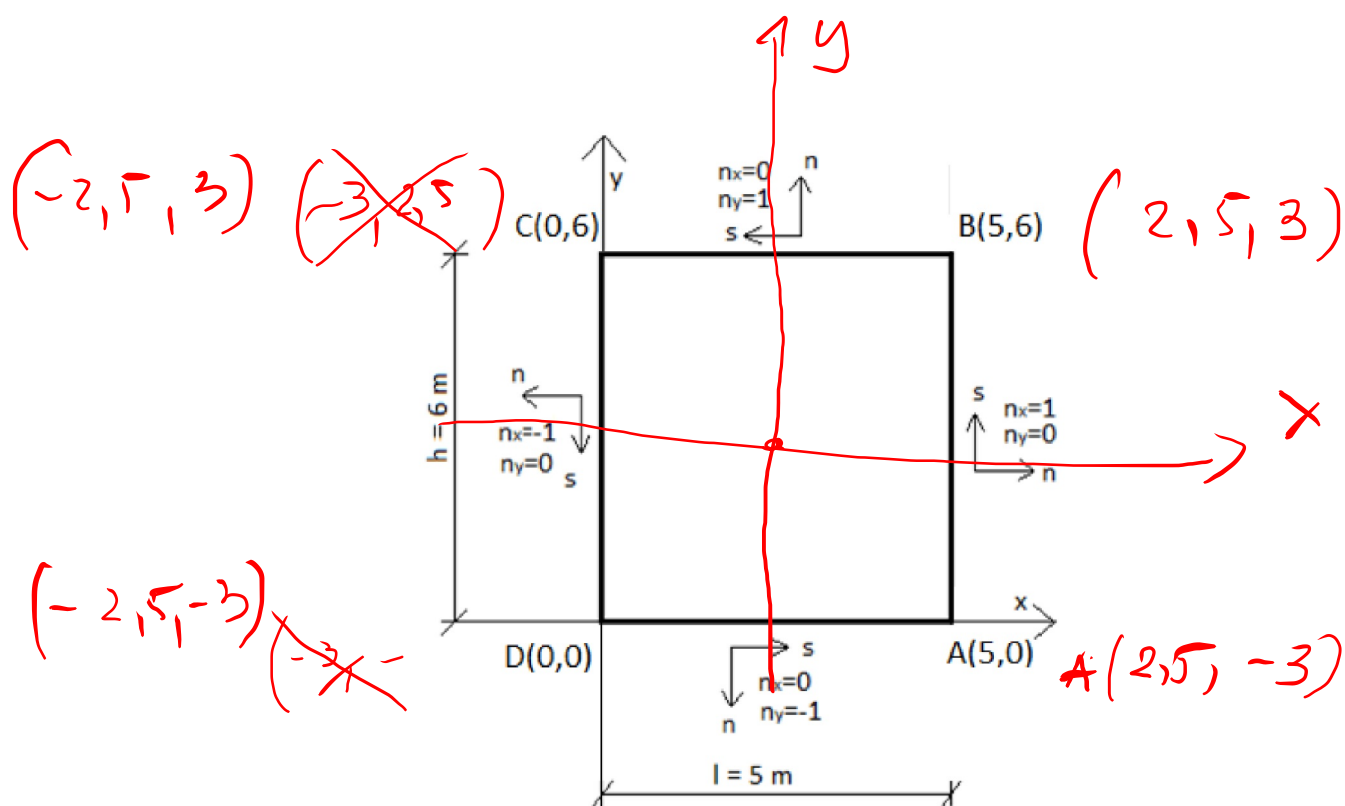
$$\tau_{xy} - (n_y^2)$$

## PRZYKŁAD 2

Obliczyć i narysować obciążenie tarczy:

$$F(x, y) = A(x^3 + y^2x)$$

$$A = 40, \quad h = 6 \text{ m}, \quad l = 5 \text{ m}$$



**Napreżenia:**

$$F(x, y) = 40(x^3 + y^2x) = 40x^3 + 40y^2x$$

$$\frac{dF}{dx} = 40 \cdot 3 \cdot x^2 + 40 \cdot y^2 = 120x^2 + 40y^2$$

$$\frac{d^2F}{dx^2} = 120 \cdot 2 \cdot x = 240x \rightarrow \sigma_y = \mathbf{240x}$$

$$\frac{dF}{dy} = 40 \cdot 2 \cdot y \cdot x = 80xy$$

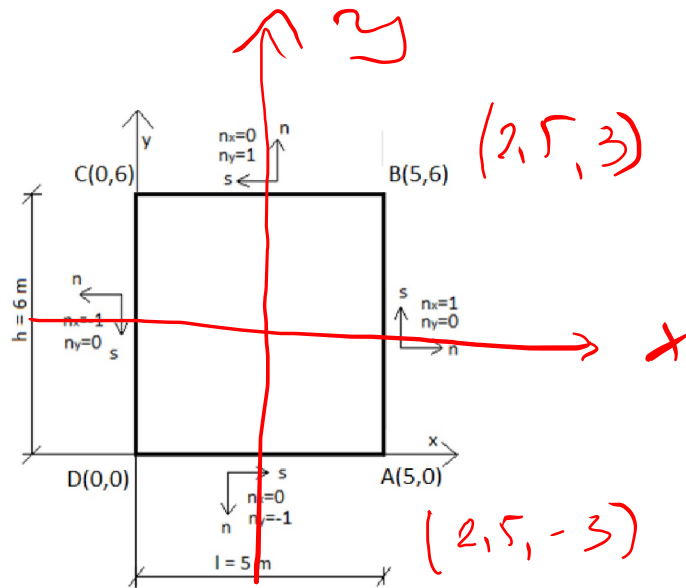
$$\frac{d^2F}{dy^2} = 80x \rightarrow \sigma_x = \mathbf{80x}$$

$$\tau_{xy} = \frac{-d^2F}{d_x d_y}$$

$$\tau_{xy} = \mathbf{-80y}$$

*per Luis*





$$p_{nn} = \sigma_x n_x^2 + 2\tau_{xy} n_x n_y + \sigma_y n_y^2$$

• Krawędź AB

$$A(5,0), B(5,6)$$

$$n_x = 1, n_y = 0$$

$$2\tau_{xy} n_x n_y = 0, \sigma_y n_y^2 = 0$$

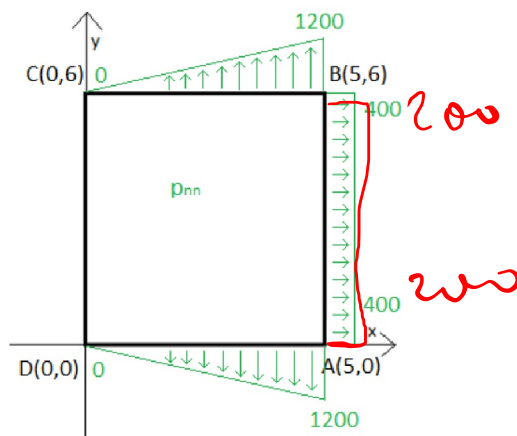
$$p_{nn,AB} = \sigma_x n_x^2 = 80x \cdot 1^2 = 80x$$

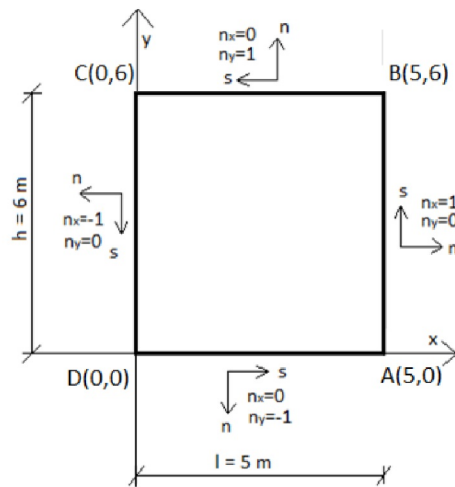
$$p_{nn,AB}^A = 80 \cdot 5 = 400 = 200$$

$$p_{nn,AB}^B = 80 \cdot 5 = 400 = 200$$

80 · 2,5

Wykres obciążenia tarczy  $p_{nn}$





$$p_{nn} = \sigma_x n_x^2 + 2\tau_{xy} n_x n_y + \sigma_y n_y^2$$

- Krawędź BC

$$B(5,6), C(0,6)$$

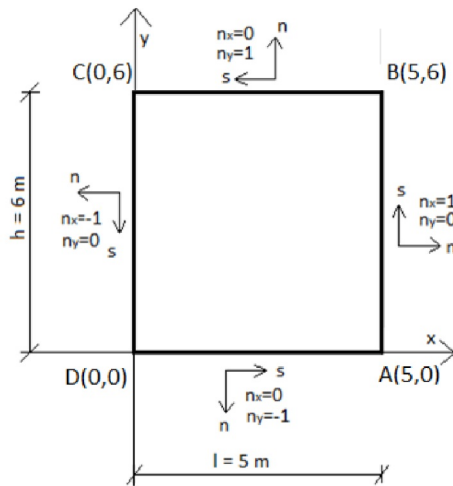
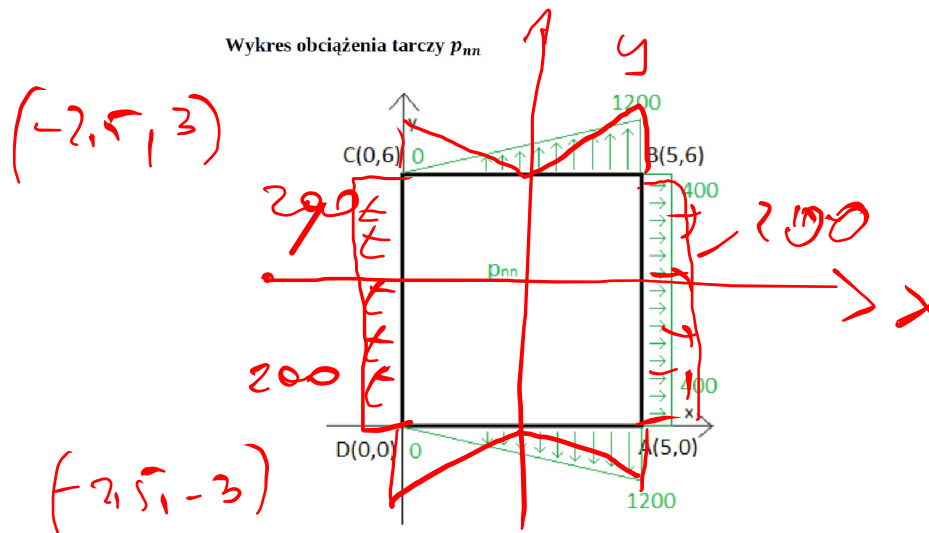
$$n_x = 0, n_y = 1$$

$$2\tau_{xy} n_x n_y = 0, \sigma_x n_x^2 = 0$$

$$p_{nn,AB} = \sigma_y n_y^2 = 240x \cdot 1^2 = 240x$$

$$p_{nn,BC}^B = 240 \cdot 5 = 1200$$

$$p_{nn,BC}^C = 240 \cdot 0 = 0$$



$$p_{nn} = \sigma_x n_x^2 + 2\tau_{xy} n_x n_y + \sigma_y n_y^2$$

• Krawędź CD

$$C(0,6), D(0,0)$$

$$n_x = -1, n_y = 0$$

$$2\tau_{xy} n_x n_y = 0, \sigma_y n_y^2 = 0$$

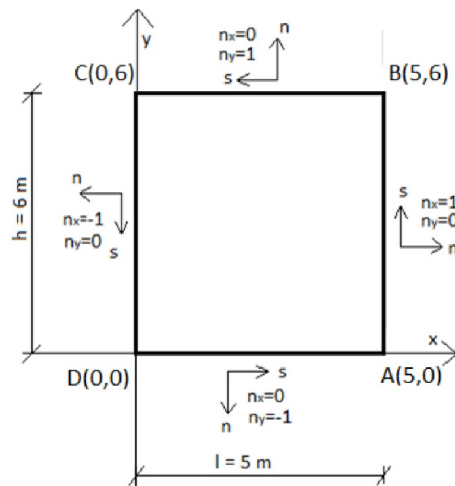
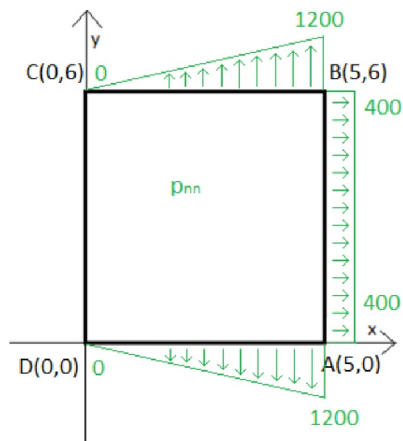
$$p_{nn,CD} = \sigma_x n_x^2 = 80x \cdot (-1)^2 = 80x$$

$$p_{nn,CD}^C = 80 \cdot 0 = 0$$

$$p_{nn,CD}^D = 80 \cdot 0 = 0$$

$$80 \cdot 2.5 = 200$$

Wykres obciążenia tarczy  $p_{nn}$



$$p_{nn} = \sigma_x n_x^2 + 2\tau_{xy} n_x n_y + \sigma_y n_y^2$$

- Krawędź DA

$$D(0,0), A(5,0)$$

$$n_x = 0, n_y = -1$$

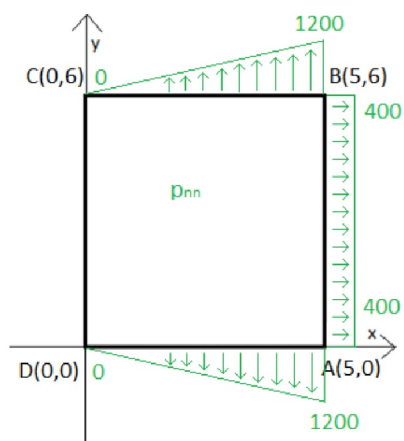
$$2\tau_{xy} n_x n_y = 0, \sigma_x n_x^2 = 0$$

$$p_{nn,DA} = \sigma_y n_y^2 = 240x \cdot (-1)^2 = 240x$$

$$p_{nn,DA}^D = 240 \cdot 0 = 0$$

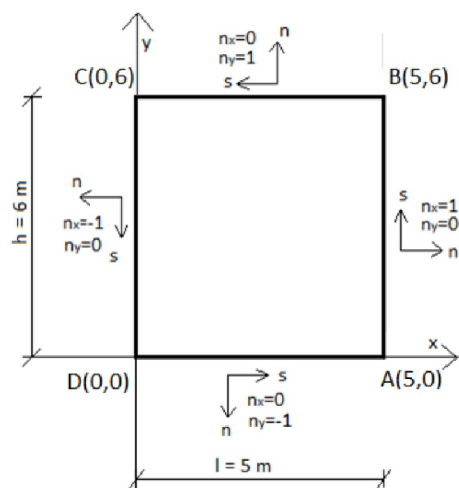
$$p_{nn,DA}^A = 240 \cdot 5 = 1200$$

Wykres obciążenia tarczy  $p_{nn}$



### Obciążenia tarczy $p_{ns}$

$$p_{ns} = (\sigma_y - \sigma_x)n_x n_y + \tau_{xy}(n_x^2 - n_y^2)$$



- **Krawędź AB**

$$A(5,0), B(5,6)$$

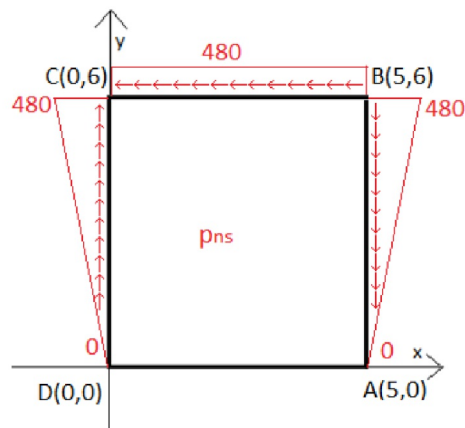
$$n_x = 1, n_y = 0$$

$$(\sigma_y - \sigma_x)n_x n_y = 0$$

$$p_{ns,AB} = \tau_{xy}(n_x^2 - n_y^2) = -80y \cdot (1^2 - 0^2) = -80y \cdot 1 = -80y$$

$$p_{ns,AB}^A = -80 \cdot 0 = 0$$

$$p_{ns,AB}^B = -80 \cdot 6 = -480$$



- **Krawędź BC**

$$B(5,6), C(0,6)$$

$$n_x = 0, n_y = 1$$

$$(\sigma_y - \sigma_x)n_x n_y = 0$$

$$p_{ns,BC} = \tau_{xy}(n_x^2 - n_y^2) = -80y \cdot (0^2 - 1^2) = -80y \cdot (-1) = 80y$$

$$p_{ns,BC}^B = 80 \cdot 6 = 480$$

$$p_{ns,BC}^C = 80 \cdot 6 = 480$$

- **Krawędź CD**

$$C(0,6), D(0,0)$$

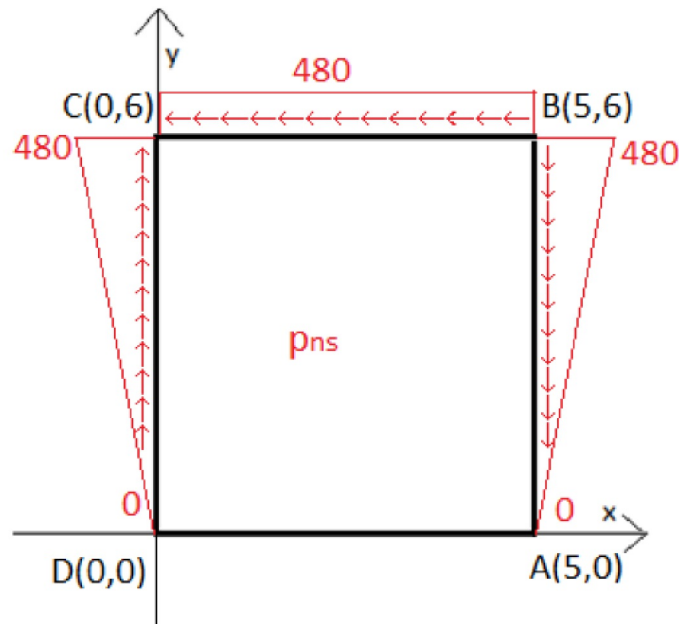
$$n_x = -1, n_y = 0$$

$$(\sigma_y - \sigma_x)n_x n_y = 0$$

$$p_{ns,CD} = \tau_{xy}(n_x^2 - n_y^2) = -80y \cdot ((-1)^2 - 0^2) = -80y \cdot 1 = -80y$$

$$p_{ns,CD}^C = -80 \cdot 6 = -480$$

$$p_{ns,CD}^D = -80 \cdot 0 = 0$$



- Krawędź DA

$$D(0,0), A(5,0)$$

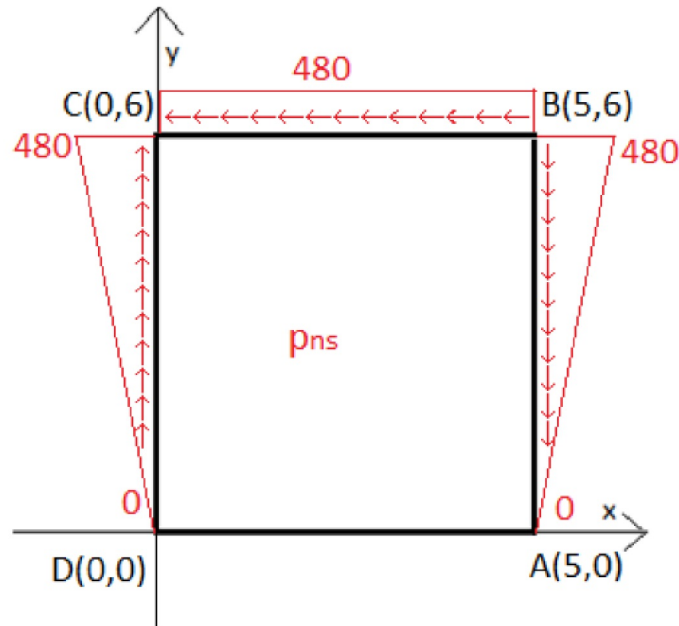
$$n_x = 0, n_y = -1$$

$$(\sigma_y - \sigma_x)n_x n_y = 0$$

$$p_{ns,DA} = \tau_{xy}(n_x^2 - n_y^2) = -80y \cdot (0^2 - (-1)^2) = -80y \cdot (-1) = 80y$$

$$p_{ns,DA}^D = 80 \cdot 0 = 0$$

$$p_{ns,DA}^A = 80 \cdot 0 = 0$$

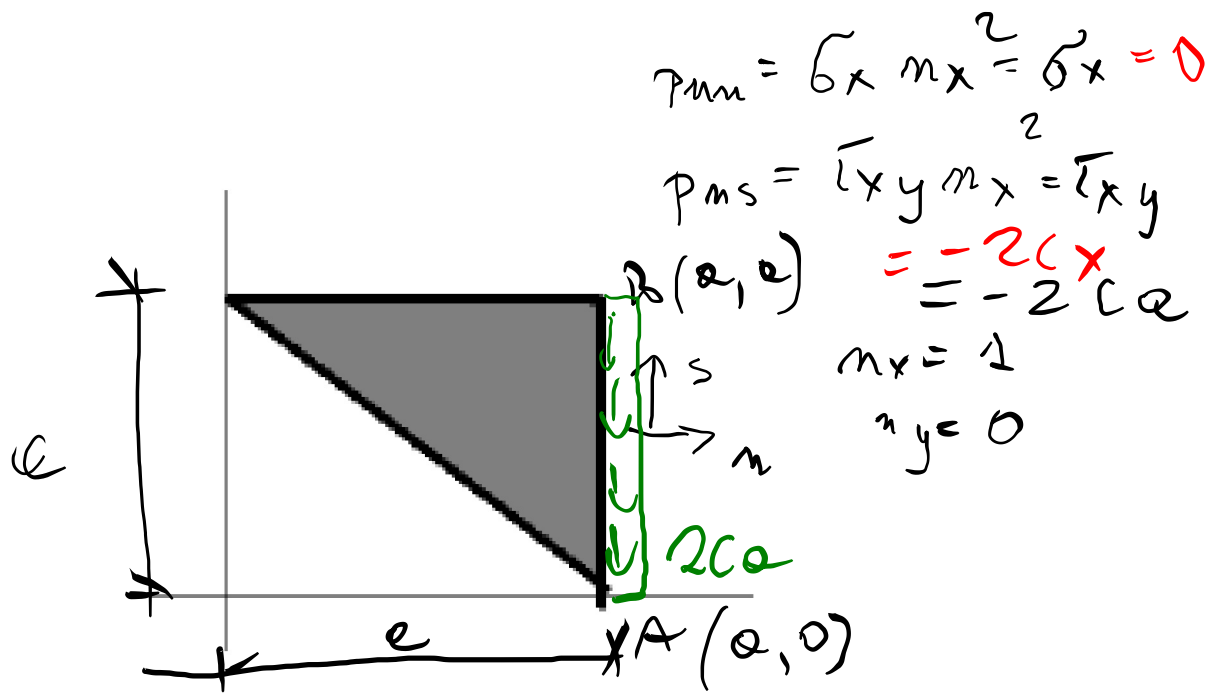






$$p_{nn} = \sigma_x n_x^2 + 2\tau_{xy} n_x n_y + \sigma_y n_y^2$$

$$p_{ns} = (\sigma_y - \sigma_x) n_x n_y + \tau_{xy} (n_x^2 - n_y^2)$$



$$p_{nn} = \sigma_x n_x^2 + 2\tau_{xy} n_x n_y + \sigma_y n_y^2$$

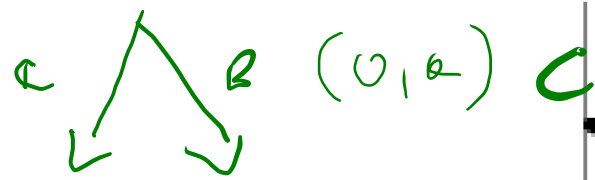
$$p_{ns} = (\sigma_y - \sigma_x) n_x n_y + \tau_{xy} (n_x^2 - n_y^2)$$

$$p_{nn} = \sigma_y = 2C_y = 2E\epsilon_y$$

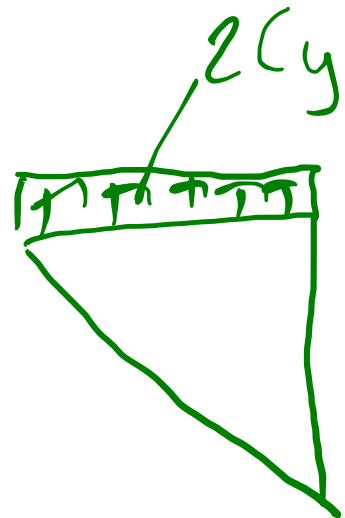
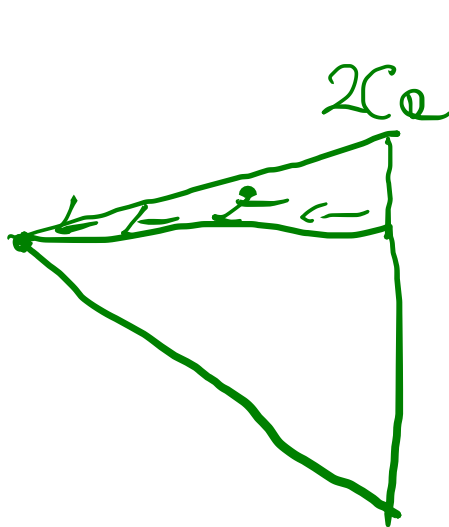
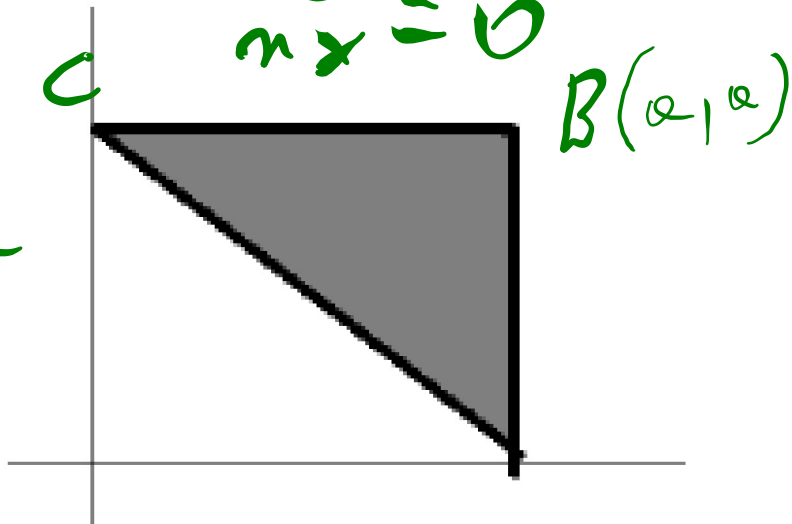
$$p_{ns} = -\tau_{xy} = 2C_x$$

$$n_y = 1$$

$$n_x = 0$$



$$p_{nn} = 0 \quad p_{ns} = 2C_x$$



$$\sigma_A \rightarrow p_{nn} = -2C\sigma$$

$$p_{ss} = C\sigma$$

AC

$$\sigma_x = 0$$

$$p_{nn} = \sigma_x n_x^2 + 2\tau_{xy} n_x n_y + \sigma_y n_y^2$$

$$p_{ns} = (\sigma_y - \sigma_x) n_x n_y + \tau_{xy} (n_x^2 - n_y^2)$$

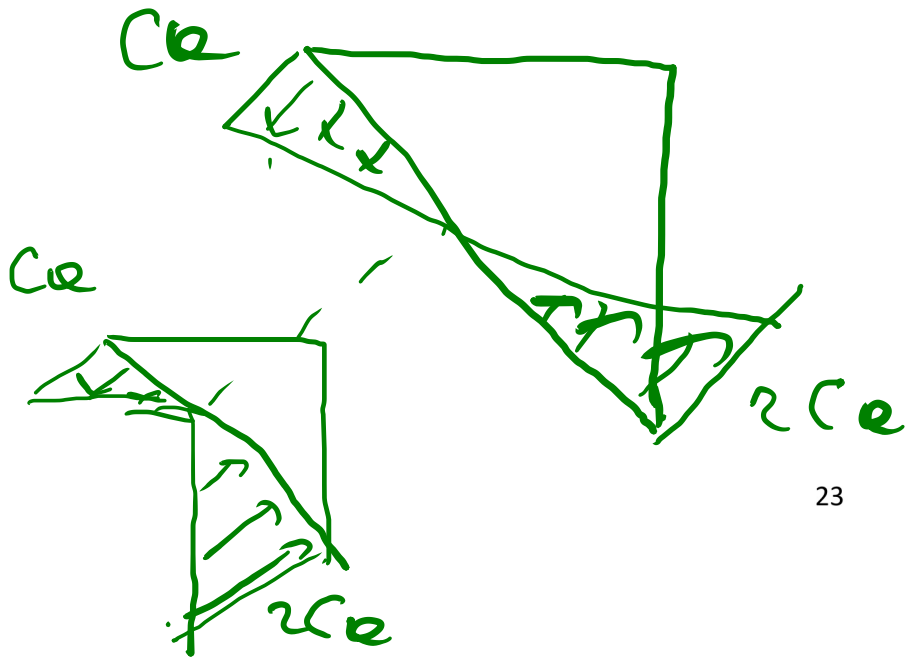
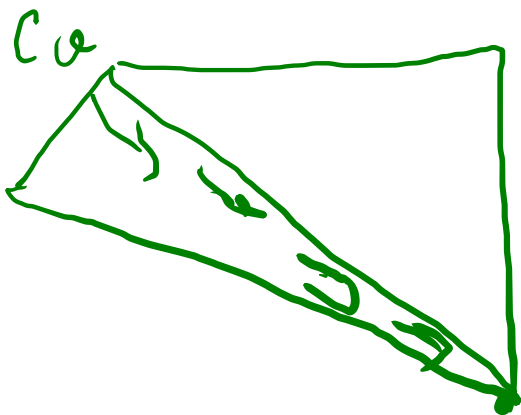
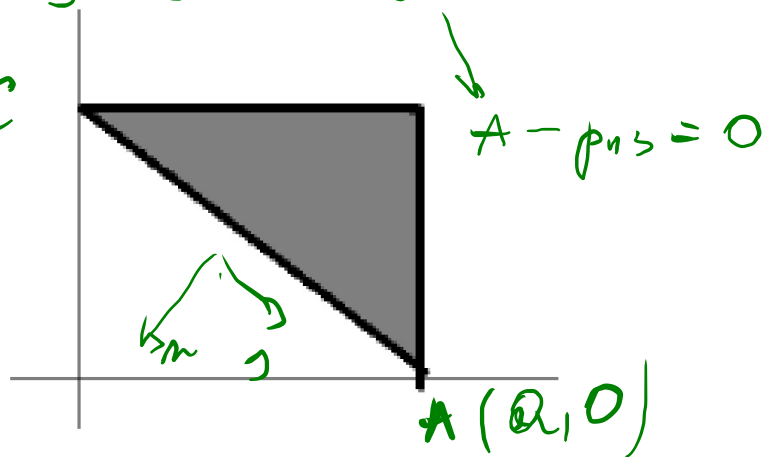
$$p_{nn} = 2 \cdot \tau_{xy} \cdot \left(\frac{\sqrt{2}}{2}\right)^2 + \sigma_y \left(\frac{\sqrt{2}}{2}\right)^2 = -2C\sigma + C\sigma$$

$$p_{ns} = \sigma_x \cdot \left(\frac{\sqrt{2}}{2}\right)^2 + \tau_{xy} \cdot 0 = C\sigma \rightarrow p_{ns} = C\sigma$$

(0,1) C

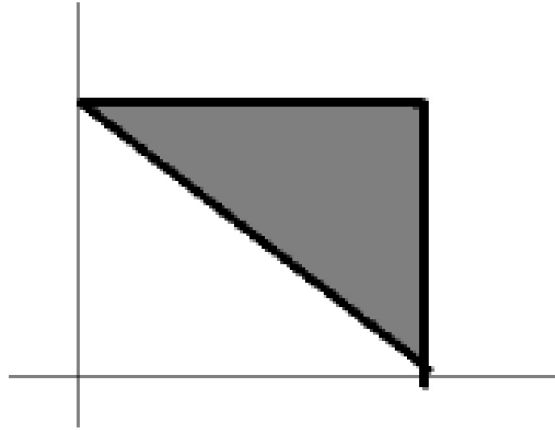
$$n_x = -\frac{\sqrt{2}}{2}$$

$$n_y = -\frac{\sqrt{2}}{2}$$



$$p_{nn} = \sigma_x n_x^2 + 2\tau_{xy} n_x n_y + \sigma_y n_y^2$$

$$p_{ns} = (\sigma_y - \sigma_x) n_x n_y + \tau_{xy} (n_x^2 - n_y^2)$$



**PRZYKŁAD 3**

Obliczyć i narysować obciążenie tarczy:

$F(X,Y) = C \cdot x \cdot y^2$

$\sigma_x = 2Cx$

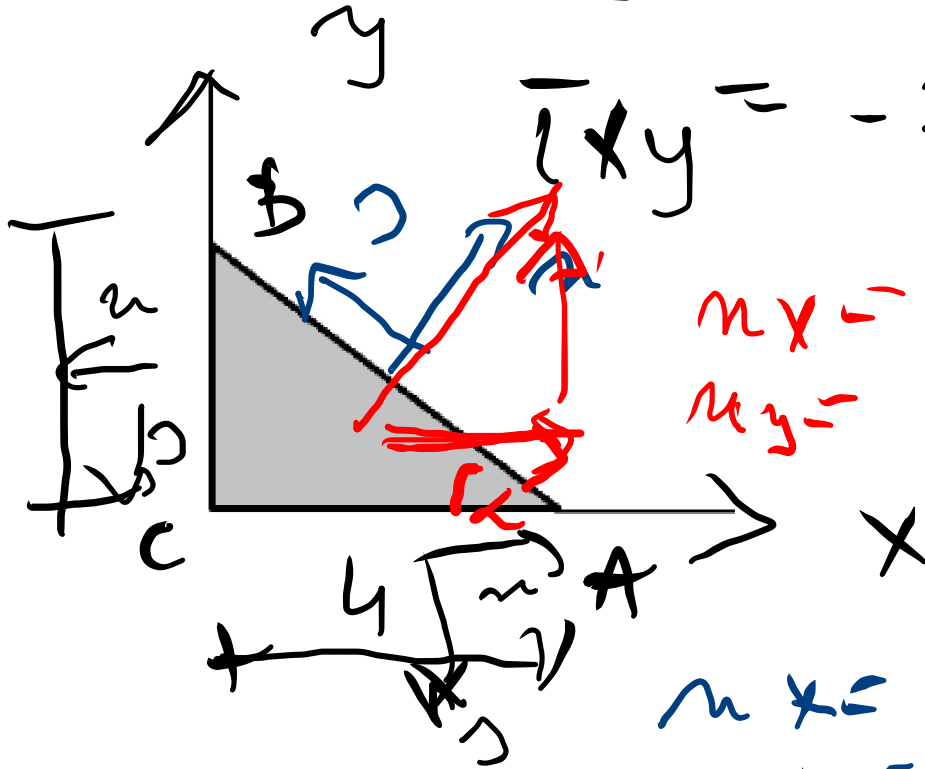
$\sigma_y = 0$

$\tau_{xy} = -2Cy$

$n_x = -1$

$n_y = 0$

3



$n_x = -$   
 $n_y = -$

$n_x = 0$   
 $n_y = -1$

$p_{nn} = \sigma_x n_x^2 + 2\tau_{xy} n_x n_y + \sigma_y n_y^2$

$p_{ns} = (\sigma_y - \sigma_x) n_x n_y + \tau_{xy} (n_x^2 - n_y^2)$

$\cos \alpha = \frac{3}{5}$

$\cos \alpha = \frac{4}{5}$

$n_x = \frac{3}{5}$

$n_y = \frac{4}{5}$

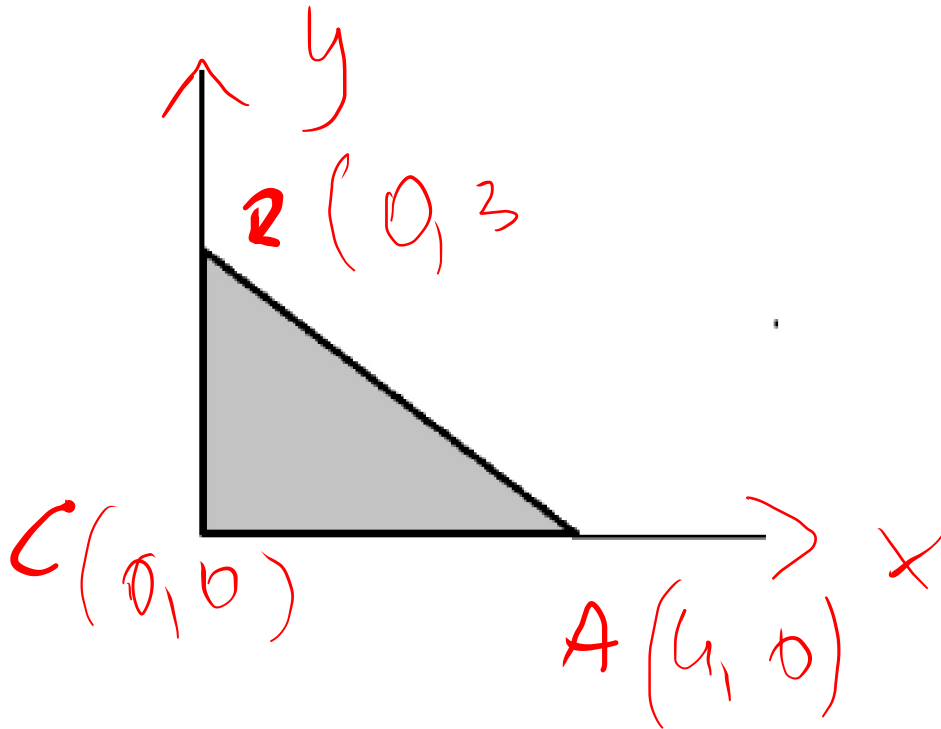
AB

$$p_{nn} = 5 \times \left(\frac{3}{5}\right)^2 + 2 \bar{x} \bar{y} \frac{3}{5} \cdot \frac{4}{5}$$

$$p_{ns} = (5 \times - 5 \times) \cdot \frac{3}{5} \cdot \frac{4}{5} + \bar{x} \bar{y} \left( \left(\frac{3}{5}\right)^2 - \left(\frac{4}{5}\right)^2 \right)$$

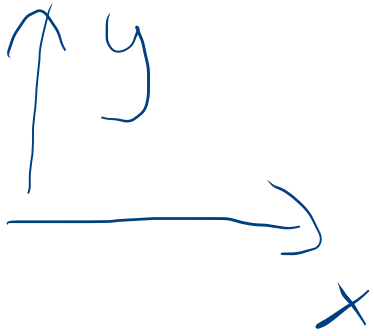
$$p_{nn} = \sigma_x n_x^2 + 2\tau_{xy} n_x n_y + \sigma_y n_y^2$$

$$p_{ns} = (\sigma_y - \sigma_x) n_x n_y + \tau_{xy} (n_x^2 - n_y^2)$$



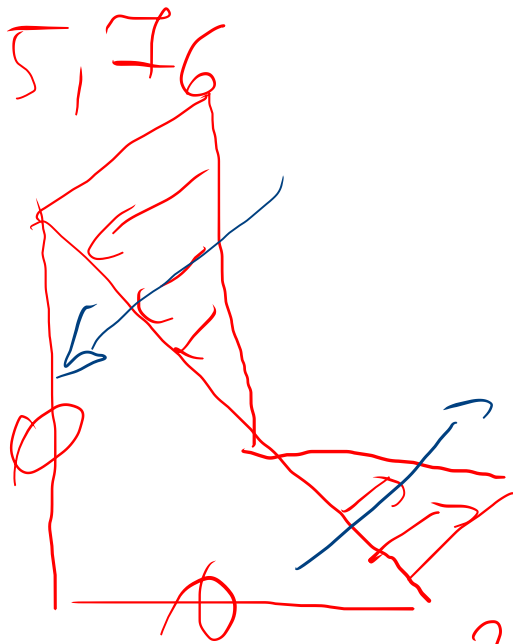
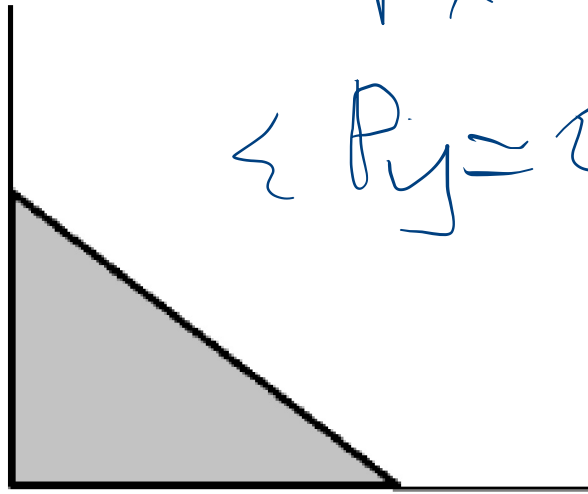
$$p_{nn} = \sigma_x n_x^2 + 2\tau_{xy} n_x n_y + \sigma_y n_y^2$$

$$p_{ns} = (\sigma_y - \sigma_x) n_x n_y + \tau_{xy} (n_x^2 - n_y^2)$$



$$\sum F_x = 0$$

$$\sum F_y = 0$$



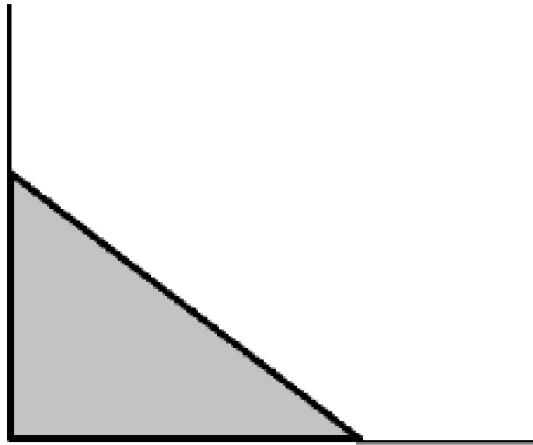
4,68





$$p_{nn} = \sigma_x n_x^2 + 2\tau_{xy} n_x n_y + \sigma_y n_y^2$$

$$p_{ns} = (\sigma_y - \sigma_x) n_x n_y + \tau_{xy} (n_x^2 - n_y^2)$$



$$p_{nn} = \sigma_x n_x^2 + 2\tau_{xy} n_x n_y + \sigma_y n_y^2$$

$$p_{ns} = (\sigma_y - \sigma_x) n_x n_y + \tau_{xy} (n_x^2 - n_y^2)$$

