

# Keysight 34410A/11A 6 ½ Digit Multimeter

(includes the L4411A 1U DMM)



NOTICE: This document contains references to Agilent Technologies. Agilent's former Test and Measurement business has become Keysight Technologies. For more information, go to [www.keysight.com](http://www.keysight.com).



# Notices

© Keysight Technologies 2005-2014

No part of this manual may be reproduced in any form or by any means (including electronic storage and retrieval or translation into a foreign language) without prior agreement and written consent from Keysight Technologies as governed by United States and international copyright laws.

## Manual Part Number

34410-90001

## Edition

Edition 6, August 2014

Printed in Malaysia

Keysight Technologies  
1400 Fountaingrove Parkway  
Santa Rosa, CA 95403

Microsoft® and Windows® are U.S. registered trademarks of Microsoft Corporation.

## Software Revision

This guide is valid for the firmware that was installed in the instrument at the time of manufacture. However, upgrading the firmware may add or change product features. For the latest firmware and documentation, go to the product page at:

[www.keysight.com/find/34410A](http://www.keysight.com/find/34410A)

or

[www.keysight.com/find/34411A](http://www.keysight.com/find/34411A)

or

[www.keysight.com/find/L4411A](http://www.keysight.com/find/L4411A)

## Warranty

**The material contained in this document is provided “as is,” and is subject to being changed, without notice, in future editions. Further, to the maximum extent permitted by applicable law, Keysight disclaims all warranties, either express or implied, with regard to this manual and any information contained herein, including but not limited to the implied warranties of merchantability and fitness for a particular purpose. Keysight shall not be liable for errors or for incidental or consequential damages in connection with the furnishing, use, or performance of this document or of any information contained herein. Should Keysight and the user have a separate written agreement with warranty terms covering the material in this document that conflict with these terms, the warranty terms in the separate agreement shall control.**

## Technology Licenses

The hardware and/or software described in this document are furnished under a license and may be used or copied only in accordance with the terms of such license.

## Restricted Rights Legend

U.S. Government Restricted Rights. Software and technical data rights granted to the federal government include only those rights customarily provided to end user customers. Keysight provides this customary commercial license in Software and technical data pursuant to FAR 12.211 (Technical Data) and 12.212 (Computer Software) and, for the Department of Defense, DFARS 252.227-7015 (Technical Data - Commercial Items) and DFARS 227.7202-3 (Rights in Commercial Computer Software or Computer Software Documentation).

## Safety Notices

### CAUTION

A **CAUTION** notice denotes a hazard. It calls attention to an operating procedure, practice, or the like that, if not correctly performed or adhered to, could result in damage to the product or loss of important data. Do not proceed beyond a **CAUTION** notice until the indicated conditions are fully understood and met.

### WARNING

A **WARNING** notice denotes a hazard. It calls attention to an operating procedure, practice, or the like that, if not correctly performed or adhered to, could result in personal injury or death. Do not proceed beyond a **WARNING** notice until the indicated conditions are fully understood and met.

# Safety Information

Do not defeat power cord safety ground feature. Plug in to a grounded (earthed) outlet.

Do not use product in any manner not specified by the manufacturer.

Do not install substitute parts or perform any unauthorized modification to the product. Return the product to a Keysight Technologies Sales and Service Office for service and repair to ensure that safety features are maintained.

## Safety Symbols



Earth Ground



Chassis Ground



Risk of electric shock



Refer to manual for additional safety information

**CAT II  
(300V)**

IEC Measurement Category II. Inputs may be connected to mains (up to 300 VAC) under Category II overvoltage conditions.

## WARNING

**Main Power and Test Input Disconnect: Unplug instrument from wall outlet, remove power cord, and remove all probes from all terminals before servicing. Only qualified, service-trained personnel should remove the cover from the instrument.**

## WARNING

**Line and Current Protection Fuses: For continued protection against fire, replace the line fuse and the current-protection fuse only with fuses of the specified type and rating.**

## WARNING

**Front/Rear Switch: Do not change the position of the Front/Rear switch on the front panel while signals are present on either the front or rear set of terminals. The switch is not intended as an active multiplexer. Switching while high voltages or currents are present may cause instrument damage and lead to the risk of electric shock.**

## WARNING

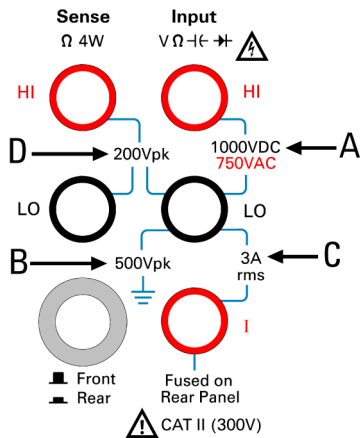
**IEC Measurement Category II. The HI and LO input terminals may be connected to mains in IEC Category II installations for line voltages up to 300 VAC. To avoid the danger of electric shock, do not connect the inputs to mains for line voltages above 300 VAC. See "IEC Measurement Category II Overvoltage Protection" on the following page for further information.**

## WARNING

**Protection Limits: To avoid instrument damage and the risk of electric shock, do not exceed any of the Protection Limits defined in the following section.**

## Protection Limits

The Keysight 34410A/11A and L4411A Digital Multimeters provide protection circuitry to prevent damage to the instrument and to protect against the danger of electric shock, provided the Protection Limits are not exceeded. To ensure safe operation of the instrument, do not exceed the Protection Limits shown on the front and rear panel, and defined below:



**Note:** The front-panel terminals are shown above. The rear-panel terminals are identical. The Front/Rear switch selects the terminal set to be used. *Do not operate this switch while signals are present on the front or rear terminals.* The current-protection fuse is on the rear panel.

## Input Terminal Protection Limits

Protection Limits are defined for the input terminals:

**Main Input (HI and LO) Terminals.** The HI and LO input terminals are used for voltage, resistance, capacitance, and diode test measurements. Two Protection Limits are defined for these terminals:

**HI to LO Protection Limit.** The Protection Limit from HI to LO ("A" in the figure at left) is 1000 VDC or 750 VAC, which is also the maximum voltage measurement. This limit can also be expressed as 1000 Vpk maximum.

**LO to Ground Protection Limit.** The LO input terminal can safely "float" a maximum of 500 Vpk relative to ground. This is Protection Limit "B" in the figure.

As is implied by the above limits, the Protection Limit for the HI input terminal is a maximum of 1500 Vpk relative to ground.

**Current Input Terminal.** The current input ("I") terminal has a Protection Limit of 3A (rms) maximum current flowing from the LO input terminal. This is Protection Limit "C" in the figure. Note that the current input terminal will be at approximately the same voltage as the LO terminal.

**Note:** The current-protection circuitry includes a fuse on the rear panel. To maintain protection, replace this fuse only with a fuse of the specified type and rating.

## Sense Terminal Protection Limits

The HI and LO sense terminals are used only for four-wire resistance and temperature measurements (" $\Omega$  4W"). The Protection Limit is 200 Vpk for all of the terminal pairings ("D" in the figure):

- LO sense to LO input.
- HI sense to LO input.
- HI sense to LO sense.

**Note:** The 200 Vpk limit on the sense terminals is the Protection Limit. Operational voltages in resistance measurements are much lower — less than 10 V in normal operation.

## IEC Measurement Category II Overvoltage Protection

To protect against the danger of electric shock, the Keysight 34410A/11A and L4411A Digital Multimeters provide overvoltage protection for line-voltage mains connections meeting **both** of the following conditions:

The HI and LO input terminals are connected to the mains under Measurement Category II conditions, defined below, **and**

The mains are limited to a maximum line voltage of 300 VAC.

IEC Measurement Category II includes electrical devices connected to mains at an outlet on a branch circuit. Such devices include most small appliances, test equipment, and other devices that plug into a branch outlet or socket. The 34410A/11A and L4411A may be used to make measurements with the HI and LO inputs connected to mains in such devices, or to the branch outlet itself (up to 300 VAC). However, the 34410A/11A and L4411A may not be used with its HI and LO inputs connected to mains in permanently installed electrical devices such as the main circuit-breaker panel, sub-panel disconnect boxes, or permanently wired motors. Such devices and circuits are subject to overvoltages that may exceed the protection limits of the 34410A/11A and L4411A.

**Note:** Voltages above 300 VAC may be measured only in circuits that are isolated from mains. However, transient overvoltages are also present on circuits that are isolated from mains. The Keysight 34410A/11A and L4411A are designed to safely withstand occasional transient overvoltages up to 2500 Vpk. Do not use this equipment to measure circuits where transient overvoltages could exceed this level.

## Additional Notices

### Waste Electrical and Electronic Equipment (WEEE) Directive 2002/96/EC

This product complies with the WEEE Directive (2002/96/EC) marking requirement. The affixed product label (see below) indicates that you must not discard this electrical/electronic product in domestic household waste.

**Product Category:** With reference to the equipment types in the WEEE directive Annex 1, this product is classified as a "Monitoring and Control instrumentation" product.

Do not dispose in domestic household waste.

To return unwanted products, contact your local Keysight office, or see [www.keysight.com/environment/product](http://www.keysight.com/environment/product) for more information.



### Keysight 34138A Test Lead Set

The Keysight 34410A/11A is provided with a Keysight 34138A Test Lead Set, described below.

#### Test Lead Ratings

Test Leads - 1000V, 15A

Fine Tip Probe Attachments - 300V, 3A

Mini Grabber Attachment - 300V, 3A

SMT Grabber Attachments - 300V, 3A

#### Operation

The Fine Tip, Mini Grabber, and SMT Grabber attachments plug onto the probe end of the Test Leads.

#### Maintenance

If any portion of the Test Lead Set is worn or damaged, do not use. Replace with a new Keysight 34138A Test Lead Set.

### WARNING

**If the Test Lead Set is used in a manner not specified by Keysight Technologies, the protection provided by the Test Lead Set may be impaired. Also, do not use a damaged or worn Test Lead Set. Instrument damage or personal injury may result.**

## Declaration of Conformity

Declarations of Conformity for this product and for other Keysight products may be downloaded from the Keysight Regulatory Web site:

<http://regulations.products.keysight.com/DoC/search.htm>



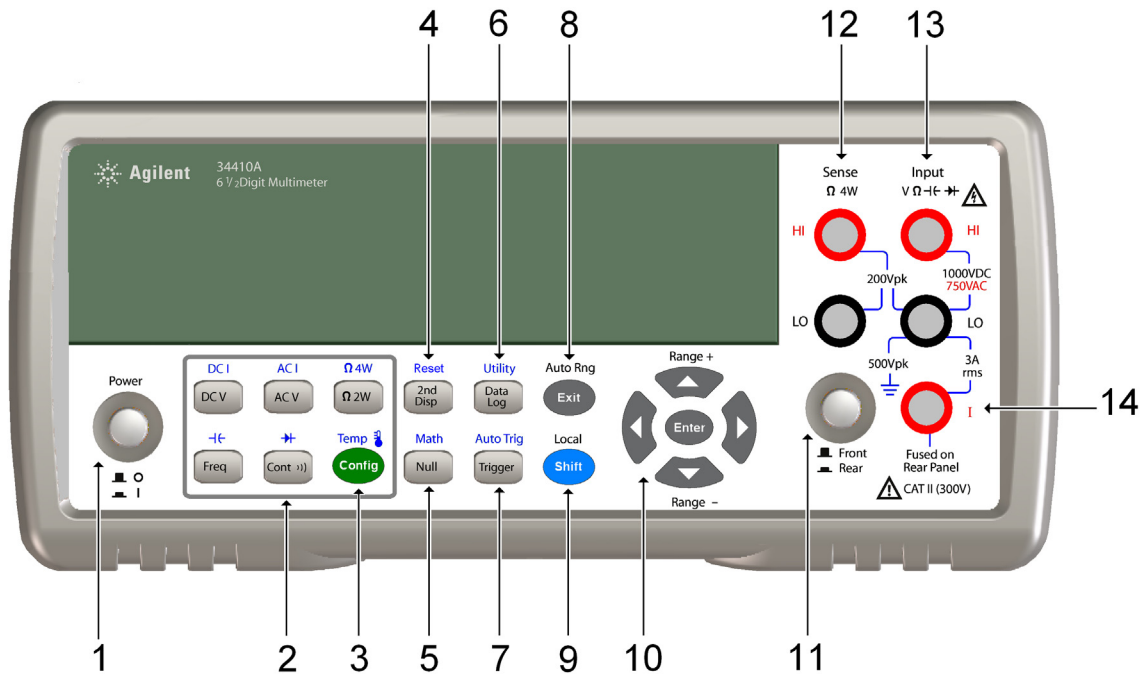
## Keysight 34410A/11A/L4411A at a Glance

The Keysight 34410A, 34411A, and L4411A multimeters provide 6½-digit, high-performance dc and ac measurements.

- **Voltage and Current Measurements.** DC and AC<sub>(true-rms)</sub>.
- **Resistance Measurements.** 2-wire and 4-wire.
- **Continuity and Diode Testing.**
- **Frequency and Period Measurements.**
- **Capacitance Measurements.**
- **Temperature Measurements.** Thermistor and RTD.
- **Auto and Manual Ranging.**
- **Math Features.** Null, dB, dBm, limits, and statistics.
- **Data Logging.** Into *non-volatile* instrument memory.
- **Instrument State Storage.** User-defined named states.
- **GPIB (IEEE-488), USB, and LAN.** Three standard remote interfaces. *LXI Class C Compliant*.
- **Web Interface.** Direct web browser access to instrument.
- **SCPI Compatibility.** For easy instrument programming.
- **Voltmeter Complete and External Trigger Signals.**  
Synchronize with other instruments in your test system.

*Note: This manual covers operation of the Keysight 34410A, 34411A, and L4411A 6½ Digit Multimeters. The features described in this manual, except where otherwise noted, apply to each of the multimeters.*

## The Front Panel at a Glance (34410A/11A)

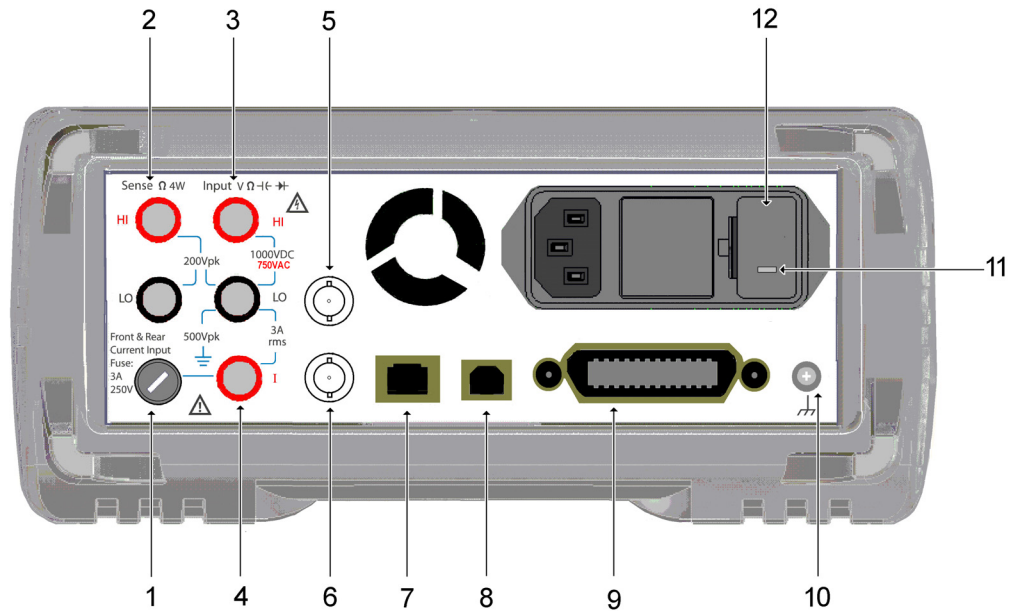


- |                              |   |
|------------------------------|---|
| 1 On/Off Switch              | 8 Exit Key (Auto Range)                                     |
| 2 Measurement Function Keys  | 9 Shift Key (Local)   |
| 3 Configuration Key          | 10 Menu Navigation Keypad (Range)                           |
| 4 Second Display Key (Reset) | 11 Front/Rear Switch  |
| 5 Null Key (Math Functions)  | 12 HI and LO Sense Terminals (4-wire measurements)          |
| 6 Data Logger Key (Utility)  | 13 HI and LO Input Terminals (all functions except current) |
| 7 Trigger Key (Auto Trig)    | 14 Current Input Terminal (ac and dc current)               |

### WARNING

**Front/Rear Switch:** Do not change the position of the Front/Rear switch on the front panel while signals are present on either the front or rear set of terminals. This switch is not intended as an active multiplexer. Switching while high voltages or currents are present may cause instrument damage and lead to the risk of electric shock.

## The Rear Panel at a Glance (34410A/11A)

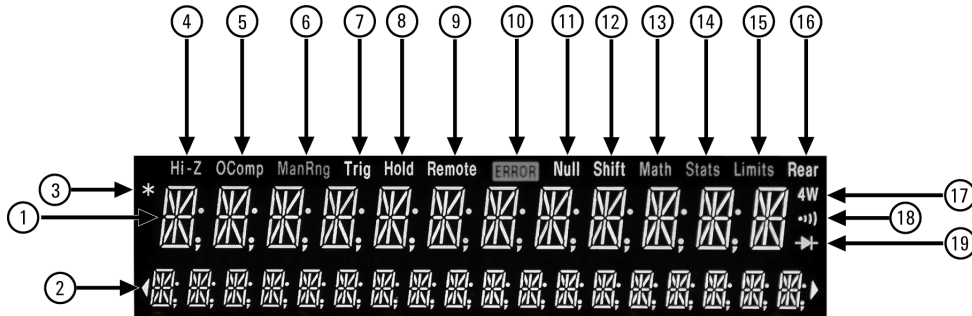


- 1 Current Input Fuse (front and rear)
- 2 HI and LO Sense Terminals (4-wire resistance and temperature)
- 3 HI and LO Input Terminals (voltage, resistance, and other functions)
- 4 Current Input Terminal (ac current and dc current only)
- 5 External Trigger Input (BNC)
- 6 Voltmeter Complete Output (BNC)
- 7 LAN Interface Connector
- 8 USB Interface Connector
- 9 GPIB Interface Connector
- 10 Chassis Ground
- 11 Power-Line Voltage Setting
- 12 Power-Line Fuse-Holder Assembly

### WARNING

For protection from electrical shock, the power cord ground must not be defeated. For continued protection from fire, replace fuses only with fuses of the specified type and rating.

## The Display at a Glance (34410A/11A)



### Alphanumeric Displays:

- 1 Primary display line
- 2 Secondary display line

### Annunciators:

- 3 \* (measurement in progress)
- 4 **Hi-Z** (high input impedance, Vdc only)
- 5 **OComp** (offset compensation)
- 6 **ManRng** (manual ranging)
- 7 **Trig** (wait-for-trigger state)
- 8 **Hold** (reading hold)
- 9 **Remote** (remote interface operation)
- 10 **Error** (error in queue)
- 11 **Null** (null function enabled)

### Annunciators:

- 12 **Shift** (shift key just pressed)
- 13 **Math** (dB or dBm function enabled)
- 14 **Stats** (statistics functions enabled)
- 15 **Limits** (limit-test function enabled)
- 16 **Rear** (rear-panel terminals active)
- 17 **4W** (four-wire ohms or temperature)
- 18 **)))** (continuity test function enabled)
- 19 **▶|** (diode-check function enabled)

The following key refers to the primary front-panel display.

-H.DDD,DDD EFFF

### Front-panel display format.

- Negative sign or blank (positive)
- H " 1/2 " digit (0 or 1)
- D Numeric digits
- E Exponent ( m, k, M )
- F Measurement units ( VDC, OHM, HZ, dB )

For further information, see Chapter 2, "Features and Functions".

## In This Guide...

### **1 Quick Start**

In this chapter you prepare the multimeter for use and become familiar with the most common front-panel operations.

### **2 Features and Functions**

In this chapter you will find a detailed description of the multimeter's capabilities and operation. This chapter presents both front-panel and remote interface operation of the instrument.

Note. Refer to the *Keysight 34410A/11A/L4411A Programmer's Reference* help system for a detailed description of the SCPI commands.

### **3 Remote Interface**

This chapter describes how to connect the multimeter using a remote interface.

### **4 Measurement Tutorial**

This chapter discusses measurement techniques and considerations to help you reduce sources of error and obtain the best accuracy from your instrument.

### **5 Specifications**

This chapter lists the 34410A/11A/L4411A multimeter specifications and describes how to interpret these specifications.



# 1

## Quick Start

This chapter gives you a quick overview of the 34410A/11A multimeter's front panel and basic features. The examples will help you become familiar with your meter, its measuring functions, and basic operation.

<b>Basic Multimeter Operations</b>	<b>14</b>
<b>Preparing the Multimeter for Use</b>	<b>14</b>
<b>Using the Front Panel (34410A/11A)</b>	<b>15</b>
Front-Panel Keys	15
Front-Panel Display Shortcuts	15
<b>Making Basic Measurements (34410A/11A)</b>	<b>17</b>
To Measure DC Voltage	17
To Measure AC Voltage	18
To Measure DC Current	18
To Measure AC Current	18
To Make a 2-Wire Resistance Measurement	19
To Make a 4-wire Resistance Measurement	19
To Measure Frequency	20
To Measure Period	20
To Measure Capacitance	21
To Make a 2-Wire Temperature Measurement	21
To Make a 4-Wire Temperature Measurement	22
To Test Continuity	22
To Check Diodes	23
<b>Other Basics of Operation</b>	<b>23</b>
<b>If the Multimeter Does Not Turn On</b>	<b>24</b>
<b>To Replace the Power-Line Fuse (34410A/11A)</b>	<b>25</b>
<b>To Adjust the Carrying Handle</b>	<b>26</b>
<b>To Rack Mount the Multimeter (34410A/11A)</b>	<b>27</b>

## Basic Multimeter Operations

This section introduces the basics of the 34410A/11A multimeter, and how to use it.

### NOTE

For basic information unique to the L4411A, refer to the L4411A Getting Started Guide (p/n L4411-90001).

---

## Preparing the Multimeter for Use

To verify that your 34410A or 34411A multimeter is ready for use:

### 1 Check the list of supplied items.

Verify that you have received the following items with your multimeter. If anything is missing, contact your nearest Keysight Sales Office.

- Test Lead Set.
- Power Cord.
- USB 2.0 Cable.
- *Keysight 34410A/11A/L4411A Product Reference* CD-ROM.
- *Keysight Automation Ready (IO Libraries)* CD-ROM.
- *Certificate of Calibration*.

The product documentation, including the *Keysight 34410A/11A/L4411A Programmer's Reference Help* and the product manuals, are included on the *Product Reference* CD-ROM. Printed (hardcopy) manuals are optional, and included only if you ordered them.

### 2 Connect the power cord and turn on the multimeter.

The front-panel display will light up while the multimeter performs its power-on self-test. The multimeter powers up in the dc voltage function with autoranging enabled (unless a previous user has configured power-up using a non-default stored state (see *"Multimeter State Storage"* on page 49).



## Using the Front Panel (34410A/11A)

This section introduces the 34410A/11A multimeter front panel.

### Front-Panel Keys

The front panel provides keys to select various functions and operations. Pressing a measurement function key (e.g. **DC V**) selects that function. Press **Config** to enter the configuration menu for the selected measurement function.

Most keys have a shifted function printed in blue above the key. To perform a shifted function, press **Shift**, and then press the key that has the desired label above it.

To view and select menu items, use the menu navigation keypad (for example the **Left Arrow** or **Right Arrow** keys). The current (or default) selection is displayed in **FULL BRIGHTNESS**. All other choices are displayed in **HALF BRIGHTNESS**. The selections on each menu level scroll, but do not wrap. Arrow annunciators on the second display line indicate additional selections to the left or right. To accept a selection, press **Enter**.

To set numeric parameters, use **Left Arrow** or **Right Arrow** to select a digit, and **Up Arrow** or **Down Arrow** to increase or decrease that digit.

### Front-Panel Display Shortcuts

Direct front panel shortcuts are provided for three commonly used display functions: ranging, digit masking, and integration time.

**Ranging.** The multimeter's manual range can be set directly from the navigation keypad.

To manually change the current multimeter range, press **Up Arrow** or **Down Arrow**. The **ManRng** annunciator will light, and the selected range (e.g. 100mV RANGE) will be briefly displayed on the second line.

**Digit Masking.** The navigation keypad provides a shortcut to mask (change the number of digits displayed) the reading on the main display, easing readability.

To enable digit masking during any measurement function, press **Shift Left Arrow** or **Shift Right Arrow**. **DIGIT MASK** will be displayed, along with a list of choices (3.5, 4.5, 5.5, 6.5 and AUTO) on the second display line. Press **Left Arrow** or **Right Arrow** to scroll through and select one of these settings, and then press **Enter**.

**Integration Time (Bandwidth, Gate Time).** Four measurement functions allow you to select the multimeter's integration time: dc voltage, dc current, resistance, and temperature. The ac voltage and current measurements allow you to select the ac signal filter (bandwidth). The frequency/period function allows you to select gate time. The navigation keypad provides a shortcut for quickly changing these settings.

- If the multimeter is configured to take the measurement using an integration time in *NPLCs*, pressing ◀ or ▶ during front panel measurement operations will increase or decrease the integration time setting.
- If either the ac voltage or ac current measurement function is selected, pressing ◀ or ▶ during front panel measurement operations will increase or decrease the bandwidth setting.
- If the frequency/period measurement function is selected, pressing ◀ or ▶ during front panel measurement operations will increase or decrease the gate time setting.

## Making Basic Measurements (34410A/11A)

This section introduces the many types of measurements that you can make with your 34410A/11A multimeter, and how to make connections for each measurement. *Most basic measurements can be taken using the factory default settings.* A more complete description of all multimeter functions, measurement parameter configuration and remote interface operation is provided in Chapter 2.

For each measurement, connect the test leads as shown. The test lead connections are the same for the front or rear set of terminals.

*Before making test lead connections,* use the **Front/Rear** button on the front panel to select either the front or rear set of terminals. The **Rear** annunciator lights if the rear terminals are selected.

### WARNING

**Do not press the Front/Rear button while signals are present on either the front or rear set of terminals. Switching while high voltages or currents are present can cause instrument damage, and may increase the risk of electric shock.**

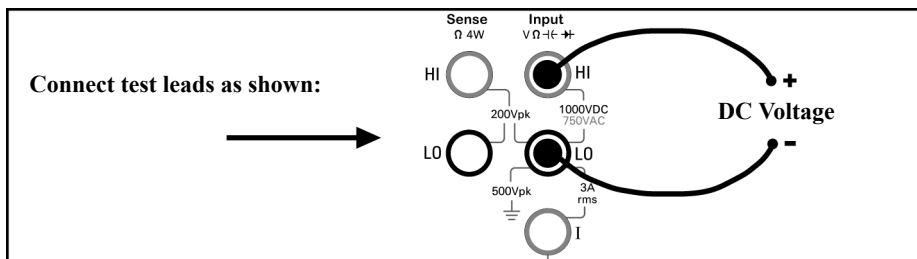
### NOTE

For basic measurement connection information unique to the L4411A, refer to the L4411A Getting Started Guide (p/n L4411-90001).

### To Measure DC Voltage

Press **DC V** to select the dc voltage function.

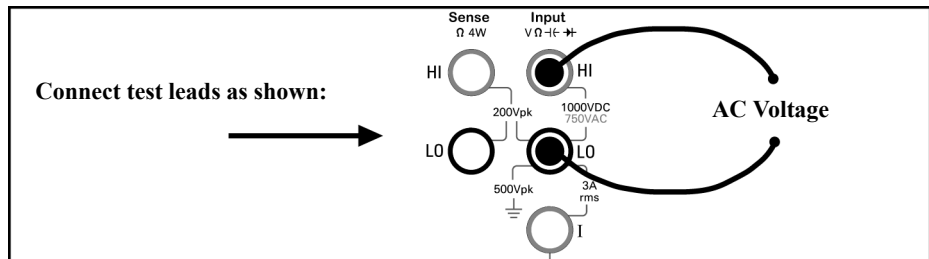
- Ranges: 100 mV, 1 V, 10 V, 100 V, 1000 V
- Configurable parameters: INTEGRATION, RANGE, INPUT Z (input impedance), AUTO ZERO, NULL, and NULL VALUE



### To Measure AC Voltage

Press **AC V** to select the ac voltage function.

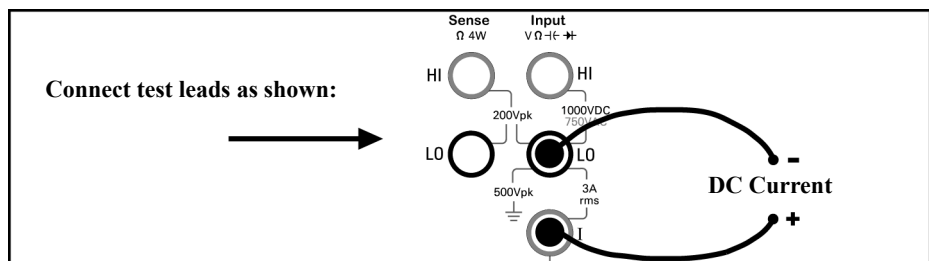
- Ranges: 100 mV, 1 V, 10 V, 100 V, 750 V
- AC Technique: true-RMS, ac-coupled
- Configurable parameters: AC FILTER, RANGE, NULL and NULL VALUE



### To Measure DC Current

Press **Shift DC V (DC I)** to select the dc current function.

- Ranges: 100 mA, 1 mA, 10 mA, 100 mA, 1 A, 3 A
- Configurable parameters: INTEGRATION, RANGE, AUTO ZERO, NULL, and NULL VALUE

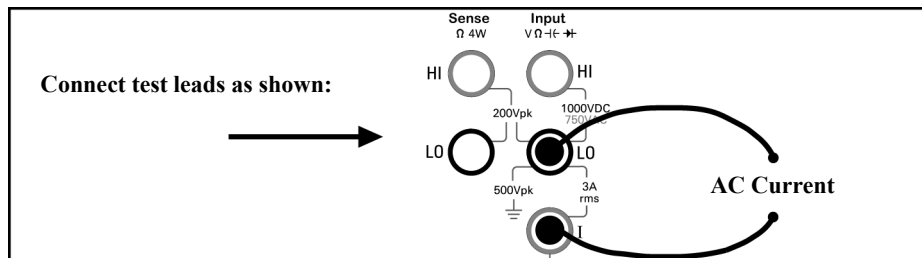


### To Measure AC Current

Press **Shift AC V (AC I)** to select the ac current function.

- Ranges: 100 mA, 1 mA, 10 mA, 100 mA, 1 A, 3 A
- AC Technique: true-RMS, ac-coupled

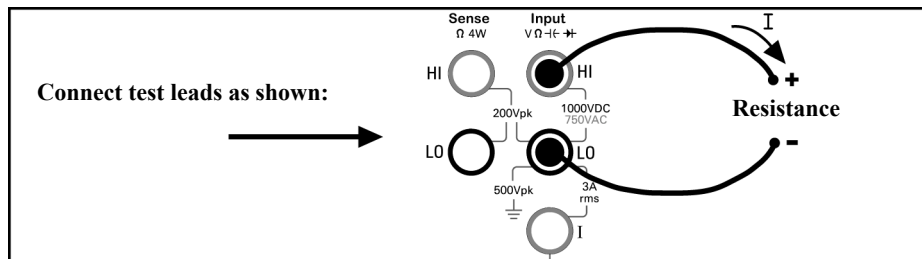
- Configurable parameters: AC FILTER, RANGE, NULL and NULL VALUE



### To Make a 2-Wire Resistance Measurement

Press  $\Omega 2W$  to select the 2-wire resistance function.

- Ranges: 100 $\Omega$ , 1 k $\Omega$ , 10 k $\Omega$ , 100 k $\Omega$ , 1 M $\Omega$ , 10 M $\Omega$ , 100 M $\Omega$ , 1 G $\Omega$
- Configurable parameters: INTEGRATION, RANGE, OFFSET COMP, AUTO ZERO, NULL, and NULL VALUE



To null-out the test lead resistance:

- 1 Connect one end of the test leads at the meter, and short the probe ends together.
- 2 Press null.
- 3 Connect the probe ends to the test circuit, and measure the corrected resistance value.

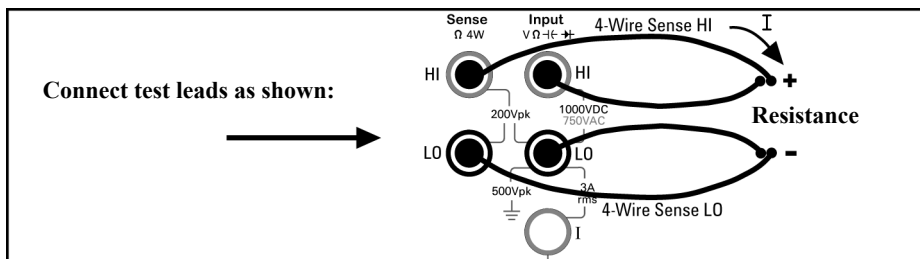
### To Make a 4-wire Resistance Measurement

Press  $\text{Shift}$   $\Omega 2W$  ( $\Omega 4W$ ) to select the 4-wire resistance function.

- Ranges: 100 $\Omega$ , 1 k $\Omega$ , 10 k $\Omega$ , 100 k $\Omega$ , 1 M $\Omega$ , 10 M $\Omega$ , 100 M $\Omega$ , 1 G $\Omega$

## 1 Quick Start

- Configurable parameters: INTEGRATION, RANGE, OFFSET COMP, NULL, and NULL VALUE

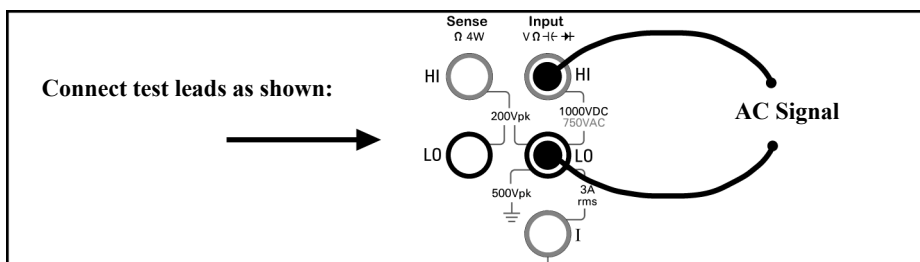


All 4-wire resistance measurements are made with auto-zero on.

### To Measure Frequency

Press **Freq** to select the frequency function.

- Measurement band: 3 Hz to 300 kHz
- Input signal range: 100 mVAC to 750 VAC
- Technique: reciprocal counting
- Configurable parameters: GATE TIME, RANGE, AC FILTER, NULL and NULL VALUE

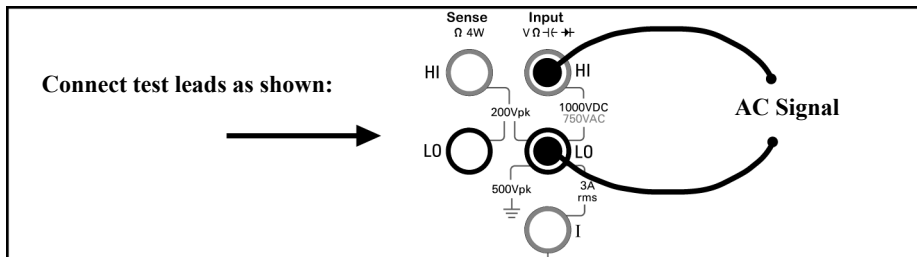


### To Measure Period

Press **Freq** to select the frequency function. Then press **Config** and select PERIOD from the menu.

- Measurement band: 0.33 s to 3.3  $\mu$ s
- Input signal range: 100 mVAC to 750 VAC
- Technique: reciprocal counting

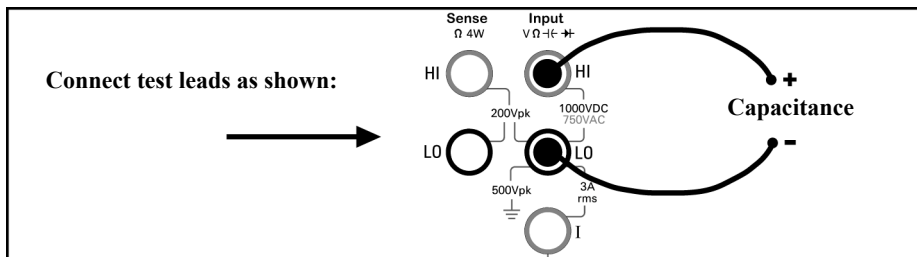
- Configurable parameters: GATE TIME, RANGE, AC FILTER, NULL and NULL VALUE



### To Measure Capacitance

Press **(Shift)** **(Freq)** **(-|E)** to select the capacitance function.

- Ranges: 1 nF, 10 nF, 100 nF, 1 mF, 10 mF
- Configurable parameters: RANGE, NULL, and NULL VALUE



*To null-out the test lead capacitance:*

- 1 Disconnect the + lead's probe end from the test circuit, and leave open.
- 2 Press null.
- 3 Reconnect the + lead's probe end to the test circuit, and measure the corrected capacitance value.

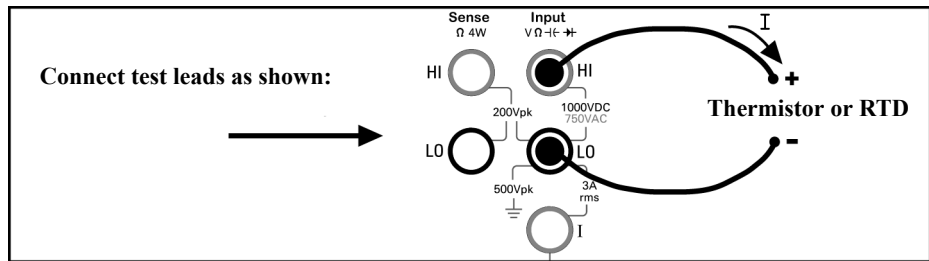
### To Make a 2-Wire Temperature Measurement

Press **(Shift)** **(Config)** **(Temp)** to select the temperature function. Then press **(Config)** and select RTD-2W or THERMISTOR-2W from the menu.

- Probe types: 2.2 k $\Omega$ , 5 k $\Omega$ , 10 k $\Omega$  thermistors; 0.00385/ $^{\circ}$ C RTD

## 1 Quick Start

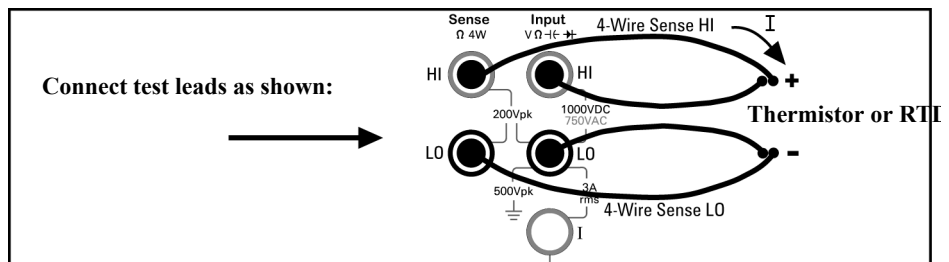
- Configurable parameters: PROBE TYPE, THERMISTOR or RTD value, AUTO ZERO, OFFSET COMP (*RTD probes only*), INTEGRATION, UNITS, NULL, and NULL VALUE



### To Make a 4-Wire Temperature Measurement

Press **(Shift)** **(Config)** **(Temp)** to select the temperature function. Then press **(Config)** and select RTD-4W or THERMISTOR-4W from the menu.

- Probe types: 2.2 k $\Omega$ , 5 k $\Omega$ , 10 k $\Omega$  thermistors; 0.00385/ $^{\circ}$ C RTD
- Configurable parameters: PROBE TYPE, THERMISTOR or RTD value, OFFSET COMP (*RTD probes only*), INTEGRATION, UNITS, NULL, and NULL VALUE



*All 4-wire temperature measurements are made with auto-zero on.*

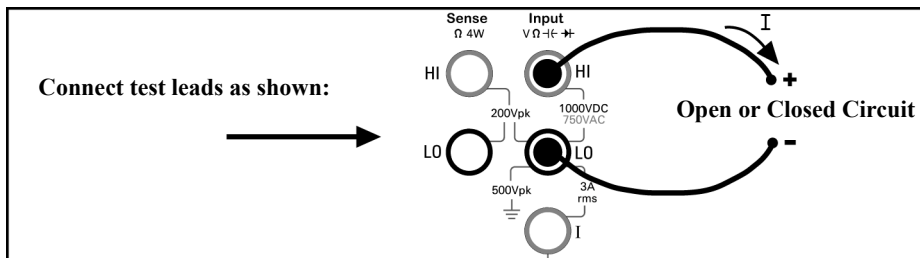
### To Test Continuity

Press **(Cont )** to select the continuity function.

- Test current source: 1 mA



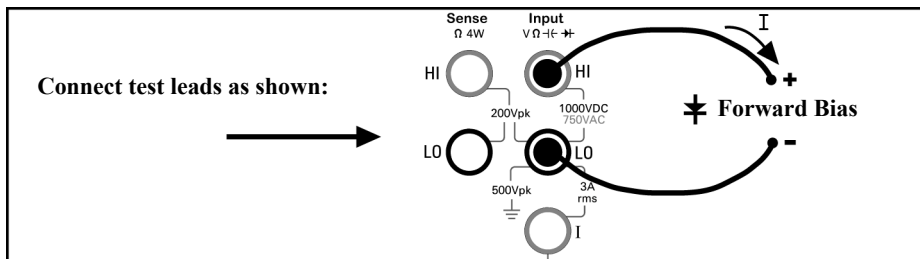
- Beeper Threshold: beeps below  $10\Omega$



### To Check Diodes

Press **(Shift)** **(Cont ⏏)** **(+)** to select the diode test function.

- Test current source: 1 mA
- Beeper Threshold:  $0.3V \sim \text{voltage}_{\text{measured}} \sim 0.8V$  (*not adjustable*)



The diode check function is used to indicate correct diode operation; closed-circuit on forward bias and open-circuit on reverse-bias.

## Other Basics of Operation

This section covers basic troubleshooting and general use.

## If the Multimeter Does Not Turn On

Use the following steps to help solve problems you might encounter when turning on the multimeter. If you need more help, see the *Service Guide* for instructions on returning the multimeter to Keysight for service.

### 1 Verify that there is ac power to the multimeter.

First, verify that the multimeter's Power switch is in the "On" position. Also, make sure that the power cord is firmly plugged into the power module on the rear panel. You should also make sure that the power source you plugged the multimeter into is energized.

### 2 Verify the power-line voltage setting.

The line voltage is set to the proper value for your country when the multimeter is shipped from the factory. Change the voltage setting if it is not correct. The settings are: 100, 120, 220, or 240 Vac (for 230 Vac operation, use the 220 Vac setting).

See *"To Replace the Power-Line Fuse (34410A/11A)"* on page 25 if you need to change the line-voltage setting.

### 3 Verify that the power-line fuse is good.

The multimeter is shipped from the factory with a power-line fuse installed. The supplied fuse is a **250 mA, 250V, slow-blow, 5x20mm fuse, Keysight part number 2110-0817**. If you determine that the fuse is faulty, replace it with one of the same size and rating.

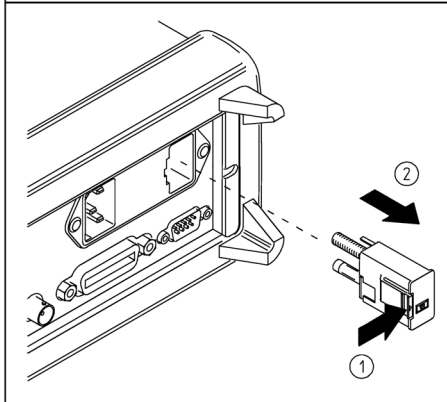
See *"To Replace the Power-Line Fuse (34410A/11A)"* on page 25 if you need to replace the power-line fuse.

The *current input path* is also fused. The supplied fuse is a **3 A, 250V, fast-acting, 5x20mm fuse, Keysight part number 2110-0780**, and is housed in a standard screw-in fuse holder on the left side of the rear panel. If you determine that the fuse is faulty, replace it with one of the same size and rating.

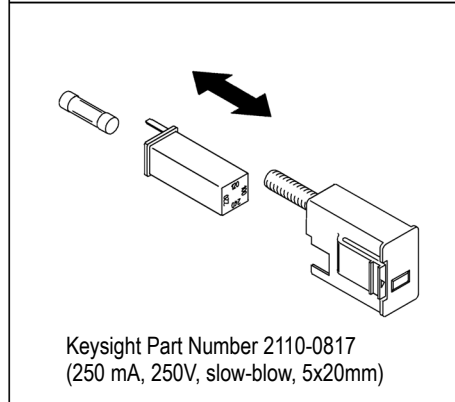
## To Replace the Power-Line Fuse (34410A/11A)

Remove power cord first. Then follow these steps:

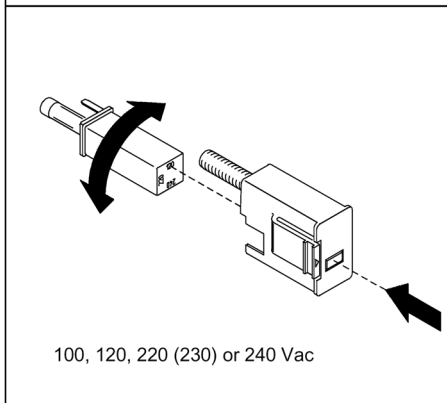
- 1** Depress tab (1) and pull fuse holder (2) from rear panel.



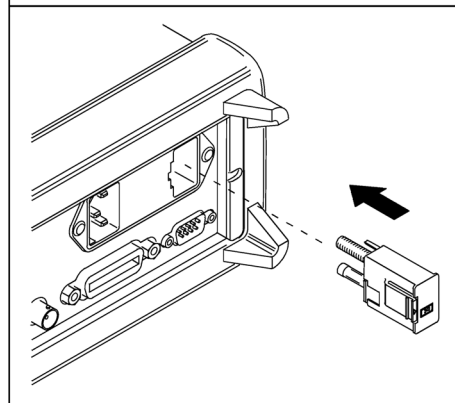
- 2** Remove line-voltage selector from fuse holder assembly.



- 3** Rotate line-voltage selector and reinstall so correct voltage appears in fuse holder window.



- 4** Replace fuse holder assembly in rear panel.



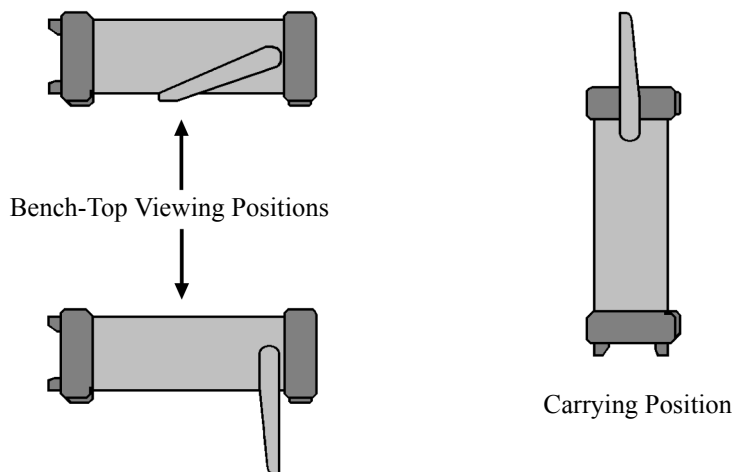
Verify that the correct line voltage is selected and the power-line fuse is good.

### NOTE

For multimeter operations with a 230 VAC supply, set the line-voltage selector to 220V.

## To Adjust the Carrying Handle

To adjust the position, grasp the handle by the sides and *pull outward*. Then, rotate the handle to the desired position.



## To Rack Mount the Multimeter (34410A/11A)

You can mount the 34410A/11A in a standard 19-inch rack cabinet using the available rack-mount kits. Instructions and mounting hardware are included with each kit. Any Keysight System II (half-width, 2U height) instrument of either the 272.3 mm or the 348.3 mm depth can be rack mounted side-by-side with the 34410A/11A. For example, a 34410A/11A and a 34401A, or two 34410A/11As, can be mounted side-by-side, as shown below.

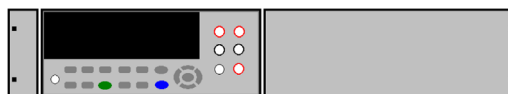
You must remove the carrying handle, and the front and rear rubber bumpers, before rack mounting an instrument.



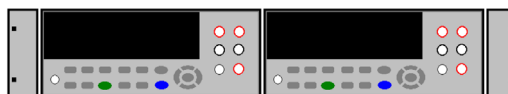
To remove each bumper, stretch a corner and slide it off.



To remove the handle, rotate it to the vertical position and pull the ends outward.



To rack mount a single instrument, order adaptor kit 5063-9240



To rack mount two instruments side-by-side, order lock-link kit 5061-8769 and flange kit 5063-9212

### NOTE

Refer to the L4411A Getting Started Guide for procedures and part numbers for rack mounting the L4411A.

## **1 Quick Start**

# Contents

<b>1</b>	<b>Quick Start</b>	<b>13</b>
	Basic Multimeter Operations	14
	Preparing the Multimeter for Use	14
	Using the Front Panel (34410A/11A)	15
	Front-Panel Keys	15
	Front-Panel Display Shortcuts	16
	Making Basic Measurements (34410A/11A)	17
	To Measure DC Voltage	18
	To Measure AC Voltage	18
	To Measure DC Current	19
	To Measure AC Current	19
	To Make a 2-Wire Resistance Measurement	20
	To Make a 4-wire Resistance Measurement	20
	To Measure Frequency	21
	To Measure Period	21
	To Measure Capacitance	22
	To Make a 2-Wire Temperature Measurement	23
	To Make a 4-Wire Temperature Measurement	23
	To Test Continuity	24
	To Check Diodes	24
	Other Basics of Operation	25
	If the Multimeter Does Not Turn On	25
	To Replace the Power-Line Fuse (34410A/11A)	26
	To Adjust the Carrying Handle	27
	To Rack Mount the Multimeter (34410A/11A)	28

<b>2</b>	<b>Features and Functions</b>	<b>35</b>
	SCPI Commands	37
	Front Panel Features (34410A/11A)	38
	Front Panel Display	38
	Displayed Messages	38
	Self-Guiding Menus	38
	Annunciators	40
	Second Display Options	41
	Turning the Display Off	41
	Front-Panel Display Shortcuts	42
	Front Panel Alphanumeric Character Entry	43
	Front Panel Measurement Configuration Menus	44
	Configuring DC Voltage and DC Current Measurements	44
	Configuring AC Voltage and Current Measurements	45
	Configuring Resistance Measurements	45
	Configuring Frequency and Period Measurements	46
	Configuring Temperature Measurements	46
	Configuring Capacitance Measurements	47
	Continuity and Diode Tests	47
	Advanced Configuration Options	48
	Multimeter State Storage	48
	Accessing Reading Memory	49
	Front/Rear Input Terminal Switching (34410A/11A)	49
	Multimeter Reset	50
	DC Measurements	51
	Integration Time and Resolution	51
	DC Input Impedance	53
	AC Measurements	54
	AC Filter	54
	Gate Time	55



Auto Zero	56
Ranging	57
Null Measurements	59
Miscellaneous Configuration Settings	60
Radix Character (34410A/11A)	60
Thousands Separator (34410A/11A)	60
Beeper (34410A/11A)	61
Math Functions	62
dB Measurements	63
dBm Measurements	64
Using Statistics	65
Limit Testing	66
Triggering the Multimeter	67
Selecting a Trigger Source	67
Auto Triggering (34410A/11A)	68
Single Triggering (34410A/11A)	68
Reading Hold (34410A/11A)	69
Immediate Triggering	69
Software (Bus) Triggering	70
Internal (Level) Triggering (34411A/L4411A)	70
Number of Samples per Trigger	71
Number of Pre-Trigger Samples (34411A/L4411A)	71
Trigger Delay	72
Automatic Trigger Delay	73
External Triggering	75
Trigger Slope	77
Data Logging	78
System-Related Operations	82
Self-Test	82
Error Conditions	83
Reading the Error Queue	84
NISPOM Memory Sanitization	84
Calibration	84
Power-On and Reset State	85

<b>3</b>	<b>Remote Interface Configuration</b>	<b>87</b>
	Configuring the GPIB Interface	89
	Configuring the USB Interface	90
	Configuring the LAN Interface	91
	Configuring LAN Parameters	92
	DHCP	92
	Auto-IP	92
	IP Address	93
	Subnet Mask	93
	Default Gateway	94
	Host Name	94
	DNS Server	95
	Web Password	95
	Instrument Unexpectedly Goes into Remote	95
	Setting up a LAN connection from the Front Panel	96
	Setting up a LAN connection from the Remote Interface	97
	Keysight 34410A/11A Web Interface	98
<b>4</b>	<b>Measurement Tutorial</b>	<b>99</b>
	DC Measurement Considerations	101
	Thermal EMF Errors	101
	Loading Errors (dc volts)	101
	Noise Rejection	102
	Rejecting Power-Line Noise Voltages	102
	Common Mode Rejection (CMR)	102
	Noise Caused by Magnetic Loops	103
	Noise Caused by Ground Loops	103
	Resistance Measurement Considerations	104
	4-Wire Ohms Measurements	104
	Removing Test Lead Resistance Errors	105
	Minimizing Power Dissipation Effects	105
	Errors in High Resistance Measurements	105

True RMS AC Measurements	106
True RMS Accuracy and High-Frequency Signal Content	107
Estimating High-Frequency (Out-of-Band) Error	110
Other Primary Measurement Functions	112
Frequency and Period Measurement Errors	112
DC Current Measurements	112
Capacitance Measurements	113
Temperature Measurements	115
Probe Type Choice	115
2-Wire vs. 4-Wire Measurements	115
Auto Zero On/Off	116
Integration	116
Offset Compensation	116
NULL Reading	116
High-Speed Measurements	117
Making High-Speed AC Measurements	117
Making High-Speed dc and Resistance Measurements	118
Other Sources of Measurement Error	119
Settling Time Effects	119
Loading Errors (ac volts)	119
Measurements Below Full Scale	120
High-Voltage Self-Heating Errors	120
AC Current Measurement Errors (Burden Voltage)	120
Low-Level Measurement Errors	120
Common Mode Errors	122
Leakage Current Errors	122

- 5 Specifications 123**
  - DC Characteristics 125
  - AC Characteristics 128
  - Frequency and Period Characteristics 130
  - Capacitance Characteristics 132
  - Temperature Characteristics 132
  - Additional 34411A/L4411A Specifications 133
  - Measurement and System Speeds 134
    - System Speeds 135
    - Data From Memory 136
  - General Specifications (34410A/11A) 136
  - General Specifications (L4411A) 137
  - Triggering and Memory 137
    - Dimensions 138
  - To Calculate Total Measurement Error 139
  - Interpreting Accuracy Specifications 141
    - Transfer Accuracy 141
    - 24-Hour Accuracy 141
    - 90-Day and 1-Year Accuracy 141
    - Temperature Coefficients 141
  - Configuring for Highest Accuracy Measurements 142
    - DC Voltage, DC Current, and Resistance Measurements 142
    - AC Voltage and AC Current Measurements 142
    - Frequency and Period Measurements 142
- A Appendix: Firmware and Driver Updates 143**
  - Downloading the Update Utility and Firmware 144
  - Downloading IVI-COM Driver Updates 147

## 2 Features and Functions

<b>SCPI Commands</b>	<b>37</b>
<b>Front Panel Features (34410A/11A)</b>	<b>38</b>
<b>Front Panel Display</b>	<b>38</b>
Displayed Messages	38
Self-Guiding Menus	38
Annunciators	39
Second Display Options	40
Turning the Display Off	41
Front-Panel Display Shortcuts	41
Front Panel Alphanumeric Character Entry	43
<b>Front Panel Measurement Configuration Menus</b>	<b>44</b>
Configuring DC Voltage and DC Current Measurements	44
Configuring AC Voltage and Current Measurements	44
Configuring Resistance Measurements	45
Configuring Frequency and Period Measurements	45
Configuring Temperature Measurements	46
Configuring Capacitance Measurements	46
Continuity and Diode Tests	47
<b>Advanced Configuration Options</b>	<b>48</b>
<b>Multimeter State Storage</b>	<b>49</b>
<b>Accessing Reading Memory</b>	<b>50</b>
<b>Front/Rear Input Terminal Switching (34410A/11A)</b>	<b>50</b>
<b>Multimeter Reset</b>	<b>51</b>
<b>DC Measurements</b>	<b>52</b>
Integration Time and Resolution	52
DC Input Impedance	54

- AC Measurements 55**
  - AC Filter 55
  - Gate Time 55
- Auto Zero 57**
- Ranging 58**
- Null Measurements 60**
- Miscellaneous Configuration Settings 61**
  - Radix Character (34410A/11A) 61
  - Thousands Separator (34410A/11A) 61
  - Beeper (34410A/11A) 62
- Math Functions 63**
  - dB Measurements 64
  - dBm Measurements 64
  - Using Statistics 65
  - Limit Testing 66
- Triggering the Multimeter 68**
  - Selecting a Trigger Source 68
  - Auto Triggering (34410A/11A) 68
  - Single Triggering (34410A/11A) 69
  - Reading Hold (34410A/11A) 69
  - Immediate Triggering 70
  - Software (Bus) Triggering 70
  - Internal (Level) Triggering (34411A/L4411A) 70
  - Number of Samples per Trigger 71
  - Number of Pre-Trigger Samples (34411A/L4411A) 72
  - Trigger Delay 73
  - Automatic Trigger Delay 74
  - External Triggering 76
  - Trigger Slope 78
- Data Logging 80**
- System-Related Operations 84**
  - Self-Test 84
  - Error Conditions 85
  - Reading the Error Queue 85
  - NISPOM Memory Sanitization 86
  - Calibration 86
- Power-On and Reset State 87**

## SCPI Commands

The Keysight 34410A/11A/L4411A complies with the syntax rules and conventions of SCPI (*Standard Commands for Programmable Instruments*).

### NOTE

For complete SCPI command syntax information, refer to the *Keysight 34410A/11A/L4411A Programmer's Reference Help*. This is a standard Windows help system, provided on the *Keysight 34410A/11A/L4411A Product Reference CD-ROM* that came with your instrument.

---

**SCPI Language Conventions.** Throughout this guide, the following conventions are used for SCPI command syntax for remote interface programming:

- Braces ( { } ) enclose the parameter choices for a given command string. The braces are not sent with the command string.
- A vertical bar ( | ) separates multiple parameter choices for a given command string.
- Triangle brackets ( < > ) indicate that you must specify a value for the enclosed parameter. The brackets are not sent with the command string.
- Some parameters are enclosed in square brackets ( [ ] ). This indicates that the parameter is optional and can be omitted. The brackets are not sent with the command string. If you do not specify a value for an optional parameter, the instrument chooses a default value.

**SCPI Language Version.** You can determine the SCPI version to which your instrument adheres by sending a command from the remote interface.

- You can query the SCPI version from the remote interface only.
- **Remote Interface Operation:** The `SYSTem:VERSion?` query returns the SCPI version in the form “YYYY.V”, where “YYYY” represents the year of the version, and “V” represents a version number for that year (for example, 1994.0).

## Front Panel Features (34410A/11A)

### Front Panel Display

The Keysight 34410A/11A provides a two–line, alphanumeric display, with annunciators to indicate certain non–default instrument states.

#### Displayed Messages







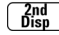


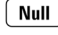

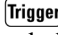



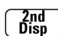
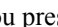

While taking measurements, the primary display line shows the current reading, with units (for example: “-0.001,02 VDC”). For some functions the second display line can be enabled to display a secondary measurement.

When a menu is open (for example, to configure a measurement), the primary display line indicates the menu, or the parameter to be set or selected, while the second line displays the selections, or a value to be set.

The second line also displays momentary messages to convey instrument state changes.

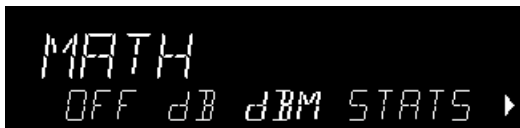
#### Self–Guiding Menus

The Keysight 34410A/11A provides context–sensitive menus to configure measurements and other functions. The following general guidelines apply to menu operations.

- In this guide, “navigation keypad” refers to the , , , and  keys, and the  key.
- Several keys (or shifted key sequences) open a menu. These include:
  -  to configure the currently selected measurement function.
  -  to select a secondary measurement for the second display line.
  -  to set up and use the data logger function.
  -   (**Math**) to turn on and select the math functions.
  -   (**Auto Trig**) to return the multimeter to auto trigger mode, enable reading hold, or select various triggering options.
  -   (**Utility**) to configure utility options or the remote interface.
  -   (**Reset**) to reset the multimeter to its reset state (equivalent to the \*RST command in SCPI).
- When you press , the **Shift** annunciator is lit. It toggles on and off.
- If the multimeter is in the remote interface mode (**Remote** annunciator is lit), pressing  (**Local**) once returns the multimeter to local (front panel) operation.



- Once you have entered a menu, use the ◀ or ▶ keys to view and *select* a menu item from those displayed on the second line.



The selected (or default) item is displayed in *full brightness* (for example, **dB** in the menu above). All other choices are displayed in *half brightness* (OFF, dB, or STATS above).

The menu selections scroll, but do not wrap. Arrows indicate additional selections, if any, to the left or right. In the example above, the arrow indicates at least one more selection to the right of STATS.

- To *confirm* a selection, press the **Enter** key, which also takes you to the next menu level. If you are already at the last level in the menu, pressing **Enter** exits the menu.
- To *review* a menu configuration, press **Enter** repeatedly to view, in order, the current selections, and then exit the menu.
- To step through the remaining menu choices after making the desired selections, hold down the **Enter** key.
- The key that you used to enter the menu (for example, **Config** or **2nd Disp**), serves to confirm selections and advance in the menu exactly like the **Enter** key.
- To *exit* a menu *before* completing its sequence, press **Exit**. If you have made changes, you are prompted whether to save or discard them.

## NOTE

In some menus, the second display is used to enter a number or text. See “[Front Panel Alphanumeric Character Entry](#)” on page 43 for further information.


In a few cases, long strings are displayed in a menu (for example the USB ID string) that require scrolling with the ▲ and ▼ keys in order to view the entire string.

## Annunciators

There are several annunciators, mostly in a line at the top of the display. Each annunciator lights to indicate a particular non–default meter state:

- \* A measurement is in progress (the “sample annunciator”).
- **Hi-Z** For DC voltage measurements in the 100 mV, 1 V or 10 V ranges, an input impedance of >10 GΩ is configured.

## 2 Features and Functions

- **OComp** For resistance measurements in the 100  $\Omega$ , 1 k $\Omega$  and 10 k $\Omega$  ranges, offset compensation is enabled.
- **ManRng** For the selected measurement function, a manual range is selected (autoranging is off).
- **Trig** Triggering is enabled. The meter is in the “wait-for-trigger” state.
- **Hold** The reading hold function is enabled.
- **Remote** The multimeter is operating in the remote interface mode.
- **Error** A hardware error or remote interface error has been detected, and a message is in the error queue.
- **Null** The null feature is enabled for the present measurement function.
- **Shift** The  key has been pressed (toggles on and off).
- **Math** Either the dB or dBm math function is enabled.
- **Stats** The statistics math function is enabled.
- **Limits** The limit test math function is enabled.
- **Rear** The **Front/Rear** switch is set to **Rear** and the rear set of input terminals is connected internally to make measurements.
- **4W** A four-wire resistance or temperature function is selected.
- **))** The continuity function is selected.
- **➤** The diode test function is selected.

### Second Display Options

Many measurement functions allow a secondary measurement to be displayed simultaneously on the second display line:

Primary Function	Second Display Function
DC V, DC I, AC V, AC I	Peak-to-Peak value
Freq	AC Voltage*
Temp	Raw Resistance**
*ac voltage of the input waveform	
**actual raw resistance measured across temperature probe and leads	

- **Front Panel Operation:** Press    
 2ND DISPLAY > PK-TO-PK (Where primary function is voltage or current.)

Once the second display is enabled, you can scroll through all second display items, including STATS or LIMITS if these functions are enabled.

- **Remote Interface Operation:** The following command selects the measurement or math function to be displayed on the second display line. The `<feed>` parameter is a quoted ASCII string designating the function to be displayed, such as `VOLtage:PTPeak`.

```
DISPlay:WINDow2:TEXT:FEED <feed>
```

The following query returns the currently selected `<feed>` parameter, as a quoted ASCII string:

```
DISPlay:WINDow2:TEXT:FEED?
```

Refer to the *Keysight 34410A/11A/L4411A Programmer's Reference Help* for a complete description and syntax for these commands.

## Turning the Display Off

*This feature is available from the remote interface only.*

For security reasons, you may want to disable the front panel display. When disabled, the entire front panel display (except for the **Error** and **Remote** annunciators) goes dark.

- **Remote Interface Operation:** The following command turns off the display:

```
DISPlay OFF
```

The following command queries the display setting:

```
DISPlay?
```





The query returns a “0” (OFF) or “1” (ON).

Refer to the *Keysight 34410A/11A/L4411A Programmer's Reference Help* for a complete description and syntax for these commands.

## Front-Panel Display Shortcuts

Direct front-panel shortcuts are provided for three commonly used display functions: ranging, digit masking, and integration time. *These shortcuts are available only when you are **not** in a menu.*

**Ranging.** The meter range can be set directly from the navigation keypad.

- To manually change the range, press  or . The **ManRng** annunciator lights, and the selected range (for example, 100mV RANGE) is briefly displayed on the second line.
- To toggle between the selected manual range and autoranging, press  (**Auto Rng**). The **ManRng** annunciator toggles on or off, as appropriate. *Note: This is a dual-function key, not a shifted key. Pressing  when in a menu will exit the menu.*

**Digit Masking.** The navigation keypad provides a shortcut to mask (change the number of digits displayed) the reading on the main display.

- To enable digit masking for the selected measurement function, press **Shift** **1** or **Shift** **2**. DIGIT MASK will be displayed, along with a list of choices (3.5, 4.5, 5.5, 6.5 and AUTO). Select the desired setting (use the **1** **2** keys) and press **Enter**.
- Masking digits only affects what is displayed. It does not affect measurement speed or accuracy.

**Integration Time (Bandwidth, Gate Time).** Four measurement functions allow you to select the integration time: dc voltage, dc current, resistance, and temperature. The ac voltage and ac current measurements allow you to select the ac signal filter (bandwidth). The frequency/period function allows you to select gate time. The navigation keypad provides a shortcut for quickly changing these settings.

- If the multimeter is configured to take the measurement using an integration time in *NPLCs*, press **1** or **2** to increase or decrease the integration time setting and display the new setting briefly. You can scroll through the entire range of integration time settings:

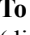
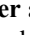


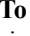
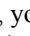
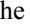
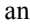
Keysight 34410A, PLCs: 0.006, 0.02, 0.06, 0.2, 1, 2, 10 and 100

Keysight 34411A/L4411A, PLCs: 0.001, 0.002, 0.006, 0.02, 0.06, 0.2, 1, 2, 10, 100

- If the multimeter is configured to take the measurement using an *aperture* integration time, press **1** or **2** to display APERTURE, with the current setting on the second line (for example, 101.005mSEC). You can then use the navigation keypad to change the aperture setting. The **Enter** and **Exit** keys have their usual functions.
- If either the ac voltage or ac current function is selected, press **1** or **2** to increase or decrease the bandwidth setting, and briefly display the new setting on the second line. You can scroll through the three available bandwidth settings: 3 HZ : SLOW, 20 HZ : MEDIUM, or 200 HZ : FAST.
- If the frequency/period measurement function is selected, pressing **1** or **2** during front panel measurement operations will increase or decrease the gate time setting, and briefly display the new setting on the second display line (for example, if the setting was 0.1 GATE TIME, the display will show 0.01 GATE TIME when you press **1**). Repeated use of **1** or **2** will scroll through the selection of gate time settings in seconds (0.001 GATE TIME, 0.01 GATE TIME, 0.1 GATE TIME, and 1 GATE TIME).

## Front Panel Alphanumeric Character Entry

When you are in certain menus, particularly the utility menus, you may need to manually enter a number or alphanumeric string on the second display line.

- **To enter a number or character**, press  or  to select the displayed character (digit or letter) you wish to edit. The selected character will flash to indicate it can be edited. Use the  and  keys to modify a digit (from 0 to 9) or a letter (from A to Z).
- **To quickly enter large numbers**, you may press  to scroll over to the most significant digit allowed and/or add leading zeros. For non-zero floating-point entries, you may also press  to scroll to the magnitude prefix (for example, u, m, k, M), then use the  and  keys to change the numerical entry.

Arrow annunciators on the second display line will indicate if there are editable characters left or right of the one selected.

## Front Panel Measurement Configuration Menus

Each measurement function is configured separately, except for  $\Omega$  2W and  $\Omega$  4W (which are partially inter-dependent), and frequency and period, (which share a configuration menu). The configuration settings (for example, integration, and range) for each measurement function are retained when switching between functions.

- **To enter the configuration menu** for any selected measurement function, press **Config**. The menus are context-sensitive; only the options applicable to the selected function will appear.
- When digit masking is enabled (see *“Digit Masking.”* on page 42) the DIGIT MASK submenu will appear before other configuration choices.
- *For further information, see “Advanced Configuration Options” on page 48.*

### Configuring DC Voltage and DC Current Measurements

For dc voltage and dc current measurements, the menu selections are: INTEGRATION, RANGE, AUTO ZERO, NULL and NULL VALUE. For dc voltage measurements only, you can also configure INPUT Z.

- **INTEGRATION:** Allows you to set the integration time for the measurement in two ways; in power-line cycles (select NPLC) or in seconds (select APERTURE).
- **RANGE:** Allows you to select a fixed range (select MANUAL), or let the multimeter automatically select the range using the *autoranging* feature (select AUTO).
- **INPUT Z:** Allows you to select an input impedance of 10 M $\Omega$  (select 10 M) or >10 G $\Omega$  (select HI-Z) for the 100 mVdc, 1 Vdc and 10 Vdc ranges only.
- **AUTO ZERO:** Allows you to enable for all readings (select ON), enable for one reading (select ONCE), or disable (select OFF) the auto zero feature, which subtracts a zero reading from each measurement.
- **NULL:** Allows you to enable (ON) or disable (OFF) the null measurement feature, which measures the difference between a stored null value and the input signal.
- **NULL VALUE:** Allows you to view and edit the null value (if enabled).

### Configuring AC Voltage and Current Measurements

For ac voltage and ac current measurements, your menu selections are: AC FILTER, RANGE, NULL and NULL VALUE.

- **AC FILTER:** Allows you to select one of three choices (3 HZ : SLOW, 20 HZ : MEDIUM, 200 HZ : FAST). The ac filter allows you to trade off low-frequency bandwidth versus ac settling time.
- **RANGE:** Allows you to let the multimeter automatically select the range using the *autoranging* feature (select AUTO), or you may select a fixed range (select MANUAL).

- **NULL:** Allows you to enable (ON) or disable (OFF) the null measurement feature, which measures the difference between a stored null value and the input signal.
- **NULL VALUE:** Allows you to view and edit the null value (if enabled).

### Configuring Resistance Measurements

For 2–wire and 4–wire resistance measurements, your menu selections are: INTEGRATION, RANGE, OFFSET COMP, AUTO ZERO, NULL and NULL VALUE.

- **INTEGRATION:** Allows you to set the integration time for the measurement in two ways; in power–line cycles (NPLC) or in seconds (APERTURE).
- **RANGE:** Allows you to let the multimeter automatically select the range using the *autoranging* feature (select AUTO), or you may select a fixed range (select MANUAL).
- **OFFSET COMP:** Allows you to enable (ON) or disable (OFF) the offset compensation feature. With offset compensation enabled, the multimeter makes a normal resistance measurement first, followed by a second measurement to determine any offset voltage in the input circuitry. The resultant displayed measurement corrects for this offset. Enabling offset compensation increases measurement time.
- **AUTO ZERO:** Allows you to enable for all readings (ON), enable for one reading (ONCE), or disable (OFF) the auto zero feature, which subtracts a subsequent zero reading from each measurement.
- **NULL:** Allows you to enable (ON) or disable (OFF) the null measurement feature, which measures the difference between a stored null value and the input signal.
- **NULL VALUE:** Allows you to view and edit the null value (if enabled).

### Configuring Frequency and Period Measurements

For frequency and period measurements, your menu selections are: CONFIGURE, GATE TIME, RANGE, AC FILTER, NULL and NULL VALUE.

- **CONFIGURE:** Allows you to select either FREQUENCY or PERIOD as the primary measurement.
- **GATE TIME:** Allows you to select one of four choices (0.001, 0.01, 0.1, *or* 1) for gate time, in seconds.
- **RANGE:** Allows you to let the multimeter automatically select the range using the *autoranging* feature (select AUTO), or you may select a fixed range (select MANUAL).

## 2 Features and Functions

- **AC FILTER:** Allows you to select from three choices (3 HZ : SLOW, 20 HZ : MEDIUM, or 200 HZ : FAST). The ac filter allows you to trade off low-frequency bandwidth versus ac settling time.
- **NULL:** Allows you to enable (ON) or disable (OFF) the null measurement feature, which measures the difference between a stored null value and the input signal.
- **NULL VALUE:** Allows you to view and edit the null value (if enabled).

### Configuring Temperature Measurements

For temperature measurements, your menu selections are: PROBE TYPE, OFFSET COMP, AUTO ZERO, INTEGRATION, NULL, NULL VALUE, and UNITS.

- **PROBE TYPE:** Allows you to select from four choices (RTD–4W, RTD–2W, THERMISTOR–2W, or THERMISTOR–4W) of temperature probe type.
- **OFFSET COMP** (*for RTD probes only*): Allows you to enable (ON) or disable (OFF) the offset compensation feature. With offset compensation enabled, the multimeter makes a normal temperature measurement first, followed by a second measurement to determine any offset voltage in the input circuitry. The resultant displayed measurement corrects for this offset. Enabling offset compensation increases measurement time.
- **AUTO ZERO:** Allows you to enable (ON) or disable (OFF) the auto zero feature for 2-wire temperature measurements. This feature subtracts a subsequent zero reading from each measurement.

*Note that 4-wire temperature measurements are automatically made with auto zero always on.*

- **INTEGRATION:** Allows you to set the integration time for the measurement in two ways; in power-line cycles (NPLC) or in seconds (APERTURE).
- **NULL:** Allows you to enable (ON) or disable (OFF) the null measurement feature, which measures the difference between a stored null value and the input signal.
- **NULL VALUE:** Allows you to view and edit the null value (if enabled).
- **UNITS:** Allows you to select the temperature scale: Celsius (select C), Fahrenheit (select F), or Kelvin (select K).

### Configuring Capacitance Measurements

For capacitance measurements, your configuration menu choices are: RANGE, NULL and NULL VALUE.



- **RANGE:** Allows you to let the multimeter automatically select the range using the *autoranging* feature (select AUTO), or you may select a fixed range (select MANUAL).
- **NULL:** Allows you to enable (ON) or disable (OFF) the null measurement feature, which measures the difference between a stored null value and the input signal.
- **NULL VALUE:** Allows you to view and edit the null value (if enabled).

## Continuity and Diode Tests

There are no parameters to configure, nor any menus for these functions.

- **Continuity Test.** The range and resolution are fixed for continuity tests.
  - The range is 1 k $\Omega$  (a 2-wire resistance measurement).
  - The meter beeps (even if beep is disabled) for each measurement that is less than or equal to the continuity threshold (which is 10  $\Omega$ ), and the actual resistance reading is displayed on the front panel.
  - From 10  $\Omega$  to 1.2 k $\Omega$  the meter displays the actual resistance reading with no beep. If the reading exceeds 1.2 k $\Omega$ , the meter displays "OPEN" on the front panel (no beep).
- **Diode Test.** The range and resolution are *fixed* for diode tests.
  - The range is 1 Vdc (with a 1 mA current source output).
  - The voltage is displayed on the front panel if it is in the 0 to 1.2 volt range. The meter beeps when the signal transitions to the 0.3 to 0.8 volt threshold (unless beep is disabled). If the signal is greater than 1.2 volts, "OPEN" is displayed on the front panel.

## Advanced Configuration Options

**NOTE**

The **Remote Interface Operation** segments within the following topics describes how the instrument feature is used/accessed from a (remote) programming environment. For the L4411A, this represents the only method of accessing the instrument. See the L4411A Getting Started Guide for details.

---

## Multimeter State Storage

The present multimeter state, including all settings for measurement configuration, math operations, triggering operations, system operations and I/O configuration, can be saved in one of five *non-volatile* stored states and later recalled. State 0 (POWER\_DOWN) retains the multimeter configuration at power down. States 1 – 4 (STATE\_1, STATE\_2, STATE\_3, STATE\_4) are available for storing other configurations.

- **Front Panel Operation:** Press **Shift** **Data Log** (**Utility**) to open the utility menu.
  - To *store* the present multimeter state (for example, to STATE\_1):  
 UTILITY MENU > STORE/RECALL > STORE > STORE STATE > 1: STATE\_1 >  
 CHANGE NAME  
  
 Use the navigation keypad to enter a new name (up to 12 characters), or just press **Enter** to store with the default name.
  - To *recall* any of five stored states (for example: STATE\_1):  
 UTILITY MENU > STORE/RECALL > RECALL > RECALL STATE > 1: STATE\_1
  - To *delete* a state you have stored (for example: STATE\_1):  
 UTILITY MENU > STORE/RECALL > DELETE > DELETE STATE > 1: STATE\_1
  - To *rename* a state you have stored (for example: STATE\_1):  
 UTILITY MENU > STORE/RECALL > RENAME > RENAME STATE > 1: STATE\_1 >  
 CHANGE NAME  
  
 Use the navigation keypad to enter a new name (up to 12 characters), or just press **Enter** to store with the current name.
  - To *select any previously stored state (0 – 4) as the power-on default state* (for example: STATE\_1):  
 UTILITY MENU > STORE/RECALL > PWR-ON > PWR-ON AUTO > ON > PWR-ON  
 STATE > 1: STATE\_1
- **Remote Interface Operation:** Refer to the MEMORY command subsystem in the *Keysight 34410A/11A/L4411A Programmer's Reference Help* for a complete description and syntax of the commands that store, recall, and name multimeter states from the remote interface.

## Accessing Reading Memory

*Reading memory is accessed directly from the remote interface only.*

The multimeter's reading memory is a first-in-first-out (FIFO) buffer holding up to 50,000 readings (34410A) or 1 million readings (34411A/L4411A). The oldest readings are preserved.

- **Remote Interface Operation:** The following command transfers readings stored in non-volatile memory into the multimeter's output buffer, from where you can read them into your computer:

```
FETCh?
```

The following command will obtain whatever readings are present in NVMEM, and erase them as they are read:

```
R?
```

Refer to the *Keysight 34410A/11A/L4411A Programmer's Reference Help* for a complete description and syntax for these commands.

## Front/Rear Input Terminal Switching (34410A/11A)

- **Front Panel Operation:** The **Front/Rear** switch manually selects the set of input terminals (front or rear) that is connected internally for measurements. Both sets are equivalent and include **Sense (LO and HI)**, **Input (LO and HI)**, and **Current (I)** terminals. The **Rear** annunciator is lit when the rear inputs are selected. See "**The Front Panel at a Glance (34410A/11A)**" on page 8, for the location of the **Front/Rear** switch. *The Front/Rear switch has no effect on the Ext Trig or VM Comp connectors.*

### WARNING

**Do not change the position of the Front/Rear switch while signals are present on either the front or rear set of terminals. Switching while high voltages or currents are present may cause instrument damage, and may increase the risk of electric shock.**

- **Remote Interface Operation:** The **Front/Rear** switch is manually switchable only, and cannot be controlled from the remote interface. The following query returns the current switch setting:

```
ROUTE:TERMinals?
```

The query returns either "FRON" or "REAR"

## Multimeter Reset

The reset function resets most multimeter settings to their factory settings, except if the power-on state has been manually set to a stored state (see “**Multimeter State Storage**” on page 49). The reset function is faster than cycling power because the power-on self tests are omitted.

- Certain settings such as I/O addresses are stored in non-volatile memory, and are not affected by a reset.
- Refer to “*Power-On and Reset State*” on page 87 for a complete listing of the settings affected by a (front panel or remote interface) reset command.
- **Front Panel Operation:** To reset the multimeter, press **Shift** **2<sup>nd</sup> Disp** (**Reset**). RESET DMM is displayed, along with the options NO (default) and YES. Select YES to reset the multimeter.
- **Remote Interface Operation:** The following commands reset the multimeter to the instrument reset state:  
`SYSTem:PRESet`  
`*RST`

Refer to the *Keysight 34410A/11A/L4411A Programmer's Reference Help* for a complete description and syntax for these commands.

## DC Measurements

### Integration Time and Resolution

For dc voltage, dc current, resistance, and temperature measurements, the multimeter provides two ways to set integration time, both of which affect the measurement resolution. These are in the number of power-line cycles (NPLCs) and aperture (settable in seconds).

**NPLC mode.** Using *NPLCs* sets the number of power-line cycles during which the multimeter's analog-to-digital (A/D) converter samples the input signal for a measurement. The multimeter automatically detects the AC line frequency, using it and the NPLC selection to set integration time. Use a larger NPLC value for better resolution. Use a smaller value for faster measurements.

To obtain *normal mode* (line-frequency noise) rejection, you *must* select NPLC mode, with an integral number of power-line cycles (for example, 1, 10, or 100 NPLC). The following table shows the resulting resolution for each integration time value (in power-line cycles) selected.

Integration Time	Resolution
0.001 PLC*	30 ppm x Range
0.002 PLC*	15 ppm x Range
0.006 PLC	6.0 ppm x Range
0.02 PLC	3.0 ppm x Range
0.06 PLC	1.5 ppm x Range
0.2 PLC	0.7 ppm x Range
1 PLC (default)	0.3 ppm x Range
2 PLC	0.2 ppm x Range
10 PLC	0.1 ppm x Range
100 PLC	0.03 ppm x Range
* <i>Model 34411A/L4411A</i>	

- **Front Panel Operation:** Select a dc measurement function (**DC V**, **DC I**,  **$\Omega$  2W**,  **$\Omega$  4W** or **Temp**). Press **(Config)** as required:

... > INTEGRATION > NPLC

Select the desired NPLC value: 0.006, 0.02, 0.06, 0.2, 1, 2, 10 or 100. (The 34411A also allows you to select 0.001 or 0.002.) Then step through or exit the configuration menu.

- **Remote Interface Operation:** The following commands set the integration time in NPLC:

```
[SENSe:]VOLTage[:DC]:NPLC {<PLCs>>MIN>MAX>DEF}
[SENSe:]CURRent[:DC]:NPLC {<PLCs>>MIN>MAX>DEF}
[SENSe:]RESistance:NPLC {<PLCs>>MIN>MAX>DEF}
[SENSe:]FRESistance:NPLC {<PLCs>>MIN>MAX>DEF}
[SENSe:]TEMPerature:NPLC {<PLCs>>MIN>MAX>DEF}
```

Each of these commands also has a query form.

Refer to the *Keysight 34410A/11A/L4411A Programmer's Reference Help* for a complete description and syntax for these commands.

**Aperture mode.** *Aperture* is the period, measured in *seconds*, during which the multimeter's analog-to-digital (A/D) converter samples the input signal for a measurement. A longer aperture yields better resolution; a shorter aperture provides for faster measurements. This mode allows the user to set a specific integration time, not based on power-line frequency. Values range from 100  $\mu$ s to 1 second for the 34410A, and from 20  $\mu$ s to 1 second for the 34411A/L4411A.

- To allow for normal mode (line frequency noise) rejection, select the NPLC option for INTEGRATION, with an integral number of NPLCs. Use the APERTURE method only if you *need* precise control over the multimeter's integration time, in seconds.
- **Front Panel Operation:** Select a dc measurement function (**DC V**, **DC I**,  **$\Omega$  2W**,  **$\Omega$  4W** or **Temp**). Press **Config** as required:

```
... > INTEGRATION > APERTURE
```

Use the navigation keypad to set the desired aperture value, and press **Enter**. Then step through or exit the configuration menu.

- **Remote Interface Operation:** The following commands set the aperture value, in seconds:

```
[SENSe:]VOLTage[:DC]:APERTure {<seconds>>MIN>MAX>DEF}
[SENSe:]CURRent[:DC]:APERTure {<seconds>>MIN>MAX>DEF}
[SENSe:]RESistance:APERTure {<seconds>>MIN>MAX>DEF}
[SENSe:]FRESistance:APERTure {<seconds>>MIN>MAX>DEF}
[SENSe:]TEMPerature:APERTure {<seconds>>MIN>MAX>DEF}
```

Each of these commands also has a query form.

The following command (similar queries for current, resistance and temperature) returns whether aperture mode is enabled:

```
[SENSe:] VOLTage[:DC]: APERTure: ENABled?
```

This query returns a “0” (disabled) or “1” (enabled).

Refer to the *Keysight 34410A/11A/L4411A Programmer's Reference Help* for a complete description and syntax for these commands.

### DC Input Impedance

*Applies to dc voltage measurements only.*

The default setting for the multimeter's input impedance is *fixed* at 10 M $\Omega$  for all dc voltage ranges, to minimize noise pickup. To reduce the effects of measurement loading errors when making low-voltage measurements, this fixed resistance can be set to HI-Z (>10 G $\Omega$ ) for the 100 mVdc, 1 Vdc, and 10 Vdc ranges.

- **Front Panel Operation:** After the **DC V** function is selected, press **Config**.

```
INTEGRATION > RANGE > INPUT Z
```

Select 10 M or HI-Z, and then step through or exit the menu.

Note that when HI-Z is selected, the multimeter will set an input impedance of >10 G $\Omega$  for the three lowest dc voltage ranges. The input impedance remains 10 M $\Omega$  for all measurement ranges above 10 Vdc.

- **Remote Interface Operation:** The following command turns on the auto input impedance function for dc voltage measurements. The AUTO function (equivalent of setting HI-Z from the front panel) uses 10 M $\Omega$  for the 100V and 1000V ranges, and >10 G $\Omega$  for the 100 mVdc, 1 Vdc and 10 Vdc ranges.

```
[SENSe:] VOLTage:DC: IMPedance: AUTO {OFF>0>ON>1}
```

The following command queries the auto impedance function setting:

```
[SENSe:] VOLTage:DC: IMPedance: AUTO?
```

This query returns a “0” (OFF) or “1” (ON).

Refer to the *Keysight 34410A/11A/L4411A Programmer's Reference Help* for a complete description and syntax for these commands.



## AC Measurements

### AC Filter

*Applies to ac voltage, ac current, frequency, and period measurements only.*

The multimeter provides three bandwidth (ac signal filter) selections. Set the bandwidth for the lowest frequency you expect to encounter. Note that a lower bandwidth setting results in longer settling times, as shown in the table below.

AC Filter	Input Frequency	Settling Time ACV	Settling Time ACI
Slow	3 Hz – 300 kHz	2.5 seconds/reading	1.66 seconds/reading
Medium (default)	20 Hz – 300 kHz	0.625 seconds/reading	0.25 seconds/reading
Fast	200 Hz – 300 kHz	0.025 seconds/reading	0.025 seconds/reading

- **Front Panel Operation:** Select the ac voltage, ac current, frequency, or period function. Press **Config** as required.

... > AC FILTER

Select 3 HZ: SLOW, 20 HZ: MEDIUM, or 200 HZ: FAST, and then step through or exit the menu.

- **Remote Interface Operation:** The following commands set the ac filter (3, 20 or 200 Hz) for ac measurements:

```
[SENSe:]VOLTage:AC:BANDwidth {<filter>>MIN>MAX>DEF}
```

```
[SENSe:]CURRent:AC:BANDwidth {<filter>>MIN>MAX>DEF}
```

The following commands query the filter setting:

```
[SENSe:]VOLTage:AC:BANDwidth? [{MIN>MAX}]
```

```
[SENSe:]CURRent:AC:BANDwidth? [{MIN>MAX}]
```

Refer to the *Keysight 34410A/11A/L4411A Programmer's Reference Help* for a complete description and syntax for these commands.

### Gate Time

*Applies to frequency and period measurements only.*

## 2 Features and Functions

The multimeter provides four choices of *gate time* (also called aperture) for frequency or period measurements. The gate time selection affects resolution as shown below.

Gate Time	Resolution
1 ms	100 ppm x Range
10 ms	10 ppm x Range
100 ms	1 ppm x Range
1 s	0.1 ppm x Range

- **Front Panel Operation:** Press **Freq** and then press **Config**.

CONFIGURE > FREQUENCY > GATE TIME *or*

CONFIGURE > PERIOD > GATE TIME

Select a gate time in seconds (.001, .01, .1, *or* 1), and then step through or exit the menu.

- **Remote Interface Operation:** The following commands set the gate time (aperture) for frequency or period measurements:

```
[SENSe:]FREQuency:APERture {<seconds>>MIN>MAX>DEF}  
[SENSe:]PERiod:APERture {<seconds>>MIN>MAX>DEF}
```

The following commands query the gate time setting:

```
[SENSe:]FREQuency:APERture? [{MIN>MAX}]  
[SENSe:]PERiod:APERture? [{MIN>MAX}]
```

Refer to the *Keysight 34410A/11A/L4411A Programmer's Reference Help* for a complete description and syntax for these commands.


## Auto Zero

Auto zero is selectable for dc voltage, dc current, 2-wire resistance, and 2-wire temperature measurements only. *Auto zero is always enabled for 4-wire resistance or 4-wire temperature measurements.*

When auto zero is ON (default) the multimeter internally disconnects the input signal immediately following each measurement, and takes a *zero* reading. It then subtracts the zero reading from the preceding measurement. This method prevents small offset voltages present on the multimeter's input circuitry from affecting measurement accuracy.

When auto zero is OFF, the multimeter takes one zero reading and subtracts it from all subsequent measurements. A new zero reading is taken each time you change the function, range or resolution (integration time).

When auto zero is set to ONCE, the multimeter takes one zero reading, then sets auto zero to OFF. The zero reading taken is used for all subsequent measurements until the next change to the function, range or integration time. If the selected integration time is less than 1 PLC, the zero reading is taken at 1 PLC to ensure normal mode noise rejection in the zero reading; then subsequent readings are taken at the set integration time.

- **Front Panel Operation:** Select a supported function. Press  as required.

... > AUTO ZERO

Select OFF, ONCE, or ON, and then step through or exit the menu.

- **Remote Interface Operation:** The following command enables or disables auto zero:

```
SENSe: <function>:ZERO:AUTO {OFF>ONCE>0>ON>1}
```

where *<function>* = VOLTage:DC, CURRent:DC, RESistance, or TEMPerature.

Auto zero may be also set indirectly using the CONFigure or MEASure commands.

The following command queries the auto zero feature status:

```
SENSe: <function>:ZERO:AUTO?
```

This query command returns “0” (OFF) or “1” (ON).

Refer to the *Keysight 34410A/11A/L4411A Programmer's Reference Help* for a complete description and syntax for these commands.

## Ranging

*Applies to all measurements except continuity and diode test, which use a fixed range. Temperature measurements always use autoranging.*

You can let the multimeter automatically select the range using *autoranging*, or you can select a fixed range using *manual ranging*. Autoranging is convenient because the multimeter automatically selects the appropriate range for sensing and displaying each measurement. However, manual ranging results in better performance, since the multimeter does not have to determine which range to use for each measurement.

- Autorange thresholds – The multimeter will shift range as follows:
  - Down range at <10% of present range
  - Up range at >120% of present range
- Ranging is local to the selected function; the multimeter remembers the selected ranging method (auto or manual) and selected manual range when you switch between measurement functions.
- *For frequency and period measurements*, the selected range is for the *ac voltage* level of the input signal.
- *For temperature measurements*, the multimeter uses autoranging, as appropriate for the probe type.
- *For continuity tests*, the multimeter range is fixed at 1 k $\Omega$ . *For diode tests* the range is fixed at 1 Vdc with a 1 mA current source output.
- **Front Panel Operation:** For applicable measurement functions, the ranging method and manual range may be selected by front panel shortcuts (see “*Ranging.*” on page 41).

Or, use the configuration menu for the selected function. For the latter method. Press **Config** as required:

... > RANGE > AUTO *or*

... > RANGE > MANUAL (select the desired range.)

Then step through or exit the menu.

For manual ranging: If the input signal is greater than can be measured on the selected range, the multimeter provides these overload indications:

$\pm$  OVLD from the front panel or “ $\pm 9.9E+37$ ” from the remote interface.

(The sign is  $\pm$  or +, whichever is appropriate.)

- **Remote Interface Operation:** Autoranging may be enabled or disabled for the specified function using the following command:

```
SENSe: <function>:RANGe:AUTO {OFF>ONCE>0>ON>1}
```

where *<function>* = VOLTage:DC, VOLTage:AC, CURRent:DC, CURRent:AC, RESistance, FRESistance, or CAPacitance.

For *<function>* = FREQuency or PERiod, the range commands affect the ac signal input voltage range.

The following command queries the autoranging feature status for the specified *<function>*:

```
SENSe: <function>:RANGe:AUTO?
```

This query command returns “0” (OFF) or “1” (ON).

The following command manually sets the multimeter range for the specified *<function>*:

```
SENSe:<function>:RANGe[:UPPER] {<range>>MIN>MAX>DEF}
```

A manual range may also be set using the CONFigure or MEASure commands.

The following command queries the multimeter range setting for the specified *<function>*:

```
SENSe:<function>:RANGe[:UPPER]? [{MIN>MAX}]
```

Refer to the *Keysight 34410A/11A/L4411A Programmer's Reference Help* for a complete description and syntax for all commands on this page.

**A Word About Ranging and Digits.** The 34410A/11A/L4411A is capable of displaying “6½ digits” for most measurements. The crossover is at a 20 percent overload for the currently selected range. Let’s look at an example for dc voltage with autoranging enabled. As the input voltage increases from just below 1 volt to just above 1.2 volts, you might see the following progression of readings on the front-panel display:

```
0.997,385 VDC
1.000,544 VDC
1.099,004 VDC
1.190,188 VDC
0.120,013 VDC
```

The first four readings are taken on the 1 Vdc range, but the autoranging feature switches to the 10 Vdc range for the final reading, which is a 20 percent overload for the 1 Vdc range. This is a typical 6½ digit behavior.

*For frequency measurements only*, the 34410A/11A/L4411A is capable of displaying a full seven digits (for example, “999.980,3 HZ”).

### Null Measurements

The 34410A/11A/L4411A allows separate null settings to be saved for each of the following measurement functions: dc voltage, ac voltage, dc current, ac current, resistance, frequency/period, capacitance, and temperature.

When making null (also called *relative*) measurements, each reading is the difference between a stored (selected or measured) null value and the input signal. One possible application is to increase accuracy of two-wire resistance measurements by nulling the test lead resistance. Nulling the leads is particularly important prior to making capacitance measurements. The formula used for calculating null measurements is:

$$\text{Result} = \text{reading} - \text{null value}$$

- The null value is adjustable, and you can set it to any value between 0 and  $\pm 120\%$  of the highest range, for the present function. *Note that the null value is entered in fundamental units* (for example, Vdc).
- **Front Panel Operation:** For any measurement function, you can directly measure and store the null value by pressing **Null** with the test leads open (nulls the test lead capacitance), shorted (nulls the test lead resistance), or across a desired null value circuit.

*Alternately*, you can enable null from the menu. Press **Config** as required:

... > NULL > ON > NULL VALUE

Enter the desired null value with the navigation keypad, and then step through or exit the menu. The **Null** annunciator is lit and the null function is enabled.

**To turn the null function off:** Press **Null** again, or use the menu.

- **Remote Interface Operation:** The following command enables the null measurement feature for the specified function:

```
SENSe:<function>:NULL[:STATe] {ON>OFF}
```

where *<function>* is any function except CONTInuity or DIODE.

The following command queries the null measurement feature setting:

SENSe: <function>:NULL[:STATe]?

This query returns a “0” (OFF) or “1” (ON).

The following command stores a null value for the specified function:

SENSe: <function>:NULL[:VALue] {<value>>MIN>MAX}

The following command queries the null value:



SENSe: <function>:NULL[:VALue]?

Refer to the *Keysight 34410A/11A/L4411A Programmer's Reference Help* for a complete description and syntax for these commands.

## Miscellaneous Configuration Settings

### Radix Character (34410A/11A)

*Available from the front panel only.* The multimeter can display the radix character (decimal point) as a period or a comma.



- The factory (default) setting is PERIOD.
- The radix character setting is stored in non-volatile memory.
- **Front Panel Operation:** Press   (Utility)

UTILITY MENU > MISC SETTINGS > BEEPER > RADIX CHAR

Select PERIOD or COMMA, and then step through or exit the menu.

### Thousands Separator (34410A/11A)

*Available from the front panel only.* The multimeter can display front panel readings *with* (ON) or *without* (OFF) a comma (thousands separator) delimiting the number into 3-digit sets.

- The factory (default) setting is ON.
- **Front Panel Operation:** Press   (Utility)



UTILITY MENU > MISC SETTINGS > BEEPER > RADIX CHAR > THOUSAND SEP

Select OFF or ON, and then step through or exit the menu.

### Beeper (34410A/11A)

Normally, the multimeter emits a tone from the front panel whenever certain conditions are met (for example, the multimeter beeps when a stable reading is captured in reading hold mode). The beeper is factory set to ON, but may be disabled or enabled manually.

- Turning off the beeper does *not* disable the key click generated when you press a front-panel key.
- A beep tone is always emitted (even with the beep state turned OFF) in the following cases.
  - A continuity measurement is less than or equal to the continuity threshold.
  - A SYSTem:BEEPer command is sent.
- A beep tone is emitted *only* if the beep state is ON in the following cases.
  - An error is generated.
  - A set LO or HI limit is exceeded in a limit test.
  - A stable reading is captured in the reading hold mode.
  - A forward-biased diode is measured in the diode test function.

- **Front Panel Operation:** Press   (Utility)

UTILITY MENU > MISC SETTINGS > BEEPER

Select OFF or ON, and then step through or exit the menu.

- **Remote Interface Operation:** The following command disables or enables the front panel beeper:

```
SYSTem:BEEPer:STATE {OFF>0>ON>1}
```

The following command queries the state of the beeper:

```
SYSTem:BEEPer:STATE?
```

This query returns a “0” (OFF) or “1” (ON).

Refer to the *Keysight 34410A/11A/L4411A Programmer's Reference Help* for a complete description and syntax for these commands.



## Math Functions

In addition to providing a separate null-per-function measurement capability, the multimeter provides four math functions: dB measurements (dB), dBm measurements (dBm), statistics for accumulated readings (STATS), and limit testing (LIMITS). Only one of these math functions can be enabled at a time (in addition to the null measurement), and remains in effect until you turn it off or change it.

- **Front Panel Operation:** Press **Shift** **Null** (**Math**)

MATH *Select:* OFF, dB, dBm, STATS *or* LIMITS.

See the dB, dBm, statistics, and limit testing sections that follow.

**To turn any math function off:** Press **Shift** **Null** (**Math**)

MATH > OFF

- **Remote Interface Operation:** The following command selects the math function to be used:

```
CALCulate:FUNCTION {NULL>DB>DBM>AVERAGE>LIMIT}
```

The following command queries the currently selected math function:

```
CALCulate:FUNCTION?
```

This query returns the currently selected function

The following command turns the CALCulate subsystem, and thus all math functions, on or off:

```
CALCulate[:STATE] {OFF>ON}
```

The following command queries the current calculation state:

```
CALCulate:STATE?
```

This query returns a “0” (OFF) or a “1” (ON).

Refer to the *Keysight 34410A/11A/L4411A Programmer's Reference Help* for a complete description and syntax for these commands.

### NOTE

The null function in the CALCulate:FUNCTION command is provided *only* for SCPI compatibility with the 34401A Multimeter. *This null is not available from the front panel.* The use of this null is deprecated for the 34410A/11A/L4411A. Use the null-per-function commands found in the [SENSe:] subsystem instead. See “**Null Measurements**” on page 60 and the *Keysight 34410A/11A/L4411A Programmer's Reference Help* for details.

## dB Measurements

*Applies to ac voltage and dc voltage measurements only.*

Each dB measurement is the difference between the input signal and a stored relative value, with both values converted to dBm.

$$dB = \text{reading in dBm} - \text{relative value in dBm}$$

- The *relative value* can take any value between 0 dBm and  $\pm 200.0$  dBm. The default relative value is 0 dBm. You can either let the instrument automatically measure this value, or you can enter a specified value.
- **Front Panel Operation:** Press **Shift** **Null** (**Math**)

MATH > dB > dB RELATIVE

Select MEASURE or VALUE.

- Select MEASURE if you want the instrument to set the relative value automatically by measurement. The **Math** annunciator will light and the reading will be displayed in **dB**.

If the configured settings will result in a long measurement time or have the multimeter waiting for an external trigger, the **Math** annunciator will flash until the relative value measurement is taken.

- Select VALUE if you want to enter a specific relative value. Use the navigation keypad to set the desired dB REL VALUE. The **Math** annunciator will light and the reading will be displayed in **dB**.

You can also select VALUE to view a previously set or measured value.

- **Remote Interface Operation:** The following command sequence selects the dB function, turns the function on, and sets a relative value.

```
CALCulate:FUNCTION DB
CALCulate:STATE ON
CALCulate:DB:REFERENCE <value>
```

Refer to the *Keysight 34410A/11A/L4411A Programmer's Reference Help* for a complete description and syntax for these commands.

## dBm Measurements

*Applies to ac voltage and dc voltage measurements only.*

The dBm function is logarithmic, and is based on a calculation of power delivered to a reference resistance, relative to 1 milliwatt.

$$dBm = 10 \times \log_{10} (\text{reading}^2 / \text{reference resistance} / 1 \text{ mW})$$

- You can choose from several reference resistance values: 50, 75, 93, 110, 124, 125, 135, 150, 250, 300, 500, 600, 800, 900, 1000, 1200, or 8000 (ohms). The default setting is 600 ohms.

- Front Panel Operation:** Press **Shift** **Null** (**Math**)

MATH > dBm > dBm REF R

Select the desired reference resistance. The **Math** annunciator turns on and the reading is now displayed in **dBm**.

- Remote Interface Operation:** The following command sequence selects the dBm function, turns the function on, and sets the reference resistance.

CALCulate:FUNctioN DBM

CALCulate:STATe ON

CALCulate:DBM:REFerence <value>

Refer to the *Keysight 34410A/11A/L4411A Programmer's Reference Help* for a complete description and syntax for these commands.

## Using Statistics

*Applies to all measurement functions except continuity and diode test.*

From the front panel, you can view the following statistical data for any set of readings: *average* or mean (AVG), *maximum* (MAX), *minimum* (MIN), *standard deviation* (SDEV), and *number of samples* taken (COUNT). From the remote interface you can read all of these, plus the *peak-to-peak* (MAX – MIN) value.

### NOTE

The stored statistical data are cleared when statistics are enabled, when the CALCulate:FUNctioN command is sent while CALCulate:STATe is ON, when the power has been off, when the CALCulate:AVERage:CLEar command is executed, after a Factory Reset (\*RST command), after an Instrument Preset (SYSTEM:PRESet command), or after a function change.

- Front Panel Operation:** Press **Shift** **Null** (**Math**)

MATH > STATS

Scroll the second display with the **Left Arrow** and **Right Arrow** keys to view the statistical data AVG, MAX, MIN, SDEV and COUNT.

- **Remote Interface Operation:** The following command enables the statistics function:

```
CALCulate:FUNCTION AVERAge
```

The following queries return the mean, minimum value, maximum value, standard deviation, peak-to-peak value, and number of readings, respectively, since statistics were enabled or cleared.

```
CALCulate:AVERAge:AVERAge?
```

```
CALCulate:AVERAge:MINimum?
```

```
CALCulate:AVERAge:MAXimum?
```

```
CALCulate:AVERAge:SDEVIation?
```

```
CALCulate:AVERAge:PTPeak?
```

```
CALCulate:AVERAge:COUNT?
```

Refer to the *Keysight 34410A/11A/L4411A Programmer's Reference Help* for a complete description and syntax for these commands.

### Limit Testing

*Applies to all measurement functions except continuity and diode test.*

The limit test function (LIMITS) enables you to perform pass/fail testing to upper and lower limits that you specify. You can set the upper and lower limits to any value between 0 and  $\pm 120\%$  of the highest range, for the present function. The upper limit you select *must* be a more positive number than the lower limit. The initial factory settings for both are “0”.

#### NOTE

The instrument clears all limits after a Factory Reset (\*RST command) or an Instrument Preset (SYSTEM:PRESet command), or when a function is changed.

- **Front Panel Operation:** Press **Shift** **Null** (**Math**)

```
MATH > LIMITS > LOW LIMIT > HIGH LIMIT
```

Set the desired LOW LIMIT and HIGH LIMIT in turn using the navigation keypad, and press **Enter**. The second display line shows a bar graph indicating the approximate reading on a scale from LO to HI:



The **Limits** annunciator indicates that the limits function is enabled. If the reading is lower than the low limit, LO will flash. If the reading exceeds the high limit, HI will flash. In either case, when a limit is crossed, the multimeter will also beep, if the beeper is enabled.

- **Remote Interface Operation:** The following command sequence selects the limit test function, turns that function on, and sets the lower and upper limits. You can assign a lower limit, an upper limit, or both.

```
CALCulate:FUNCTION LIMit
CALCulate:STATe ON
CALCulate:LIMit:LOWer <value>
CALCulate:LIMit:UPPer <value>
```

The following commands query the selected lower and upper limits.

```
CALCulate:LIMit:LOWer?
CALCulate:LIMit:UPPer?
```

Refer to the *Keysight 34410A/11A/L4411A Programmer's Reference Help* for a complete description and syntax for these commands.

## Triggering the Multimeter

The 34410A/11A/L4411A triggering system allows you to generate triggers either manually or automatically, take multiple readings per trigger, and insert a delay before each reading. The 34411A/L4411A also allows you to set a *level* for *internal* triggering, and to set up *pre-triggering*.

### Selecting a Trigger Source

Specify the source from which the multimeter will accept a trigger. The power-on default is *auto triggering* from the front panel. Several types of triggering are described in the sections that follow.

- **Front Panel Operation:**

- Press **Trigger** once to go to the single trigger mode. A single reading is taken, and another reading is taken each time you press **Trigger**, or when a hardware trigger is received on the **Ext Trig** connector.
- Press **Shift** **Trigger** (**Auto Trig**) and select:
  - TRIGGER > AUTO      *To return to auto trigger mode.*
  - TRIGGER > LEVEL      *To select internal (level) triggering (34411A only).*
  - TRIGGER > HOLD      *To select reading hold mode.*
  - TRIGGER > SETUP      *To enter the trigger setup menu.*

- **Remote Interface Operation:** The following command selects the trigger source from the remote interface:

```
TRIGger: SOURce {IMMediate>EXTernal|BUS>INTernal}
```

Where **INTernal** triggering applies *only* to the 34411A/L4411A.

Refer to the *Keysight 34410A/11A/L4411A Programmer's Reference Help* for a complete description and syntax for this command.

### Auto Triggering (34410A/11A)

*This mode is available from the front panel only.*

The power-on trigger default mode for the multimeter is front panel operation, in auto trigger mode.

- Auto triggering takes continuous readings at the fastest rate possible for the specified measurement configuration (function, range, resolution, and so forth).

- Auto triggering is a front panel mode similar to immediate triggering from the remote interface, but also sets the sample count to infinite and automatically initiates continuous measurements.
- *To enable auto triggering, press* **Shift** **Trigger** **( Auto Trig )**

TRIGGER > AUTO

### Single Triggering (34410A/11A)

*This mode is available from the front panel only.*

- The multimeter takes one reading, or a number of readings specified by a sample count you enter, each time you press **Trigger**, or upon receiving an external trigger signal on the rear-panel **Ext Trig** connector (see “*External Triggering*” on page 76). See also “*Number of Samples per Trigger*” on page 71.
- The **Trig** annunciator indicates that the multimeter is waiting for a trigger.

### Reading Hold (34410A/11A)

*This mode is available from the front panel only.*

The reading hold mode allows you to capture and hold a stable reading on the front panel display. This is useful in situations when you want to take a reading, remove the test probes, and have the reading remain on the display. When a stable reading is detected, the multimeter emits a beep (if the front-panel beeper is enabled) and holds the reading on the display.

- The sensitivity band for reading hold depends on the measurement function that is selected. The multimeter captures and displays a new value only when reading stability is detected.
- Reading hold is disabled if you change measurement functions, or if you change to remote mode.
- The currently configured range (auto or manual) is used for reading hold. If you manually select a new range, reading hold is disabled.
- *To enable reading hold, press* **Shift** **Trigger** **( Auto Trig )**

TRIGGER > HOLD

- The **Hold** annunciator is lit.
- Each time a stable reading is detected, the reading is displayed and the beeper sounds (if enabled).

### Immediate Triggering

*This mode is available from the remote interface only.*

In the *immediate* trigger mode, the trigger signal is always present. When you place the multimeter in the wait-for-trigger state, the trigger is issued immediately. This is the default trigger source for remote interface operation.

- **Remote Interface Operation:** The following command selects the immediate trigger source:

```
TRIGger:SOURce IMMEDIATE
```

The CONFIGure and MEASure? commands automatically set the trigger source to IMMEDIATE.

Refer to the *Keysight 34410A/11A/L4411A Programmer's Reference Help* for a complete description and syntax for these commands.

### Software (Bus) Triggering

*This mode is available from the remote interface only.*

The bus trigger mode corresponds in function to pressing the **Trigger** key from the front panel, except that the trigger is initiated by sending a bus trigger command, after selecting BUS as the trigger source.

- The following command selects the bus trigger source:

```
TRIGger:SOURce BUS
```

Then, any of the following commands will initiate readings:

```
MEASure?
```

```
READ?
```

```
INITiate
```

Refer to the *Keysight 34410A/11A/L4411A Programmer's Reference Help* for a complete description and syntax for these commands.

### Internal (Level) Triggering (34411A/L4411A)

*Applies only to ac and dc voltage, ac and dc current, and 2-wire and 4-wire resistance measurements, and only for the 34411A/L4411A.*

In the *internal* trigger mode, the 34411A/L4411A triggers on a positive or negative crossing (as selected) of a specified input level. You can specify both the trigger level, and the slope.

- **Front Panel Operation:** Press **Shift** **Trigger** (Auto Trig)



TRIGGER > LEVEL > TRIG LEVEL > TRIG SLOPE

Set TRIG LEVEL with the navigation keys, and then select NEG or POS for TRIG SLOPE. The **Trig** annunciator indicates “waiting for trigger”.

- **Remote Interface Operation:** The following command selects the internal trigger source:

```
TRIGger:SOURCE INTernal
```

The following command sets the trigger level on which to trigger:

```
TRIGger:LEVEL <level>
```

The following command sets the trigger slope (positive or negative):

```
TRIGger:SLOPE { POS|NEG }
```

Refer to the *Keysight 34410A/11A/L4411A Programmer's Reference Help* for a complete description and syntax for these commands.

## Number of Samples per Trigger

By default, when the multimeter is in the wait-for-trigger state, it takes one reading (or sample) each time you trigger the multimeter. You can, however, instruct the multimeter to take up to 50,000 readings (up to 1 million for the 34411A/L4411A) each time a trigger is initiated, whether from the front panel or remote interface.

- **Front Panel Operation:** Press **Shift** **Trigger** (Auto Trig)

```
TRIGGER > SETUP > N SAMPLES
```

Enter the desired number of samples per trigger using the navigation keypad, and then step through or exit the menu.

- **Remote Interface Operation:** The following command selects the number of samples the multimeter will take per trigger:

```
SAMple:COUNT { <count>>MIN>MAX }
```

After setting the sample count, you must place the meter in the wait-for-trigger state before readings are triggered

(see “*Software (Bus) Triggering*” on page 70).

Refer to the *Keysight 34410A/11A/L4411A Programmer's Reference Help* for a complete description and syntax for this command.

### Number of Pre-Trigger Samples (34411A/L4411A)

The 34411A and L4411A provide *pre-triggering*. This feature allows you to specify a pre-trigger sample count of readings to be retained before the trigger is received. The pre-trigger sample count must be less than the sample count. *Pre-triggering is primarily a remote interface function, and is described more completely in the Keysight 34410A/11A/L4411A Programmer's Reference Help.* However, you can set the pre-trigger count from the front panel, and you can use pre-triggering with the Data Logger feature (see “**Data Logging**” on page 80). *Pre-triggering is not supported for continuity or diode test.*

- **Front Panel Operation:** Press **Shift** **Trigger** ( **Auto Trig** )

TRIGGER > SETUP > N SAMPLES > PRE-TRIG CNT

Enter the desired number of pre-trigger samples per trigger using the navigation keypad, and then step through or exit the menu. (*The PRE-TRIG CNT selection appears only if N SAMPLES is greater than one.*)

- **Remote Interface Operation:** The following commands set the sample count (must be >1) and pre-trigger sample count:

```
SAMPlE:COUNT {<count>|MIN|MAX|DEF}
```

```
SAMPlE:COUNT:PRETrigger {<PT count>>MIN>MAX|DEF}
```

Refer to the *Keysight 34410A/11A/L4411A Programmer's Reference Help* for a complete description and syntax for this command.

## Trigger Delay

You can manually specify a delay between the trigger signal and the first sample that follows. This may be useful in applications where you want to allow the input signal to settle before taking a reading, or for pacing a burst of readings.

- The trigger delay may be set from 0 to 3600 seconds.
- The continuity and diode test functions *ignore* the trigger delay setting.
- If a trigger delay is not manually set, the default trigger delay is automatically set, based on function, range, integration time and/or ac filter setting (*see also "Automatic Trigger Delay" on page 74*).
- If you manually specify a trigger delay, *that delay* is used for *all* measurement functions (except continuity and diode test).

- **Front Panel Operation:** Press **Shift** **Trigger** (**Auto Trig**)

```
TRIGGER > SETUP > N SAMPLES > PRE-TRIG CNT > TRIG DELAY
```

Select AUTO, ZERO, or MANUAL:

- Select AUTO to use the automatic trigger delay.
- Select ZERO for a zero delay.
- Select MANUAL to enter the desired delay using the navigation keypad.

Then step through or exit the menu.

- **Remote Interface Operation:** The following command specifies the trigger delay, in seconds:

```
TRIGger:DElAY {<seconds>>MIN>MAX}
```

The following command specifies the automatic trigger delay:

```
TRIGger:DElAY:AUTO
```

If the multimeter is configured to take more than one sample per trigger, the effect of the trigger delay on subsequent samples depends on the sample source setting. Refer to the `SAMPLE:SOURCE` command description in the *Keysight 34410A/11A/L4411A Programmer's Reference Help* for a detailed description.

After setting the trigger delay, you must use the `INITiate` or `READ` command to place the meter in the wait-for-trigger state before readings are triggered (see *“Software (Bus) Triggering”* on page 70). The `MEASure?` command sets the trigger delay to `AUTO`.

Refer to the *Keysight 34410A/11A/L4411A Programmer's Reference Help* for a complete description and syntax for these command.

### Automatic Trigger Delay

If you do not specify a trigger delay, the multimeter selects the trigger delay time automatically. Automatic trigger delays are set to ensure that completely settled and accurate measurements are taken. The delay is determined by function, range, integration time, and ac filter setting.

#### NOTE

For measurements from the remote interface, the automatic trigger delay values are as shown in the tables that follow. These values are also used for single-trigger, reading-hold, and level-trigger measurements from the front panel. *However, for auto-trigger measurements from the front panel only, the automatic trigger delay is 50 ms for all measurement functions.*

#### DC Voltage Measurements (all ranges):

Integration Time	Trigger Delay
$\geq 1$ PLC	160 $\mu$ s
0.06 PLC or 0.2 PLC	130 $\mu$ s
$\leq 0.02$ PLC	100 $\mu$ s

#### DC Current Measurements (all ranges):

Integration Time	Trigger Delay
$\geq 1$ PLC	1.5 ms
0.06 PLC or 0.2 PLC	1.0 ms
$\leq 0.2$ PLC	1.0 ms

**2-wire Resistance Measurements:**

Range	Trigger Delay (for $\leq 0.02$ PLC)	Trigger Delay (for 0.06 or 0.2 PLC)	Trigger Delay (for $\geq 1$ PLC)
100 $\Omega$	80 $\mu$ s	100 $\mu$ s	130 $\mu$ s
1 k $\Omega$	110 $\mu$ s	130 $\mu$ s	160 $\mu$ s
10 k $\Omega$	130 $\mu$ s	160 $\mu$ s	190 $\mu$ s
100 k $\Omega$	540 $\mu$ s	670 $\mu$ s	800 $\mu$ s
1 M $\Omega$	5.0 ms	6.0 ms	7.5 ms
10 M $\Omega$ – 1G $\Omega$	60 ms	70 ms	84 ms

**4-wire Resistance Measurements**

Range	Trigger Delay (for $\leq 0.02$ PLC)	Trigger Delay (for 0.06 or 0.2 PLC)	Trigger Delay (for $\geq 1$ PLC)
100 $\Omega$ – 100 k $\Omega$	1.0 ms	1.0 ms	1.5 ms
1 M $\Omega$	10 ms	10 ms	15 ms
10 M $\Omega$ – 1G $\Omega$	100 ms	100 ms	100 ms

**Capacitance**

Trigger Delay
0 s

**AC Voltage Measurements (all ranges):**

AC Filter	Trigger Delay
Slow (3 Hz)	2.5 s
Medium (20 Hz)	625 ms
Fast (200 Hz)	25 ms

**AC Current Measurements (all ranges):**

AC Filter	Trigger Delay
Slow (3 Hz)	1.66 s
Medium (20 Hz)	250 ms
Fast (200 Hz)	25 ms

### Frequency and Period

Trigger Delay
1 s

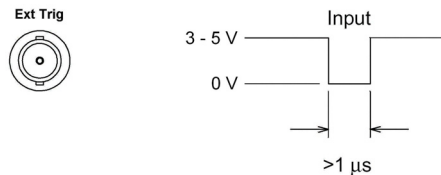
#### NOTE

Temperature is measured using the 2-wire or 4-wire resistance function. The above tables for resistance apply to temperature, but all temperature measurements use autoranging. The range in use cannot be predicted; thus, nor can the delay. Use the TRIGger:DElay? command to query the actual trigger delay for a temperature measurement.

For capacitance measurements the automatic trigger delay is zero (capacitor discharge is part of the measurement). The continuity and diode test functions ignore the trigger delay.

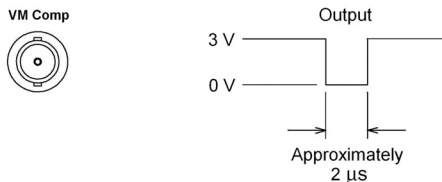
### External Triggering

External triggering takes one reading (or the specified number of readings) each time the multimeter receives a pulse on the rear-panel **Ext Trig** connector. You may select whether the multimeter uses the rising edge (POS) or falling edge (NEG) of the external trigger signal to trigger a reading (see *“Trigger Slope”* on page 78). The diagram below shows the **Ext Trig** connector timing (for a negative pulse).



- The multimeter buffers one external trigger. If the multimeter is currently taking a reading while another trigger occurs, that second trigger is accepted. After the reading in progress is completed, the stored trigger is issued.
- The **Trig** annunciator turns on when the multimeter is waiting for an external trigger.

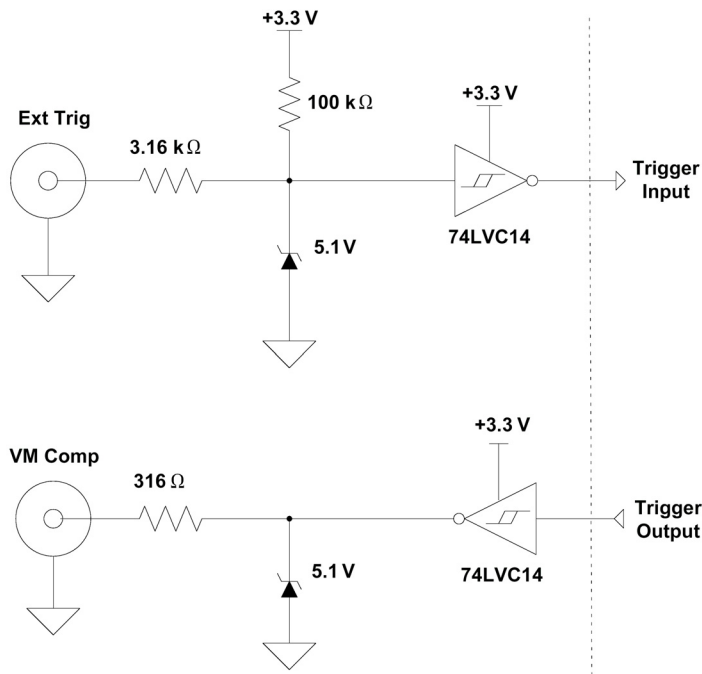
- The rear panel **VM Comp** (voltmeter complete) connector provides a pulse after completion of each measurement. Voltmeter complete and external trigger implement a standard hardware handshake sequence between measurement and switching devices. The diagram below shows the **VM Comp** connector timing (for a negative pulse).



- Front Panel Operation:** The external trigger mode corresponds in function to pressing the **Trigger** key from the front panel, except that you apply the trigger signal to the **Ext Trig** connector.
- Remote Interface Operation:** The following command selects the trigger source from the external connector:  
`TRIGger:SOURce EXTernal`

Refer to the *Keysight 34410A/11A/L4411A Programmer's Reference Help* for a complete description and syntax for this command.

**Trigger Input/Output Circuitry.** The following diagram is representative of the 34410A/11A/L4411A trigger input and output circuitry. In each circuit, a Schmitt Trigger (74LVC14) is used to prevent multiple triggers.



### Trigger Slope

You may select whether the multimeter uses the rising edge (POS) or falling edge (NEG) of the external trigger signal to trigger a reading, or (independently) for the voltmeter complete output signal. The default for both is NEG.

- **Front Panel Operation:** Press **(Shift) Trigger (Auto Trig)**

TRIGGER > SETUP > N SAMPLES > TRIG DELAY > TRIG SLOPE > VMC SLOPE

For each of TRIG SLOPE and VMC SLOPE, you can select either NEG or POS:

- TRIG SLOPE sets the slope of the **Ext Trig** input signal (NEG or POS).
- VMC SLOPE sets the slope of the **VM Comp** output signal (NEG or POS).

Then step through or exit the configuration menu.



- **Remote Interface Operation:** The following command selects the trigger slope for the external trigger (**Ext Trig**) connector:

```
TRIGger:SLOPe {POSitive>NEGative}
```

The following query returns the selected trigger slope for the **Ext Trig** connector:

```
TRIGger:SLOPe?
```

This query returns POS or NEG.

The following command selects the signal slope for the voltmeter complete (**VM Comp**) signal:

```
OUTPut:TRIGger:SLOPe {POSitive>NEGative}
```

The following query returns the selected trigger slope for the **VM Comp** connector:

```
OUTPut:TRIGger:SLOPe?
```

This query returns POS or NEG.

Refer to the *Keysight 34410A/11A/L4411A Programmer's Reference Help* for a complete description and syntax for this command.

## Data Logging

The Data Logger feature (**34410A/11A only**) provides a front-panel user interface that allows you to set up data logging into the instrument's non-volatile memory without programming, and without a connection to a computer. Once you have finished collecting data, you can view it from the front panel, or you can then connect your computer and import the data.


The 34410A/11A Web Interface provides a very convenient way of importing the data into your spreadsheet or other application.

### NOTE



The Data Logger logs data to *non-volatile* memory. Once the Data Logger has saved the data, you can turn off the power, move the multimeter, and then view or retrieve the logged data after turning the power back on. The 34410A and 34411A have non-volatile memory for up to 50,000 readings, which is the limit for the Data Logger feature.

The 34410A/11A allows you to set the following data logging parameters: START DELAY, INTERVAL, EVENTS/TIME (COUNT or DURATION).

- START DELAY is the delay time (0 to 3600 seconds) after initiating a trigger, before the data logging function takes its first reading.
- INTERVAL is the time (20  $\mu$ s to 3599.99999 s) between subsequent readings. *The minimum interval is configuration dependent and may be greater than 20  $\mu$ s.*
- EVENTS/TIME is the total duration of the data logging session. You can set a COUNT of total readings, with N SAMPLES settable from 1 to 50,000 readings. Or, you can set a DURATION in hours, minutes and seconds. The maximum duration that you can set is limited to that which results in 50,000 readings, but in no event more than HH:MM:SS = 99:59:59 (just under 100 hours).

- **Front Panel Operation:** To set up a data logging session, press 

DATA LOGGER > SETUP > START DELAY > INTERVAL > EVENTS/TIME

- For START DELAY, enter the desired delay (use the navigation keypad).
- For INTERVAL, enter the desired interval.
- For EVENTS/TIME, select either COUNT or DURATION. Select COUNT if you want to enter a total sample count. Select DURATION if you want to enter a time duration.
- Upon pressing , the message TO START - PRESS TRIGGER KEY appears. The data logger is now ready to go. Just press  to begin logging. (A trigger pulse on the **Ext Trig** connector will also initiate the session.)
- After the specified delay, the main display will show the data as it is collected, while the second display line shows a progress bar and the current count (down).

- The multimeter will continue taking readings until the specified count or duration has been reached, unless the data logger is stopped manually. After the programmed count or duration has been reached, the display will show SAVING READINGS, then LOGGING COMPLETE. The readings are stored in non-volatile memory.

To stop a data logging session in progress, press any key. The display will show DATA LOGGER? and offer the selections CONTINUE or STOP. *The data logger continues to take readings while this is displayed.*

- If you select STOP and press **Enter**, the display will read DATA TO NV?, prompting you to SAVE or DISCARD the readings already logged. Select one of these options and press **Enter** to terminate data logging.
- If you select CONTINUE and press **Enter**, the data logging function will continue as set up, until complete.

To read the data logged from the front panel, press **Data Log**

DATA LOGGER > VIEW-RDGS

Use **▶** and **◀** to scroll through the stored readings.

## NOTE

The 34411A provides *pre-triggering*. The data logger function can be used in conjunction with pre-triggering to collect data both before and after the triggering event. See “[Number of Pre-Trigger Samples \(34411A/L4411A\)](#)” on page 72 for information about setting a pre-trigger sample count.

- **Remote Interface Operation:** The following command returns all readings stored in non-volatile memory (NVMEM):

```
DATA:DATA? NVMEM
```

The following command deletes all readings stored in NVMEM.

```
DATA:DELEte NVMEM
```

The following command returns the number of data points in NVMEM

```
DATA:POINTs? NVMEM
```

Refer to the *Keysight 34410A/11A/L4411A Programmer's Reference Help* for a complete description and syntax for these commands.

## 2 Features and Functions

- **Web Interface Operation:** *To access the data in the multimeter's non-volatile memory, launch the 34410A/11A Web Interface (see “Keysight 34410A/11A Web Interface” on page 100):*

Information about this Web-Enabled Instrument	
Instrument:	34410A 6-1/2 Digit Multimeter
Serial Number:	2000920000
Description:	Agilent 34410A (2000920000)
Hostname:	
IP Address:	156.140.0.0
VISA TCPIP Connect String:	TCPIP0::156.140.0.0::INSTR

Turn Off Front Panel Identification Indicator

**Advanced information**

Use the navigation bar on the left to access your 6-1/2 Digit Multimeter and related information.

© Agilent Technologies, Inc. 2005

Click on Browser Web Control to display the Control DMM dialog box:

Control DMM \* OBSERVE ONLY \*

Start Meas Stop Meas View Data ...

**Measurement Settings**

Function: DC Volts DC Input Resistance:  10M  High

Range: Auto Autozero:  On  Off Peak Meas:  On  Off

Integration time / Resolution: 1 PLC; < 3.0E-07 x Range

Null:  Enable Null Null Value:

Math Functions:  Enable Math Statistics

**Trigger Settings**

Trigger Source: External Trigger Slope:  Pos  Neg

Trigger Count: 1  Inf

First Trigger Delay: 1.5962352E-4 sec  Auto

Sample Count: 200

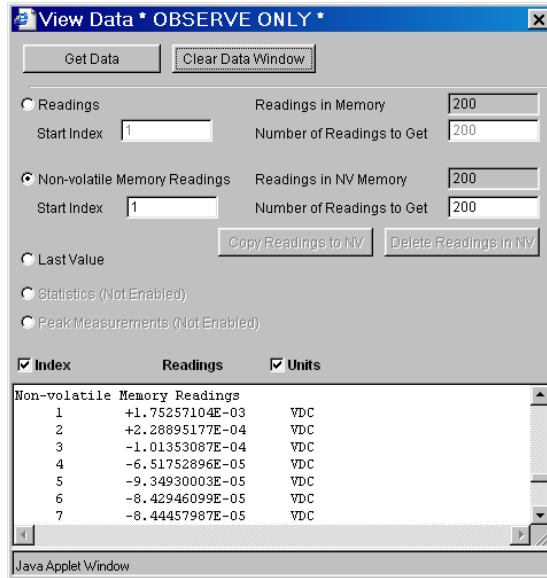
Sample Interval: 0.34239247 sec  Auto

VM Complete Slope:  Pos  Neg

OK Close Apply

Java Applet Window

Now click on View Data. In the dialog, select Non-volatile Memory Readings and then click on Get Data to view the logged data:



From this window, you can select and copy (see Web Interface Help) the data into another application using the Microsoft® Windows® clipboard.

In the example below, the data has been pasted from the clipboard directly into a Microsoft Excel spreadsheet.

	A	B	C	D
1	Non-volatile Memory Readings			
2	1	1.75E-03	VDC	
3	2	2.29E-04	VDC	
4	3	-1.01E-04	VDC	
5	4	-6.52E-05	VDC	
6	5	-9.35E-05	VDC	
7	6	-8.43E-05	VDC	
8	7	-8.44E-05	VDC	
9	8	-9.33E-05	VDC	
10	9	-9.29E-05	VDC	
11	10	-7.90E-05	VDC	

## System-Related Operations

The utility menu accesses the following system-related operations: self-test, display of error conditions, calibration, and instrument information. These features are described in the subsections that follow.

The utility menu is *also* used to access the following three menus:

- REMOTE I/O menu (see *Chapter 3, “Remote Interface Configuration”* for a complete description of the remote interface features).
- STORE/RECALL menu (see *“Multimeter State Storage”* on page 49 for a complete description of the state storage feature).
- MISC SETTINGS menu (see *“Miscellaneous Configuration Settings”* on page 61 for a complete description of these features).



### Self-Test

A *power-on self-test* occurs automatically when you turn on the instrument. This limited test assures you that the multimeter is operational. This self-test does not perform the extensive self test described below.

A *complete self-test* performs a series of internal tests, and takes about five seconds to execute.

If the power-on or complete self-test fails, an error is stored in the error queue. See the *Keysight 34410A/11A/L4411A Service Guide* for more information on obtaining service.

- Following the complete self-test, the instrument issues a Factory Reset (\*RST) command.

  (Utility)

- **Front Panel Operation:** Press

UTILITY MENU > SELF-TEST

If the test fails, the **Error** annunciator will light.

- **Remote Interface Operation:** The following command returns “+0” if the self-test is successful or “+1” if it fails.

\*TST?

Refer to the *Keysight 34410A/11A/L4411A Programmer’s Reference Help* for a complete description and syntax for this command.

## Error Conditions

When the front panel **ERROR** annunciator turns on (34410A/11A), one or more command syntax or hardware errors have been detected. A record of up to 20 errors can be stored in the instrument's *error queue*.

- The instrument (34410A/11A) beeps once each time a command syntax or hardware error is generated.
- Each remote interface I/O session (for example, GPIB, USB, LAN) has its own interface-specific error queue.
- A special *global* error queue holds all power-on and hardware-related errors (for example, over-temperature).
- Errors are retrieved in first-in-first-out (FIFO) order. The first error returned is the first error that was stored. Errors are cleared as you read them. Once you have read all of the interface-specific errors, the errors in the global queue are retrieved.
- Errors are cleared as you read them. When you have read all errors from the interface-specific and global error queues, the **ERROR** annunciator turns off and the errors are cleared.
- If more than 20 errors have occurred, the last error stored in the queue (the most recent error) is replaced with `-350, "Error queue overflow"`. No additional errors are stored until you remove errors from the queue. If no errors have occurred when you read the error queue, the instrument responds with `+0, "No error"`.
- The front panel reports errors from all I/O sessions as well as the global error queue.
- Both the interface-specific and global error queues are cleared by the `*CLS` (Clear Status) command and when power is cycled. The errors are also cleared when you read the error queue. The error queue is not cleared by a Factory Reset (`*RST`) command or an Instrument Preset (`SYSTEM:PRESet`) command.

## Reading the Error Queue

You can read the error queue either from the front panel, or from the remote interface.

- **Front Panel Operation:** Press **Shift** **Data Log** (**Utility**)

UTILITY MENU > SCPI ERRORS


Scroll through the errors using the navigation keypad. Press **Enter** to clear all errors from the queue.

- **Remote Interface Operation:** The following command reads and clears one error from the error queue in first-in-first-out order.  
SYSTEM:ERRor [:NEXT] ?

Refer to the *Keysight 34410A/11A/L4411A Programmer's Reference Help* for a complete description and syntax for this command.

### NISPOM Memory Sanitization

You can sanitize all user-accessible instrument memory either from the front panel, or from the remote interface. This complies with the requirements in chapter 8 of the National Instrument Security Program Operating Manual (NISPOM).

- **Front Panel Operation:** Press   (Utility)

UTILITY MENU > NISPOM

Select “YES” to sanitize all user-accessible memory.

- **Remote Interface Operation:** The following command sanitizes all user-accessible instrument memory.

SYSTEM:SECURITY:IMMEDIATE

Refer to the *Keysight 34410A/11A/L4411A Programmer's Reference Help* for a complete description and syntax for this command.

### Calibration

*Only service-qualified personnel should calibrate the multimeter.* Improper use of the front-panel CALIBRATION procedure in the UTILITY menu could result in damage to the multimeter. The multimeter is secured with a calibration security code at the factory. Refer to the *Keysight 34410A/11A/L4411A Service Guide* for calibration procedures.



## Power-On and Reset State

The tables that follow show the factory defaults for various instrument settings. The parameters marked with a bullet (●) are stored in *non-volatile* memory, and are not affected by power-on or a system reset. For those parameters, the *initial factory settings* are shown. All other parameters are stored in volatile memory, and are reset to the indicated values at power-on, after a front-panel Reset command, or after a \*RST or SYSTem:PRESet remote interface command.

Measurement Configuration	Factory Setting
Function	DC Volts
Range	Autorange (for all functions)
Resolution	6.5 digits (0.3 ppm x Range) *
Integration Time	NPLC On, 1 PLC *
Auto zero	On *
Aperture	Off, 1 second *
● Input Impedance	● 10 M $\Omega$ (fixed for all dc V ranges)
AC Input Filter (bandwidth)	20 Hz (medium filter)
Nulls (for individual measurement functions)	Off, 0 (for all functions)
Second Display	Off
* for all dc measurements	

Math Operations	Factory Setting
Math State	Off
Math Registers	Cleared (all registers)
dB Relative Value	0
dBm Reference Resistance	600 $\Omega$

Triggering Operations	Factory Setting
Trigger Count	1
Trigger Source	Immediate
Trigger Delay	Auto Delay
Sample Count	1
Sample Source	Auto
Sample Timer	1 second

System-Related Operations	Factory Setting
● Beeper Mode (34410A/11A)	● On
● Radix Character (34410A/11A)	● Period
● Thousands Separator (34410A/11A)	● On

## 2 Features and Functions

System-Related Operations	Factory Setting
Display State (34410A/11A)	On
Reading Memory	Cleared
Error Queue	Cleared at Power-On. Not cleared by a front panel or remote interface Reset command
● Stored States	● No change
● Calibration State	● Secured

Input/Output Configuration	Factory Setting
Enable Interfaces: <sup>1</sup>	
● LAN	● Enabled
● GPIB	● Enabled
● USB	● Enabled
Lan Settings: <sup>2</sup>	
● DHCP	● On
● Auto IP	● On
● IP Address	● 169.254.4.10
● Subnet Mask	● 255.255.0.0
● Default Gateway	● 0.0.0.0
● DNS Server	● 0.0.0.0
● Host Name	● A-34410A- <i>nnnnn</i> (for 34410A) <sup>3</sup> ● A-34411A- <i>nnnnn</i> (for 34411A) ● A-L4411A- <i>nnnnn</i> (for L4411A)
● LAN Services <sup>1</sup>	● Enable All
GPIB Settings:	
● GPIB Address	● 22
<sup>1</sup> Interface enable or LAN service changes take effect only after you cycle power. <sup>2</sup> LAN setting changes require a LAN restart. From SCPI you must cycle power. <sup>3</sup> Where <i>nnnnn</i> represents the last 5 digits of the instrument serial number.	

### NOTE

The power-on/reset state may be different than that in the above tables if you have enabled the power-on state recall mode (PWR-ON AUTO set to On from the **Utility** menu). Also, you can recall one of four stored instrument states other than the power-on state. See *“Multimeter State Storage”* on page 49 for further information.

## 3 Remote Interface Configuration

<b>Configuring the GPIB Interface</b>	<b>91</b>
<b>Configuring the USB Interface</b>	<b>92</b>
<b>Configuring the LAN Interface</b>	<b>93</b>
<b>Configuring LAN Parameters</b>	<b>94</b>
DHCP	94
Auto-IP	94
IP Address	94
Subnet Mask	95
Default Gateway	95
Host Name	96
DNS Server	96
Web Password	96
Instrument Unexpectedly Goes into Remote	97
<b>Setting up a LAN connection from the Front Panel</b>	<b>98</b>
<b>Setting up a LAN connection from the Remote Interface</b>	<b>99</b>
<b>Keysight 34410A/11A Web Interface</b>	<b>100</b>

### NOTE

For remote interface configuration information specific to the L4411A, refer to the *L4411A Getting Started Guide* (p/n L4411-90001).

---

### 3 Remote Interface Configuration

This chapter tells how to configure the Keysight 34410A/11A for remote interface communication. For additional information, refer to the:

- *Keysight USB/LAN/GPIB Connectivity Guide* for interface configuration and troubleshooting information. This manual is found on the Keysight Automation–Ready CD–ROM or at [www.keysight.com/find/connectivity](http://www.keysight.com/find/connectivity).
- *Keysight 34410A/11A/L4411A Programmer's Reference Help* for information on programming the instrument using SCPI commands. This help file is found on the *Keysight 34410A/11A/L4411A Product Reference* CD–ROM.

The Keysight 34410A/11A supports GPIB, USB, and LAN interfaces. All three interfaces are enabled at power on. The front panel **Remote** annunciator turns on whenever there is activity on the remote interface.

- **GPIB Interface** You need only set the GPIB address for the instrument (the factory default is 22) and connect it to your PC using a GPIB cable (sold separately).
- **USB Interface** There is nothing to configure on your instrument for a USB connection. Just connect the instrument to your PC using the USB 2.0 cable included with the instrument.
- **LAN Interface** By default, DHCP is enabled on the instrument, which may enable network communication over the LAN interface (10BaseT/100BaseTx). You may need to set several configuration parameters as described in the LAN configuration sections that follow.



#### NOTE

To configure and verify an interface connection between the 34410A/11A and your PC, use the *Keysight IO Libraries Suite* (E2094M Keysight IO Libraries for Windows) or an equivalent. For more information about Keysight's I/O connectivity software, go to [www.keysight.com/find/iolib](http://www.keysight.com/find/iolib).

- Keysight IO Libraries Suite for Windows® 98/2000/ME/XP. For more information and to install this software see the Keysight Automation–Ready CD-ROM provided with your 34410A/11A.
- To download the latest (or previous) version of this software for Windows® 98/NT/2000/ME/XP from the Web, go to [www.keysight.com/ find/iolib](http://www.keysight.com/find/iolib).

## Configuring the GPIB Interface

Each device on the GPIB (IEEE–488) interface must have a unique address. You can set the multimeter’s address to any integral value between 0 and 30. The address is set to “22” when the instrument is shipped from the factory.

- Your computer’s GPIB interface card has its own address. Be sure to avoid using *that* address for any instrument on the interface bus.
- The GPIB address is stored in non–volatile memory, and does not change when power has been off, after a Factory Reset (\*RST) command, or after an Instrument Preset (SYSTEM:PRESet) command.
- **Front Panel Operation:** Press   (Utility)

```
UTILITY MENU > REMOTE I/O > GPIB > ENABLE GPIB? > GPIB
ADDRESS
```

After enabling or disabling GPIB, you must cycle the power for the change to take effect.

- **Remote Interface Operation:** The following command enables the GPIB remote interface:

```
SYSTEM:COMMunicate:ENABLE ON,GPIB
```

The following command queries the state of the GPIB interface:

```
SYSTEM:COMMunicate:ENABLE? GPIB
```

This query returns a “0” (OFF) or a “1” (ON).

The following command sets the multimeter’s GPIB (IEEE–488) address:

```
SYSTEM:COMMunicate:GPIB:ADDRESS {<address>}
```



The following query returns the IP address, (for example “+22”):

```
SYSTEM:COMMunicate:GPIB:ADDRESS?
```

Refer to the *Keysight 34410A/11A/L4411A Programmer’s Reference Help* for complete description and syntax for these commands.

## Configuring the USB Interface

For the USB interface, no configuration parameters are *required* to set up the multimeter. Connect your multimeter to a USB port on your computer. Note that it may take several seconds for the computer to recognize and establish a connection to the multimeter.


- **Front Panel Operation:** Press   (Utility)

UTILITY MENU > REMOTE I/O > USB > ENABLE USB? > USB ID

After enabling or disabling USB, you must cycle the power for the change to take effect.

Note that you generally do not need to know what the USB ID string is for your instrument, as connections are automatic for most software. However, the string is unique to your instrument and has the following format:

USB0::<mfgID>::<modID>::<serial#>::INSTR

You will need to scroll the USB ID ( ) to view the entire string.

- **Remote Interface Operation:** The following command enables the USB remote interface:

```
SYSTEM:COMMunicate:ENABle ON,USB
```

The following command queries the state of the USB interface:

```
SYSTEM:COMMunicate:ENABle? USB
```

This query returns a “0” (OFF) or a “1” (ON).

Refer to the *Keysight 34410A/11A/L4411A Programmer's Reference Help* for complete description and syntax for these commands.

## Configuring the LAN Interface

By default, LAN connectivity with DHCP (Dynamic Host Configuration Protocol) is enabled on the 34410A/11A. In many cases you can simply let DHCP assign the necessary parameters for a LAN connection. However, you can also turn off DHCP and set parameters manually.

**LAN Parameters** You may choose to manually set the following parameters, as described in the subsections that follow. Following these descriptions are procedures for setting up a LAN configuration from the front panel and the remote interface.

- IP Address
- Subnet Mask
- Default Gateway
- DNS Server
- Host Name
- LAN Services (Visa LAN, Sockets, Telnet, Keysight Web Server)
- Web Password

### NOTE

The IP Address, Subnet Mask, Default Gateway, and DNS Server parameters use “dot-notation” addresses. Dot-notation addresses (“nnn.nnn.nnn.nnn” where “nnn” is a byte value) must be expressed with care:

Most *computers* will interpret byte values with leading zeros as *octal numbers*. For example, “255.255.020.011” is actually equivalent to decimal “255.255.16.9” not “255.255.20.11” because the computer will interpret “.020” as “16” expressed in octal, and “.011” as “9”.

However, *the multimeter* assumes that all dot-notation addresses are expressed as *decimal byte values* and strips all leading zeros from these byte values. Thus, attempting to set an IP address of “255.255.020.011” will become “255.255.20.11” (a purely decimal expression). Be sure to enter the exact expression, “255.255.20.11”, in your computer web software to address the instrument. To avoid confusion, use only decimal expressions of byte values (0 to 255), with no leading zeros.

---

## Configuring LAN Parameters

### DHCP

DHCP is a protocol for automatically assigning a dynamic IP address, subnet mask and default gateway to a device on a network, and is typically the *easiest* way to configure your multimeter for remote communication using the LAN interface.

- Changing the DHCP setting will cause an automatic LAN restart.
- When DHCP is *enabled* (factory setting), the multimeter will try to obtain an IP address from a DHCP server. If a DHCP server is found, it will assign a dynamic IP address, Subnet Mask, and Default Gateway to the instrument. The DHCP server may also assign the DNS address, and may change the specified Host Name if a manually specified Host Name is already in use.
- When DHCP is *disabled* or unavailable, the multimeter will use the static IP address, Subnet Mask, and Default Gateway during power-on.
- If a DHCP LAN address is *not* assigned by a DHCP server, then a static IP will be assumed after approximately 1 minute.
- If Auto-IP is enabled, a *dynamic* (rather than static) IP address will be assigned by the server at power-on.

### Auto-IP

The Auto-IP standard automatically assigns an IP address to the multimeter when on a network that does not have DHCP servers.

- Changing the Auto-IP setting will cause an automatic LAN reset.
- Auto-IP allocates IP addresses from the link-local address range (169.254.xxx.xxx).
- From the factory, the Auto-IP setting is enabled.
- The IP address is stored in non-volatile memory, and does not change when power has been off, after a Factory Reset (\*RST) command, or after an Instrument Preset (SYSTEM:PRESet) command.

### IP Address

An Internet Protocol (IP) Address is required for all IP and TCP/IP communications with the instrument. If DHCP is enabled (factory setting), the specified static IP address is not used. However, if the DHCP server fails to assign a valid IP address, *or* if DHCP and Auto-IP are *both* off, the currently configured static IP address will be used.

- Changing the IP address will cause an automatic LAN reset.



- The factory-set default IP Address is “169.254.4.10”.
- If you are planning to use a static IP address on a corporate LAN, contact your network administrator to obtain a fixed IP address to be used exclusively for your instrument.
- The IP address is stored in non-volatile memory, and does not change when power has been off, after a Factory Reset (\*RST) command, or after an Instrument Preset (SYSTEM:PRESet) command.

## Subnet Mask

The multimeter uses the Subnet Mask to determine if a client IP address is on the same local subnet. When a client IP address is on a different subnet, all packets must be sent to the Default Gateway. Contact your network administrator to determine if subnetting is being used and for the correct Subnet Mask.

- Changing the Subnet Mask setting will cause an automatic LAN reset.
- The default Subnet Mask for the 34410A/11A multimeter is “255.255.0.0”.
- A value of “0.0.0.0” or “255.255.255.255” indicates that subnetting is not being used.
- The Subnet Mask is stored in non-volatile memory, and does not change when power has been off, after a Factory Reset (\*RST) command, or after an Instrument Preset (SYSTEM:PRESet) command.

## Default Gateway

A Default Gateway address allows the multimeter to communicate with systems that are not on the local subnet. Thus, this is the Default Gateway where packets are sent which are destined for a device not on the local subnet, as determined by the Subnet Mask setting. Contact your network administrator to determine if a gateway is being used and for the correct address.

- Changing the Default Gateway setting will cause an automatic LAN reset.
- The default for the multimeter is “0.0.0.0” (no gateway, and subnetting is not being used).
- The Default Gateway is stored in non-volatile memory, and does not change when power has been off, after a Factory Reset (\*RST) command, or after an Instrument Preset (SYSTEM:PRESet) command.

### Host Name

The Host Name is the host portion of the domain name, which is translated into an IP address.

- Changing the Host Name will cause an automatic LAN reset.
- The default Host Name for the multimeter is “A-34410A-*nnnnn*” for the 34410A, and “A-34411A-*nnnnn*” for the 34411A, where *nnnnn* is the last five digits of the instrument’s serial number representation.
- If Dynamic Domain Name System (DNS) is available on your network and your multimeter uses DHCP, the Host Name is registered with the Dynamic DNS service at power-on.
- The Host Name is stored in non-volatile memory, and does not change when power has been off, after a Factory Reset (\*RST) command, or after an Instrument Preset (SYSTem:PRESet) command.

### DNS Server

The Domain Name Service (DNS) is an Internet service that translates Domain names into IP addresses. Contact your network administrator to determine if DNS is being used and for the correct address.

- If you change the DNS address, you must cycle power on the multimeter to activate the new setting.
- The default DNS Address for the multimeter is “0.0.0.0”.
- The DNS Server address is stored in non-volatile memory, and does not change when power has been off, after a Factory Reset (\*RST) command, or after an Instrument Preset (SYSTem:PRESet) command.

### Web Password

You can control access to certain features of the 34410A/11A Web Interface (*see “Keysight 34410A/11A Web Interface” on page 100*) using password protection. The password is *disabled* by default. You can enable and set a web password from the front panel. A web password consists of up to 12 alphanumeric characters.

## Instrument Unexpectedly Goes into Remote

If your 34410A/11A unexpectedly goes into remote mode, it is likely because you have the instrument configured to the LAN on someone else's host controller. Operations on that host controller can query your instrument causing it to go into remote mode. To prevent this, do any of the following:

- Disconnect the instrument from the LAN.
- Disable the LAN interface from the front panel (Utility menu).
- Use `SYST:COMM:LAN:HISTORY?` to determine the IP address that is causing the problem. Then delete your instrument's LAN address from that host controller.

## Setting up a LAN connection from the Front Panel

Press **Shift** **Data Log** (Utility)

UTILITY MENU > REMOTE I/O > LAN > ENABLE LAN? > LAN SETTINGS >  
VIEW | MODIFY

### NOTE

If you disable or re-enable the LAN interface, or any of the LAN services, you must cycle the power on the instrument to activate the new configuration. Other settings are activated by a LAN restart when you exit the LAN menu.

- Select VIEW to view the current LAN settings.
- Select MODIFY to change the LAN settings. The following submenus are displayed:
  - 1 RESET LAN? – NO or YES
  - 2 DHCP – OFF or ON
  - 3 AUTO IP – OFF or ON
  - 4 IP ADDRESS. – Set IP address in dot notation using navigation keypad. *This parameter appears only if both DHCP and AUTO IP are OFF.*
  - 5 SUBNET MASK – Set subnet mask in dot notation using navigation keypad. *This parameter appears only if both DHCP and AUTO IP are OFF.*
  - 6 DEF GATEWAY – Set default gateway in dot notation using navigation keypad. *This parameter appears only if both DHCP and AUTO IP are OFF.*
  - 7 DNS SERVER – Set DNS address in dot notation using navigation keypad. *This parameter appears only if both DHCP and AUTO IP are OFF.*
  - 8 HOST NAME – Enter desired host name using navigation keypad. The Host Name must be a string of alphanumeric characters plus dashes (“-”), up to 15 characters, with the first character a letter.
  - 9 LAN SERVICES – ENABLE ALL or SELECT. SELECT allows you to enable or disable the individual services (VISA LAN, SOCKETS, TELNET or WEB SERVER).

If you disable or re-enable any of the LAN services, you must cycle the power on the instrument for the change to take effect.
  - 10 WEB PASSWORD – DISABLE or ENABLE. Select ENABLE and use the navigation keypad to enter the desired password, up to 12 alphanumeric characters in length.

## Setting up a LAN connection from the Remote Interface

Use the following SCPI commands to configure the LAN interface.

### NOTE

If you disable or re-enable the LAN interface, you must cycle the power for the change to take effect. You must also cycle power when you disable or re-enable any of the LAN services, or change any LAN settings from the remote interface using SCPI commands.

- To enable or disable the LAN remote interface:  
`SYSTEM:COMMunicate:ENABle {OFF>0>ON>1}, LAN`
- To enable or disable the use of DHCP for the LAN interface:  
`SYSTEM:COMMunicate:LAN:DHCP {OFF>0>ON>1}`
- To enable or disable the use of Auto-IP for the LAN interface:  
`SYSTEM:COMMunicate:LAN:AUTOip[STATe] {OFF>0>ON>1}`
- To assign the LAN a static IP address:  
`SYSTEM:COMMunicate:LAN:IPADdress "<address>"`
- To assign a LAN Subnet Mask:  
`SYSTEM:COMMunicate:LAN:SMASk "<mask>"`
- To assign a LAN Default Gateway:  
`SYSTEM:COMMunicate:LAN:GATEWay "<address>"`
- To assign a LAN Host Name:  
`SYSTEM:COMMunicate:LAN:HOSTname "<name>"`
- To assign the LAN a static DNS address:  
`SYSTEM:COMMunicate:LAN:DNS "<address>"`
- To assign a LAN Domain Name:  
`SYSTEM:COMMunicate:LAN:DOMain "<name>"`

Query forms of these commands are also available. Refer to the *Keysight 34410A/11A/L4411A Programmer's Reference Help* for complete command description and syntax.

## Keysight 34410A/11A Web Interface

The 34410A/11A provides a built-in Web Interface. You can use this interface over LAN for remote access and control of the multimeter using a Java-enabled Web browser, such as Microsoft® Internet Explorer.

*To access and use the 34410A/11A Web Interface:*

- 1 Establish a LAN interface connection from your computer to the multimeter.
- 2 Open your computer's Web browser.
- 3 Launch the *34410A/11A Web Interface* by entering the IP address of your multimeter, or its fully-qualified host name, in the browser address field. The following welcome screen appears.

**Agilent Technologies** 6-1/2 Digit Multimeter

Welcome to your **Web-Enabled 6-1/2 Digit Multimeter**

**Information about this Web-Enabled Instrument**

<b>Instrument:</b>	34410A 6-1/2 Digit Multimeter
<b>Serial Number:</b>	2000920000
<b>Description:</b>	Agilent 34410A (2000920000)
<b>Hostname:</b>	
<b>IP Address:</b>	156.140.0.0
<b>VISA TCPIP Connect String:</b>	TCPIP0::156.140.0.0::INSTR

[Turn Off Front Panel Identification Indicator](#)

[Advanced information](#)

Use the navigation bar on the left to access your 6-1/2 Digit Multimeter and related information.

© Agilent Technologies, Inc. 2005

- 4 For further information, click Help with this Page and follow the instructions in the Web Interface Help.

## 4 Measurement Tutorial

The Keysight 34410A/11A/L4411A multimeter is capable of making highly accurate measurements. In order to achieve the greatest accuracy, you must take the necessary steps to eliminate potential measurement errors. This chapter describes common errors found in measurements and gives suggestions to help you avoid these errors.

### **DC Measurement Considerations 103**

Thermal EMF Errors 103

Loading Errors (dc volts) 103

#### **Noise Rejection 104**

Rejecting Power-Line Noise Voltages 104

Common Mode Rejection (CMR) 104

Noise Caused by Magnetic Loops 105

Noise Caused by Ground Loops 105

#### **Resistance Measurement Considerations 106**

4-Wire Ohms Measurements 106

Removing Test Lead Resistance Errors 107

Minimizing Power Dissipation Effects 107

Errors in High Resistance Measurements 107

### **True RMS AC Measurements 108**

True RMS Accuracy and High-Frequency Signal Content 109

Estimating High-Frequency (Out-of-Band) Error 112

**Other Primary Measurement Functions 114**

Frequency and Period Measurement Errors 114

DC Current Measurements 115

Capacitance Measurements 115

Temperature Measurements 117

Probe Type Choice 118

2-Wire vs. 4-Wire Measurements 118

Auto Zero On/Off 118

Integration 118

Offset Compensation 119

NULL Reading: 119

**High-Speed Measurements 120**

Making High-Speed AC Measurements 120

Making High-Speed dc and Resistance Measurements 121

**Other Sources of Measurement Error 122**

Settling Time Effects 122

Loading Errors (ac volts) 122

Measurements Below Full Scale 123

High-Voltage Self-Heating Errors 123

AC Current Measurement Errors (Burden Voltage) 123

Low-Level Measurement Errors 123

Common Mode Errors 124

Leakage Current Errors 124



## DC Measurement Considerations

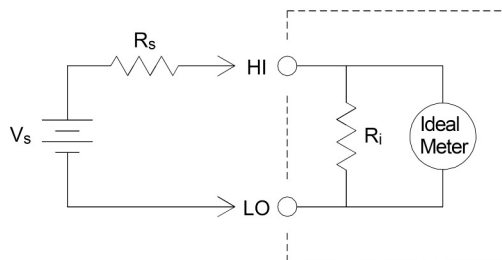
### Thermal EMF Errors

Thermoelectric voltages are the most common source of error in low-level dc voltage measurements. Thermoelectric voltages are generated when you make circuit connections using dissimilar metals at different temperatures. Each metal-to-metal junction forms a thermocouple, which generates a voltage proportional to the junction temperature. You should take the necessary precautions to minimize thermocouple voltages and temperature variations in low-level voltage measurements. The best connections are formed using copper-to-copper crimped connections, as the multimeter's input terminals are a copper alloy. The table below shows common thermoelectric voltages for connections between dissimilar metals.

Copper to –	Approx. $\mu\text{V} / ^\circ\text{C}$	Copper to –	Approx. $\mu\text{V} / ^\circ\text{C}$
Cadmium-Tin Solder	0.2	Aluminum	5
Copper	<0.3	Tin-Lead Solder	5
Gold	0.5	Kovar or Alloy 42	40
Silver	0.5	Silicon	500
Brass	3	Copper-Oxide	1000
Beryllium Copper	5		

### Loading Errors (dc volts)

Measurement loading errors occur when the resistance of the device-under-test (DUT) is an appreciable percentage of the multimeter's own input resistance. The diagram below shows this error source.



$V_s$  = ideal DUT voltage  
 $R_s$  = DUT source resistance  
 $R_i$  = multimeter input resistance  
 ( 10 M $\Omega$  or >10 G $\Omega$  )

$$\text{Error (\%)} = \frac{100 \times R_s}{R_s + R_i}$$

To reduce the effects of loading errors, and to minimize noise pickup, you can set the multimeter's input resistance to >10 G $\Omega$  (the HI-Z setting) for the 100 mVdc, 1 Vdc, and 10 Vdc ranges. The input resistance is maintained at 10 M $\Omega$  for the 100 Vdc and 1000 Vdc ranges.

## Noise Rejection

### Rejecting Power-Line Noise Voltages

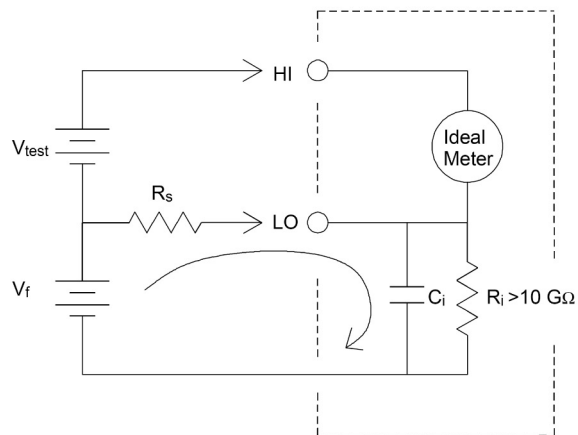
A desirable characteristic of integrating analog-to-digital (A/D) converters is their ability to reject power-line related noise present with dc input signals. This is called normal mode noise rejection, or NMR. The multimeter achieves NMR by measuring the average dc input by "integrating" it over a fixed period. If you set the integration time to a whole number of power line cycles (PLCs), these errors (and their harmonics) will average out to approximately zero.

The multimeter provides four integration selections (1, 2, 10 and 100 PLCs) that achieve NMR. The multimeter measures the power-line frequency (50 Hz or 60 Hz), and then determines the corresponding integration time. For a complete listing of NMR, approximate added rms noise, reading rate, and resolution for each integration setting, see the *Performance vs. Integration Time* table on [page 130](#).

You can also program specific apertures, using the INTEGRATION settings, to reject undesired signal frequency components.

### Common Mode Rejection (CMR)

Ideally, a multimeter is completely isolated from earth-referenced circuits. However, there is finite resistance between the multimeter's input LO terminal and earth ground, as shown below. This can cause errors when measuring low voltages which are floating relative to earth ground.



$V_f$  = float voltage  
 $R_s$  = DUT source resistance imbalance  
 $R_i$  = multimeter isolation resistance (LO-Earth)  
 $C_i$  = multimeter input capacitance:  
 $\approx 200$  pF (LO-Earth)

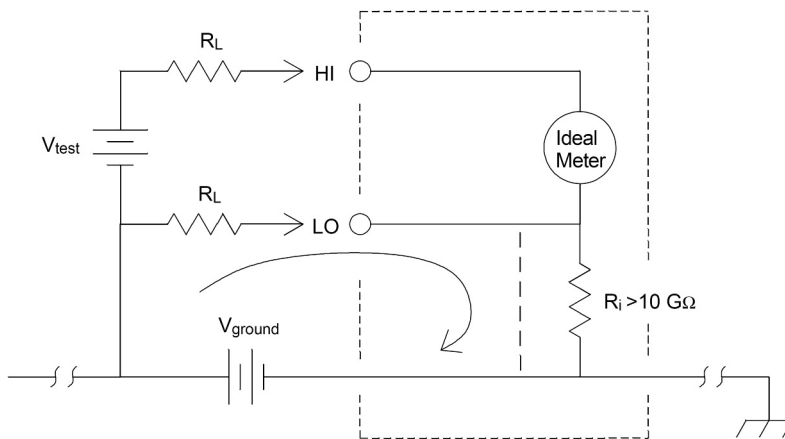
$$\text{Error (v)} = \frac{V_f \times R_s}{R_s + R_i}$$

## Noise Caused by Magnetic Loops

If you are making measurements near magnetic fields, take caution to avoid inducing voltages in the measurement connections. You should be especially careful when working near conductors carrying large currents. Use twisted-pair connections to the multimeter to reduce the noise pickup loop area, or dress the test leads as close together as possible. Loose or vibrating test leads will also induce error voltages. Tie down test leads securely when operating near magnetic fields. Whenever possible, use magnetic shielding materials or increased distance from magnetic sources.

## Noise Caused by Ground Loops

When measuring voltages in circuits where the multimeter and the device-under-test are both referenced to a common earth ground, a "ground loop" is formed. As shown below, any voltage difference between the two ground reference points ( $V_{\text{ground}}$ ) causes a current to flow through the measurement leads. This causes noise and offset voltage (usually power-line related), which are added to the measured voltage.



$R_L$  = lead resistance  
 $R_i$  = multimeter isolation resistance  
 $V_{\text{ground}}$  = voltage drop on ground bus

The best way to eliminate ground loops is to isolate the multimeter from earth by *not* grounding the input terminals. If the multimeter must be earth-referenced, connect it *and* the device-under-test to the same common ground point. Also connect the multimeter and device-under-test to the same electrical outlet whenever possible.

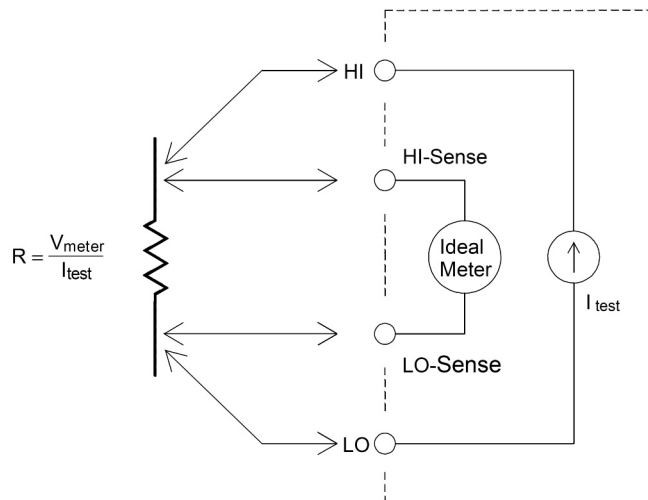
## Resistance Measurement Considerations

The multimeter offers two methods for measuring resistance: 2-wire and 4-wire ohms. For both methods, the test current flows from the input HI terminal and then through the resistor being measured. For 2-wire ohms, the voltage drop across the resistor being measured is sensed internal to the multimeter. Therefore, test lead resistance is also measured. For 4-wire ohms, separate "sense" connections are required. Since no current flows in the sense leads, the resistance in these leads does not give a measurement error.

*The errors mentioned earlier in this chapter for dc voltage measurements also apply to resistance measurements. Additional error sources unique to resistance measurements are discussed on the following pages.*

### 4-Wire Ohms Measurements

The 4-wire ohms method provides the most accurate way to measure small resistances. Test lead resistances and contact resistances are automatically reduced using this method. Four-wire ohms is often used in automated test applications where resistive and/or long cable lengths, numerous connections, or switches exist between the multimeter and the device-under-test. The recommended connections for 4-wire ohms measurements are shown below. *See also "To Make a 4-wire Resistance Measurement" on page 19.*



## Removing Test Lead Resistance Errors

To eliminate offset errors associated with the test lead resistance in 2-wire ohms measurements, follow the steps below.

- 1 Short the ends of the test leads together. The multimeter displays the test lead resistance.
- 2 Press **[Null]**. The multimeter will store the test lead resistance as the 2-wire ohms null value, and enable that value to be subtracted from subsequent measurements.

See also "*Null Measurements*" on page 60.

## Minimizing Power Dissipation Effects

When measuring resistors designed for temperature measurements (or other resistive devices with large temperature coefficients), be aware that the multimeter will dissipate some power in the device-under-test.

If power dissipation is a problem, you should select the multimeter's next higher measurement range to reduce the errors to acceptable levels. The following table shows several examples.

Range	Test Current	DUT Power at Full Scale
100 $\Omega$	1 mA	100 $\mu$ W
1 k $\Omega$	1 mA	1 mW
10 k $\Omega$	100 $\mu$ A	100 $\mu$ W
100 k $\Omega$	10 $\mu$ A	10 $\mu$ W
1 M $\Omega$	5 $\mu$ A	25 $\mu$ W
10 M $\Omega$	500 nA	2.5 $\mu$ W

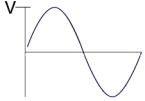
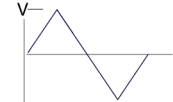
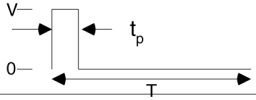
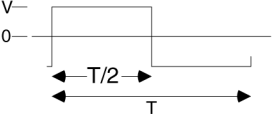
## Errors in High Resistance Measurements

When you are measuring large resistances, significant errors can occur due to insulation resistance and surface cleanliness. You should take the necessary precautions to maintain a "clean" high-resistance system. Test leads and fixtures are susceptible to leakage due to moisture absorption in insulating materials and "dirty" surface films. Nylon and PVC are relatively poor insulators ( $10^9 \Omega$ ) when compared to PTFE insulators ( $10^{13} \Omega$ ). Leakage from nylon or PVC insulators can easily contribute a 0.1% error when measuring a 1 M $\Omega$  resistance in humid conditions.

## True RMS AC Measurements

True rms responding multimeters, like the Keysight 34410A/11A/L4411A, measure the "heating" potential of an applied voltage. Power dissipated in a resistor is proportional to the square of an applied voltage, independent of the waveshape of the signal. This multimeter accurately measures true rms voltage or current, as long as the wave shape contains negligible energy above the meter's effective bandwidth.

Note that the 34410A/11A/L4411A uses the same techniques to measure true rms voltage and true rms current. The effective ac voltage bandwidth is 300 kHz, while the effective ac current bandwidth is 10 kHz.

Waveform Shape	Crest Factor	AC RMS	AC + DC RMS
	$\sqrt{2}$	$\frac{V}{\sqrt{2}}$	$\frac{V}{\sqrt{2}}$
	$\sqrt{3}$	$\frac{V}{\sqrt{3}}$	$\frac{V}{\sqrt{3}}$
	$\sqrt{\frac{T}{t_p}}$	$\frac{V}{CF} \times \sqrt{1 - \frac{1}{CF^2}}$	$\frac{V}{CF}$
	1	V	V

The multimeter's ac voltage and ac current functions measure the *ac-coupled* true rms value. In this Keysight meter, the "heating value" of *only the ac components* of the input waveform are measured (dc is rejected). As seen in the figure above; for sinewaves, triangle waves, and square waves, the *ac-coupled* and *ac+dc* values are equal, since these waveforms do not contain a dc offset. However, for non-symmetrical waveforms (such as pulse trains) there is a dc voltage content, which is rejected by Keysight's ac-coupled true rms measurements. This can provide a significant benefit.

An ac-coupled true rms measurement is desirable when you are measuring small ac signals in the presence of large dc offsets. For example, this situation is common when measuring ac ripple present on dc power supplies. There are situations, however, where you might *want* to know the ac+dc true rms value. You can determine this value by combining results from dc and ac measurements, as shown below:

$$ac + dc = \sqrt{ac^2 + dc^2}$$

For the best ac noise rejection, you should perform the dc measurement using an integration time of at least 10 power-line cycles (PLCs).

### True RMS Accuracy and High-Frequency Signal Content

A common misconception is that "since an ac multimeter is true rms, its sine wave accuracy specifications apply to all waveforms." Actually, the shape of the input signal can dramatically affect measurement accuracy for any multimeter, especially when that input signal contains high-frequency components which exceed the instrument's bandwidth.

As an example, consider a pulse train, one of the most challenging waveforms for a multimeter. The pulse-width of that waveform largely determines its high-frequency content. The frequency spectrum of an individual pulse is determined by its Fourier Integral. The frequency spectrum of the pulse train is the Fourier Series that samples along the Fourier Integral at multiples of the input pulse repetition frequency (prf).

On the following page, the first figure shows the Fourier Integral of two very different pulses: one of broad width (200  $\mu\text{s}$ ); the other narrow (6.7  $\mu\text{s}$ ). The second figure is an approximation of the shape of the input frequency response of the 34410A/11A/L4411A.

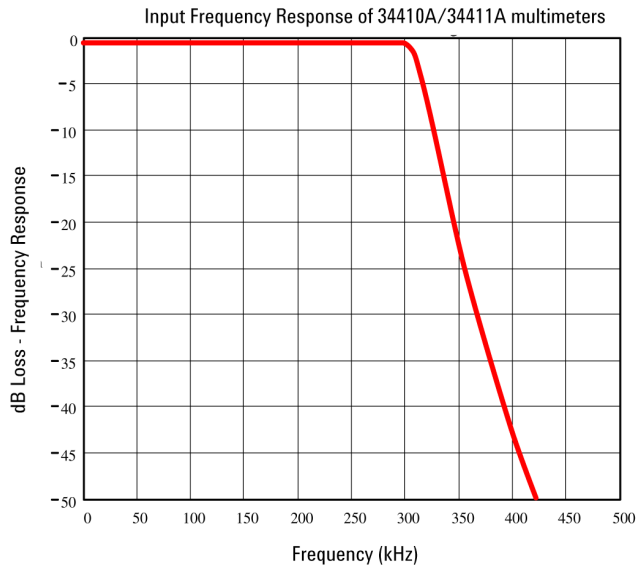
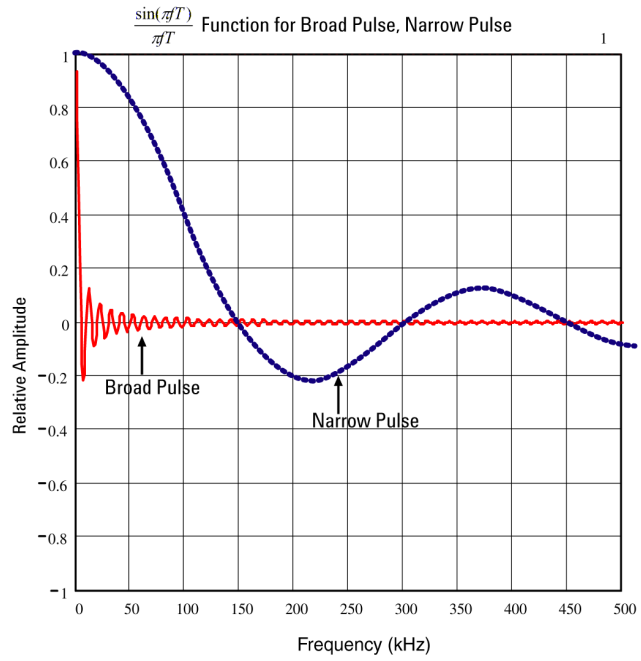
Comparing these two figures along the frequency axis, notice that the  $\frac{\sin(\pi f T)}{\pi f T}$  spectrum of the narrow pulse significantly exceeds the effective bandwidth of the instrument. The net result is a less accurate measurement of the narrow, high-frequency pulse.

In contrast, the frequency spectrum of the broad pulse has fallen off significantly below the multimeter's 300 kHz (approximately) band-width, so measurements of this pulse are more accurate.

Reducing the prf increases the density of lines in the Fourier spectrum, and increases the portion of the input signal's spectral energy within the multimeter's bandwidth, *which improves accuracy*.

In summary, error in rms measurements arise when there is significant input signal energy at frequencies above the multimeter's bandwidth.





### Estimating High-Frequency (Out-of-Band) Error

A common way to describe signal waveshapes is to refer to their “Crest Factor”. Crest factor is the ratio of the peak value to rms value of a waveform. For a pulse train, for example, the crest factor is approximately equal to the square root of the inverse of the duty cycle.

$$CF = \frac{1}{\sqrt{d}} = \frac{1}{\sqrt{\frac{t_p}{T}}} = \frac{1}{\sqrt{prf \times t_p}}$$

Notice that crest factor is a composite parameter, dependent upon the pulse-width and repetition frequency; crest factor alone is not enough to characterize the frequency content of a signal.

Traditionally, DMMs include a crest factor derating table that applies at all frequencies. The measurement algorithm used in the 34410A/11A/L4411A multimeters is not inherently sensitive to crest factor, so no such derating is necessary. With this multimeter, as discussed in the previous section, the focal issue is high-frequency signal content which exceeds the multimeter’s bandwidth.

For periodic signals, the combination of crest factor and repetition rate can suggest the amount of high-frequency content and associated measurement error. The first zero crossing of a simple pulse occurs at:

$$f_1 = \frac{1}{t_p}$$

This gives an immediate impression of the high-frequency content by identifying where this crossing occurs as a function of crest factor:

$$f_1 = CF^2 \cdot prf$$

The following table shows the typical error for various pulse waveforms as a function of input pulse frequency:

Typical error for square wave, triangular wave, and pulse trains of CF=3, 5, or 10					
prf	square wave	triangle wave	CF=3	CF=5	CF=10
200	-0.02%	0.00%	-0.04%	-0.09%	-0.34%
1000	-0.07%	0.00%	-0.18%	-0.44%	-1.71%
2000	-0.14%	0.00%	-0.34%	-0.88%	-3.52%
5000	-0.34%	0.00%	-0.84%	-2.29%	-8.34%
10000	-0.68%	0.00%	-1.75%	-4.94%	-26.00%
20000	-1.28%	0.00%	-3.07%	-8.20%	-45.70%
50000	-3.41%	-0.04%	-6.75%	-32.0%	-65.30%
100000	-5.10%	-0.12%	-21.8%	-50.6%	-75.40%

This table gives an additional error for each waveform, to be added to the value from the accuracy table provided in Chapter 5, “Specifications.”

The 34410A/11A/L4411A specifications are valid for  $CF \leq 10$ , *provided there is insignificant signal energy above the 300 kHz bandwidth for voltage, or the 10 kHz bandwidth for current*. Multimeter performance is not specified for  $CF > 10$ , or when significant out-of-band signal content is present.

Example:

A pulse train with level  $1 V_{\text{rms}}$ , is measured on the 1 V range. It has pulse heights of 3 V (that is, a Crest Factor of 3) and duration 111  $\mu\text{s}$ . The prf can be calculated to be 1000 Hz, as follows:

$$prf = \frac{1}{CF^2 \times t_p}$$

Thus, from the table above, this ac waveform can be measured with 0.18 percent additional error.

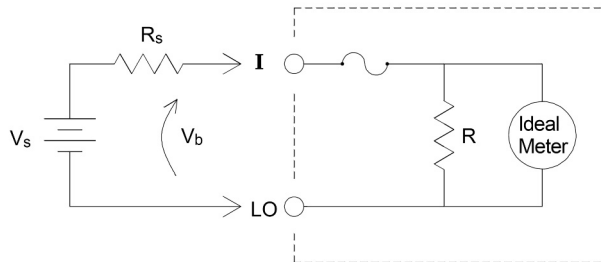
## Other Primary Measurement Functions

### Frequency and Period Measurement Errors

The multimeter uses a reciprocal counting technique to measure frequency and period. This method generates constant measurement resolution for any input frequency. The multimeter's ac voltage measurement section performs input signal conditioning. All frequency counters are susceptible to errors when measuring low-voltage, low-frequency signals. The effects of both internal noise and external noise pickup are critical when measuring "slow" signals. The error is inversely proportional to frequency. Measurement errors also occur if you attempt to measure the frequency (or period) of an input following a dc offset voltage change. You must allow the multimeter's input dc blocking capacitor to fully settle before making frequency measurements.

## DC Current Measurements

When you connect the multimeter in series with a test circuit to measure current, a measurement error is introduced. The error is caused by the multimeter's series burden voltage. A voltage is developed across the wiring resistance and current shunt resistance of the multimeter, as shown below.

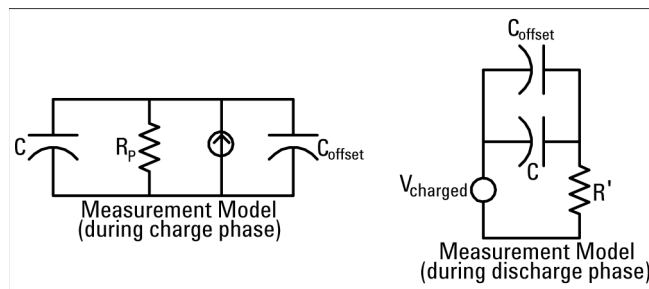


$V_s$  = source voltage  
 $R_s$  = DUT source resistance  
 $V_b$  = multimeter burden voltage  
 $R$  = multimeter current shunt

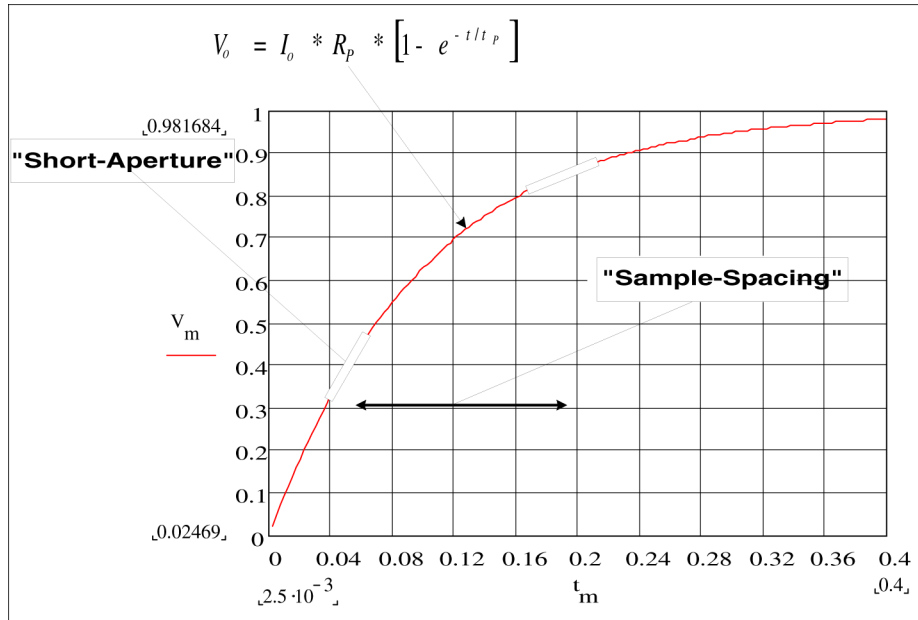
$$\text{Error ( \% )} = \frac{-100\% \times V_b}{V_s}$$

## Capacitance Measurements

The multimeter implements capacitance measurements by applying a known current to the capacitor as shown below:



An Illustration of the response curve while charging is shown below:



Capacitance is calculated by measuring the change in voltage (DV) that occurs over a “short aperture” time, (Dt). This measurement is repeated at two different times during the exponential rise that occurs. An algorithm takes the data from these four points, and by linearizing that exponential rise over these “short apertures”, accurately calculates the capacitance value.

The measurement cycle consists of two parts: a charge phase (shown in the graph) and a discharge phase. The time-constant during the discharge phase is longer, due to a 100 kΩ protective resistor in the measurement path. This time-constant plays an important role in the resultant reading rate (measurement time).

The incremental times (or “sample times”) as well as the width of the “short apertures”, vary by range, in order to minimize noise and increase reading accuracy. The following table lists the current amplitude, peak voltage and average dc voltage developed across the capacitor during the measurement.

Range	Current Source	Reading Rate at full scale	Reading Rate @ 10% of full scale	Applied Voltage	Approx. dc bias @ full scale
1 nF	500nA	5/second	12/second	5V	2V
10 nF	1μA	5/second	24/second	5V	2V
100 nF	10μA	5/second	26/second	4V	2V
1 μF	10μA	2/second	18/second	1.5V	1V
10 μF	100μA	0.3/second	2.5/second	1.5V	1V

These values all vary by range. Control of the peak voltage across the capacitor is important in some cases, such as when measuring larger electrolytic capacitors.

The values of capacitance and loss resistance measured with the multimeter may differ from the values measured using an LCR meter. This is to be expected since this is essentially a dc measurement method, while LCR measurement uses applied frequencies anywhere from 100 Hz to 100 kHz. In most cases, neither method measures the capacitor at its exact frequency of application.

The 34410A/11A/L4411A provides five capacitance ranges from 1 nF to 10 μF. The voltage developed across the capacitor being measured is limited to less than 10 V. The multimeter’s measurement accuracy is 0.4% of the reading, + 0.1% of the range in use (except for the 1 nF range, for which the accuracy is 0.5% of the reading, + 0.5% of the range).

Example: For a 5 nF capacitor, measured using the 10 nF range, the accuracy is  $(0.4\%)(5 \text{ nF}) + (0.1\%)(10 \text{ nF}) = 30 \text{ pF}$  total error possible.

For the best accuracy, take a zero null measurement with open probes, to null out the test lead capacitance, before connecting the probes across the capacitor to be measured.

## Temperature Measurements

The multimeter allows the measurement of temperature by measurement of the temperature sensitive resistance of two different "Probe" types: the resistance temperature detector (RTD) of  $0.00385/^{\circ}\text{C}$ ; and thermistors of 2.2 KΩ, 5 KΩ, or 10 KΩ). There are a number of measurement parameter and technique choices available to you, and these affect various aspects of the measurement:

- Temperature range and resolution can direct the probe–type choice.

- Choice of four-wire or two-wire technique affects measurement accuracy.
- Use of the auto zero feature affects measurement speed and accuracy.
- Choice of integration (measurement time) setting affects measurement accuracy and power-line noise rejection.
- Use of the offset compensation feature can eliminate residual voltages in the test instrumentation or circuit.

### Probe Type Choice

*RTD's* provide very accurate, highly linear relationships between resistance and temperature, over a range of roughly  $-200$  to  $500$  °C. There is very little conversion complexity for an RTD since it is so intrinsically linear. The multimeter provides measurement for the IEC751 standard RTD, which has a sensitivity of  $0.00385/^\circ\text{C}$ .

*Thermistors* consist of semiconductor materials, and provide roughly 10 times the sensitivity of the RTD. Because they are semiconductors, their temperature range is more limited, commonly to  $-80$  °C to  $150$  °C. Thermistors have highly non-linear temperature-resistance relationships; therefore their conversion algorithms are more complex. The Keysight multimeters use the standard Hart-Steinhart Approximation to provide accurate conversions, with a typical resolution of  $0.08$  °C.

### 2-Wire vs. 4-Wire Measurements

As with resistance measurements, four-wire temperature measurements are more accurate, since errors due to lead wire resistance are completely eliminated. Alternately, you can use the multimeter's Null function to remove the test lead resistance from the measurement (see "*NULL Reading:*" on page 119).

### Auto Zero On/Off

Enabling the auto zero feature (ON) provides greater accuracy; however, the additional measurement (of zero) reduces the reading speed.

### Integration

There are two methods of integrating the sampled data taken in the measurement, NPLC's and Aperture.

*NPLC's* sets the number of power line cycles in the gating of the measurement. The range of choices for NPLC includes 0.001 and 0.002 (for 34411A/L4411A), 0.006, 0.06, 0.02, 0.2, 1, 2, 10 and 100.



The fractional NPLC values offer faster measurements, at the expense of some accuracy. When you set the NPLC to 1 or more, you not only achieve improved accuracy associated with time averaging, but also achieve rejection of the power-line interference (normal mode rejection, or NMR); the greater the integral NPLC value, the larger the NMR.

*Aperture* is the period, measured in seconds, during which the multimeter's analog-to-digital (A/D) converter samples the input signal for a measurement. A longer aperture yields better resolution; a shorter aperture provides for faster measurements. This feature allows the user to set a specific measurement period, not based on power line frequency. Values range from 100  $\mu$ s to 1 s for the 34410A, and from 20  $\mu$ s to 1 s for the 34411A/L4411A.

No normal mode rejection is provided in aperture mode.

### **Offset Compensation**

With offset compensation enabled (ON), the multimeter makes a normal temperature measurement first, followed by a second measurement to determine any offset voltage in the input circuitry. The resultant displayed measurement corrects for this offset. Enabling offset compensation increases measurement time.

### **NULL Reading:**

The multimeter allows a separate null setting to be saved for the temperature function. When making null measurements, each reading is the difference between a stored null value and the input signal. One application of NULL is to increase accuracy of two-wire resistance measurements by first nulling the closed-circuit test lead resistance.

## High-Speed Measurements

### Making High-Speed AC Measurements

The multimeter's ac voltage and ac current functions implement three low-frequency filters. These filters allow you to trade-off minimum measured frequency for faster reading speed. The FAST filter settles in 0.025 seconds, and is useful for frequencies above 200 Hz. The MEDIUM filter settles in 0.625 seconds for voltage and 0.25 seconds for current, and is useful for measurements above 20 Hz. The SLOW filter settles in 2.5 seconds for voltage and 1.66 seconds for current, and is useful for frequencies above 3 Hz.

With a few precautions, you can perform ac measurements at speeds up to 500 readings per second. Use manual ranging to eliminate autoranging delays. By setting the trigger delay to 0, the FAST, MEDIUM, and SLOW filters allow up to 500, 150, and 50 readings per second, albeit with reduced accuracy since the filter may not fully settle. If the sample-to-sample levels are similar, little settling time is required for each new reading. Under this specialized condition, the MEDIUM filter provides reduced accuracy results at 20 readings per second, and the FAST filter provides reduced accuracy results at 200 readings per second.

AC Filter	Filter Bandwidth	Settling Time (Seconds)		Full Settling (rdgs/Sec)		Partial Settling	Maximum rdgs/Sec
		ACV	ACI	ACV	ACI	ACV/ACI	ACV/ACI
<b>Slow</b>	<b>3 Hz</b>	2.5	1.67	0.4	0.6	2	50
<b>Medium</b>	<b>20 Hz</b>	0.63	0.25	1.6	4	20	150
<b>Fast</b>	<b>200 Hz</b>	0.025	0.025	40	40	200	500

In applications where sample-to-sample levels vary widely, but the dc offset level does not change, the MEDIUM filter settles at 2 to 4 readings per second (depending upon the lowest frequency component in the waveform) as shown in the following table:

Medium Filter Performance	Full Accuracy Reading Rate No DC Level Change			
	20 Hz	50 Hz	100 Hz	200 Hz
Lowest Frequency Component	20 Hz	50 Hz	100 Hz	200 Hz
AC Current (allowable rate rdgs/Sec)	4	4	4	4
AC Voltage (allowable rate rdgs/Sec)	2	3	4	4

For ac voltage, additional settling time may be required when the dc level varies from sample to sample. The default sample delays allow for a dc level change of 3% of range for all filters. If the dc level change exceeds these levels, additional settling time is required. The multimeter's dc blocking circuitry has a settling time constant of 0.2 seconds. This settling time only affects measurement accuracy when dc offset levels vary from sample to sample. If maximum measurement speed is desired in a scanning system, you may want to add an external dc blocking circuit to those channels with significant dc voltages present. This circuit can be as simple as a resistor and a capacitor.

For ac current, additional settling time is not required when the dc level varies sample to sample.

### **Making High-Speed dc and Resistance Measurements**

The multimeter incorporates an automatic zero measurement procedure (autozero) to eliminate internal thermal EMF and bias current errors. Each measurement actually consists of a measurement of the input terminals followed by a measurement of the internal offset voltage. The internal offset voltage error is subtracted from the input for improved accuracy. This compensates for offset voltage changes due to temperature. For maximum reading speed, turn autozero off. This will more than double your reading speeds for dc voltage, resistance, and dc current functions. Autozero does not apply to other measurement functions.

## Other Sources of Measurement Error

### Settling Time Effects

The multimeter has the ability to insert automatic measurement settling delays. These delays are adequate for resistance measurements with less than 200 pF of combined cable and device capacitance. This is particularly important if you are measuring resistances above 100 k $\Omega$ . Settling due to RC time constant effects can be quite long. Some precision resistors and multi-function calibrators use large parallel capacitors (1000 pF to 0.1  $\mu$ F) with high resistor values to filter out noise currents injected by their internal circuitry. Non-ideal capacitances in cables and other devices may have much longer settling times than expected just by RC time constants due to dielectric absorption (soak) effects. Errors are measured when settling after the initial connection and after a range change.

### Loading Errors (ac volts)

In the ac voltage function, the input of the multimeter appears as a 1 M $\Omega$  resistance in parallel with 100 pF of capacitance. The cabling that you use to connect signals to the multimeter also adds capacitance and loading. The table below shows the multimeter's approximate input resistance at various frequencies.

Input Frequency	Input Resistance
100 Hz	1 M $\Omega$
1 kHz	850 k $\Omega$
10 kHz	160 k $\Omega$
100 kHz	16 k $\Omega$

For low frequencies, the loading error is:

$$\text{Error (\%)} = \frac{-100 \times R_s}{R_s + 1 \text{ M}\Omega}$$

At high frequencies, the additional loading error is:

$$\text{Error (\%)} = 100 \times \left[ \frac{1}{\sqrt{1 + (2\pi \times F \times R_s \times C_{in})^2}} - 1 \right]$$

$R_s$  = source resistance

$F$  = input frequency

$C_{in}$  = input capacitance (100 pF) plus cable capacitance

### Measurements Below Full Scale

You can make the most accurate ac measurements when the multimeter is at or near the full scale of the selected range. Autoranging occurs at 10% (down-range) and 120% (up-range) of full scale. This enables you to measure some inputs at full scale on one range and 10% of full scale on the next higher range. In general, the accuracy is better on the lower range; for the highest accuracy, select the lowest manual range possible for the measurement.

### High-Voltage Self-Heating Errors

If you apply more than  $300 V_{\text{rms}}$ , self-heating occurs in the multimeter's internal signal-conditioning components. These errors are included in the multimeter's specifications.

Temperature changes inside the multimeter due to self-heating may cause additional error on other ac voltage ranges. The additional error is less than 0.02% and dissipates in a few minutes.

### AC Current Measurement Errors (Burden Voltage)

Burden voltage errors, which apply to dc current, also apply to ac current measurements. However, the burden voltage for ac current is larger due to the multimeter's series inductance and your measurement connections. The burden voltage increases as the input frequency increases. Some circuits may oscillate when performing current measurements due to the multimeter's series inductance and your measurement connections.

### Low-Level Measurement Errors

When measuring ac voltages less than 100 mV, be aware that these measurements are especially susceptible to errors introduced by extraneous noise sources. An exposed test lead acts as an antenna and a properly functioning multimeter will measure the signals received. The entire measurement path, including the power line, act as a loop antenna. Circulating currents in the loop create error voltages across any impedances in series with the multimeter's input. For this reason, you should apply low-level ac voltages to the multimeter through shielded cables. You should connect the shield to the input LO terminal.

Make sure the multimeter and the ac source are connected to the same electrical outlet whenever possible. You should also minimize the area of any ground loops that cannot be avoided. A high-impedance source is more susceptible to noise pickup than a

low-impedance source. You can reduce the high-frequency impedance of a source by placing a capacitor in parallel with the multimeter's input terminals. You may have to experiment to determine the correct capacitor value for your application.

Most extraneous noise is not correlated with the input signal. You can determine the error as shown below.

$$\text{Voltage Measured} = \sqrt{V_{\text{in}}^2 + \text{Noise}^2}$$

Correlated noise, while rare, is especially detrimental. Correlated noise always adds directly to the input signal. Measuring a low-level signal with the same frequency as the local power line is a common situation that is prone to this error.

### Common Mode Errors

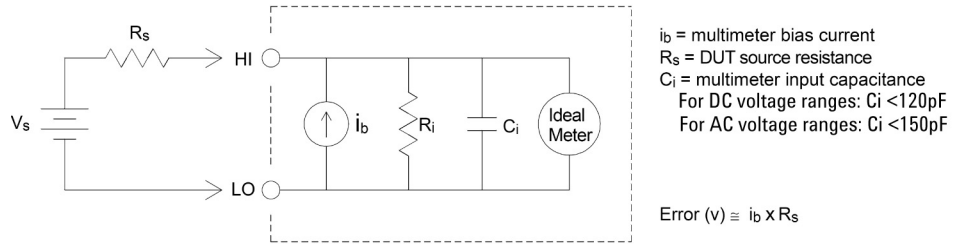
Errors are generated when the multimeter's input LO terminal is driven with an ac voltage relative to earth. The most common situation where unnecessary common mode voltages are created is when the output of an ac calibrator is connected to the multimeter "backwards." Ideally, a multimeter reads the same regardless of how the source is connected. Both source and multimeter effects can degrade this ideal situation. Because of the capacitance between the input LO terminal and earth (approximately 200 pF), the source will experience different loading depending on how the input is applied. The magnitude of the error is dependent upon the source's response to this loading.

The multimeter's measurement circuitry, while extensively shielded, responds differently in the backward input case due to slight differences in stray capacitance to earth. The multimeter's errors are greatest for high-voltage, high-frequency inputs. Typically, the multimeter exhibits about 0.06% additional error for a 100 V, 100 kHz reverse input. You can use the grounding techniques described for dc common mode problems to minimize ac common mode voltages.

### Leakage Current Errors

The multimeter's input capacitance will "charge up" due to input bias currents when the terminals are open-circuited (if the input resistance is >10 GΩ). The multimeter's measuring circuitry exhibits approximately 30pA of input bias current for ambient temperatures from 0 °C to 30 °C. Bias current doubles (x2) for every 8 °C change in ambient temperature above 30 °C. This current generates small voltage offsets

dependent upon the source resistance of the device-under-test. This effect becomes evident for a source resistance of greater than 100 k $\Omega$ , or when the multimeter's operating temperature is significantly greater than 30 °C.



## 4 Measurement Tutorial



## 5 Specifications

DC Characteristics	129
AC Characteristics	132
Frequency and Period Characteristics	134
Capacitance Characteristics	136
Temperature Characteristics	137
Additional 34411A/L4411A Specifications	138
Measurement and System Speeds	139
General Specifications (34410A/11A)	142
General Specifications (L4411A)	143
Dimensions	145
To Calculate Total Measurement Error	146
Interpreting Accuracy Specifications	148
Configuring for Highest Accuracy Measurements	149

## 5 Specifications

These specifications apply when using the 34410A/11A/L4411A multimeter in an environment that is *free* of electromagnetic interference and electrostatic charge.

When using the multimeter in an environment where electromagnetic interference or significant electrostatic charge *is* present, measurement accuracy may be reduced.

*Particularly note:*

- The voltage measurement probes are not shielded and can act as antennas, causing electromagnetic interference to be added to the signal being measured.
- Electrostatic discharges of 4000 V or greater may cause the multimeter to temporarily stop responding, resulting in a lost or erroneous reading.

### NOTE

The specifications on the following pages are valid for the Keysight 34410A, 34411A, and L4411A multimeters with firmware revision 2.05, or later.

***Specifications are subject to change without notice.*** For the latest specifications, see the product datasheet on the Web. Firmware updates may also be available on the Web. Start at either product page:

[www.keysight.com/find/34410A](http://www.keysight.com/find/34410A)

[www.keysight.com/find/34411A](http://www.keysight.com/find/34411A)

[www.keysight.com/find/L4411A](http://www.keysight.com/find/L4411A)

*This ISM device complies with Canadian ICES-001.  
Cet appareil ISM est conforme à la norme NMB-001  
du Canada.*



## DC Characteristics

Accuracy Specifications  $\pm$ ( % of reading + % of range ) [1]

Function	Range [3]	Test Current or Burden Voltage	24 Hour [2] $T_{CAL} \pm 1\text{ }^{\circ}\text{C}$	90 Day $T_{CAL} \pm 5\text{ }^{\circ}\text{C}$	1 Year $T_{CAL} \pm 5\text{ }^{\circ}\text{C}$	Temperature Coefficient/ $^{\circ}\text{C}$ 0 $^{\circ}\text{C}$ to ( $T_{CAL} - 5\text{ }^{\circ}\text{C}$ ) ( $T_{CAL} + 5\text{ }^{\circ}\text{C}$ ) to 55 $^{\circ}\text{C}$
DC	100.0000 mV		0.0030+0.0030	0.0040+0.0035	0.0050+0.0035	0.0005+0.0005
	1.000000 V		0.0020+0.0006	0.0030+0.0007	0.0035+0.0007	0.0005+0.0001
	10.00000 V		0.0015+0.0004	0.0020+0.0005	0.0030+0.0005	0.0005+0.0001
	100.0000 V		0.0020+0.0006	0.0035+0.0006	0.0040+0.0006	0.0005+0.0001
	1000.000 V [5]		0.0020+0.0006	0.0035+0.0006	0.0040+0.0006	0.0005+0.0001
Resistance [4]	100.0000 $\Omega$	1 mA Current Source	0.0030+0.0030	0.008+0.004	0.010+0.004	0.0006+0.0005
	1.000000 K $\Omega$	1 mA	0.0020+0.0005	0.007+0.001	0.010+0.001	0.0006+0.0001
	10.00000 K $\Omega$	100 $\mu\text{A}$	0.0020+0.0005	0.007+0.001	0.010+0.001	0.0006+0.0001
	100.0000 K $\Omega$	10 $\mu\text{A}$	0.0020+0.0005	0.007+0.001	0.010+0.001	0.0006+0.0001
	1.000000 M $\Omega$	5.0 $\mu\text{A}$	0.0020+0.0010	0.010+0.001	0.012+0.001	0.0010+0.0002
	10.00000 M $\Omega$	500 nA	0.0100+0.0010	0.030+0.001	0.040+0.001	0.0030+0.0004
	100.0000 M $\Omega$	500 nA   10 M $\Omega$	0.200+0.001	0.600+0.001	0.800+0.001	0.1000+0.0001
	1.000000 G $\Omega$	500 nA   10 M $\Omega$	2.000+0.001	6.000+0.001	8.000+0.001	1.0000+0.0001
DC Current	100.0000 $\mu\text{A}$	<0.3 V Burden V	0.010+0.020	0.040+0.025	0.050+0.025	0.0020+0.0030
	1.000000 mA	<0.3 V	0.007+0.006	0.030+0.006	0.050+0.006	0.0020+0.0005
	10.00000 mA	<0.3 V	0.007+0.020	0.030+0.020	0.050+0.020	0.0020+0.0020
	100.0000 mA	<0.3 V	0.010+0.004	0.030+0.005	0.050+0.005	0.0020+0.0005
	1.000000 A	<0.80 V	0.050+0.006	0.080+0.010	0.100+0.010	0.0050+0.0010
	3.000000 A	<2.0 V	0.100+0.020	0.120+0.020	0.150+0.020	0.0050+0.0020
Continuity	1000 Ohms	1 mA Test Current	0.002+0.010	0.008+0.020	0.010+0.020	0.0010+0.0020
Diode Test	1.0000 V [6]	1 mA Test Current	0.002+0.010	0.008+0.020	0.010+0.020	0.0010+0.0020

[ 1 ] Specifications are for 90 minute warm-up and integration setting of 100 NPLC.

For <100 NPLC, add the appropriate "RMS Noise Adder" from the table on the following page.

[ 2 ] Relative to calibration standards.

[ 3 ] 20% overrange on all ranges, except 1000 VDC, 3 A range.

[ 4 ] Specifications are for 4-wire ohms function, or 2-wire ohms using Math Null. Without Math Null, add 0.2  $\Omega$  additional error in 2-wire ohms function.

[ 5 ] For each additional volt over  $\pm$  500 VDC add 0.02 mV of error.

[ 6 ] Accuracy specifications are for the voltage measured at the input terminals only. 1 mA test current is typical. Variation in the current source will create some variation in the voltage drop across a diode junction.

## 5 Specifications

### Performance Versus Integration Time – 60Hz (50Hz) Power line frequency

Integration Time Number of Power Line Cycles (NPLC)	Resolution ppm Range <sup>[1]</sup>	NMR db <sup>[2]</sup>	Readings / Second <sup>[3]</sup>	RMS Noise Adder % range <sup>[4]</sup>		
				DCV 10, 1000 V	DCV 1, 100 V Resistance 1K, 10K ohm	DCV 0.1 V Resistance 100 ohm DCI 1 amp
0.001 <sup>[6]</sup>	30	0	50,000	0.0060	0.0100	0.1000
0.002 <sup>[6]</sup>	15	0	25,000	0.0030	0.0060	0.0600
0.006	6	0	10,000	0.0012	0.0040	0.0600
0.02	3	0	3000	0.0006	0.0030	0.0300
0.06	1.5	0	1000	0.0003	0.0020	0.0200
0.2	0.7	0	300	0.0002	0.0015	0.0150
1	0.3	55	60(50)	0.0	0.0001	0.0010
2	0.2	110 <sup>[5]</sup>	30(25)	0.0	0.0001	0.0010
10	0.1	110 <sup>[5]</sup>	6(5)	0.0	0.0	0.0005
100	0.03	110 <sup>[5]</sup>	0.6(0.5)	0.0	0.0	0.0

[ 1 ] Resolution is defined as the typical 10 VDC range RMS noise.

[ 2 ] Normal mode rejection for power-line frequency  $\pm 0.1\%$ .

[ 3 ] Maximum rate for DCV, DCI, and 2-Wire resistance functions  
(using zero settling delay, autozero off, etc.).

[ 4 ] Autozero on for  $\Rightarrow$  1 NPLC.

Basic dc accuracy specifications (previous page) include RMS noise at 100 NPLC.

For <100 NPLC, add appropriate "RMS Noise Adder" to basic accuracy specification.

[ 5 ] For power-line frequency  $\pm 1\%$  75 dB and for  $\pm 3\%$  55 dB.

[ 6 ] Only for 34411A/L4411A.

### Transfer Accuracy (Typical)

All DC volts, <0.12 A DC Current, < 1.2 M $\Omega$ : (24 hour % of range error) / 2)

All other DC current and resistance: (24 hour % of range error + % of reading)/2

- Conditions:
- Within 10 minutes and  $\pm 0.5$  °C
  - Within  $\pm 10\%$  of initial value.
  - Following a 2-hour warm-up.
  - Fixed range.
  - Using  $\geq 10$  NPLC.
  - Measurements are made using accepted metrology practices.

**DC Voltage**

Measurement Method:	Continuously integrating multi-slope IV A/D converter
10 VDC Linearity:	0.0002% of reading + 0.0001% of range
Input Resistance:	
0.1 V, 1 V, 10 V Ranges	Selectable 10 M $\Omega$ or >10 G $\Omega$ (For these ranges, inputs beyond $\pm 17$ V are clamped through 100 k $\Omega$ typical)
100 V, 1000 V Ranges	Fixed 10 M $\Omega$ $\pm 1\%$
Input Bias Current:	< 50 pA at 25 °C
Input Terminals:	Copper alloy
Input Protection:	1000 V
DC CMRR	140 dB for 1 k $\Omega$ unbalance in LO lead. $\pm 500$ VDC maximum

**Resistance**

Measurement Method:	Selectable 4-wire or 2-wire ohms, current source referenced to LO input.
Max. Lead Resistance (4-wire ohms):	10% of range per lead for 100 $\Omega$ , 1 k $\Omega$ ranges. 1 k $\Omega$ per lead on all other ranges
Input Protection:	1000 V on all ranges
Offset Compensation:	Selectable on the 100 $\Omega$ , 1 k $\Omega$ , and 10 k $\Omega$ ranges

**DC Current**

Shunt Resistor:	0.1 $\Omega$ for 1 A, 3 A 2 $\Omega$ for 10 mA, 100 mA 200 $\Omega$ for 100 $\mu$ A, 1 mA
Input Protection:	Externally accessible 3 A, 250 V fuse

**Continuity / Diode Test**

Response Time:	300 samples / sec with audible tone
Continuity Threshold:	Fixed at 10 $\Omega$

**Autozero OFF Operation (Typical)**

Following instrument warm-up at a stable ambient temperature  $\pm 1$  °C and <5 minutes. Add 0.0002% of range + 2  $\mu$ V for DCV or + 2 m $\Omega$  for resistance.

**Settling Considerations**

Reading settling times are affected by source impedance, cable dielectric characteristics, and input signal changes. Default delays are selected to give first reading right for most measurements.

**Measurement Considerations**

Keysight recommends the use of high-impedance, low-dielectric absorption wire insulation for these measurements.

## AC Characteristics

Accuracy Specifications  $\pm$ ( % of reading + % of range ) [1]

Function	Range [3]	Frequency Range	24 Hour [2] $T_{CAL} \pm 1^\circ C$	90 Day $T_{CAL} \pm 5^\circ C$	1 Year $T_{CAL} \pm 5^\circ C$	Temperature Coefficient/ $^\circ C$ 0 $^\circ C$ to ( $T_{CAL} - 5^\circ C$ ) ( $T_{CAL} + 5^\circ C$ ) to 55 $^\circ C$
True RMS AC Voltage [4]	100.0000 mV	3 Hz – 5 Hz	0.50 + 0.02	0.50 + 0.03	0.50 + 0.03	0.010 + 0.003
	to	5 Hz – 10 Hz	0.10 + 0.02	0.10 + 0.03	0.10 + 0.03	0.008 + 0.003
	750.000 V	10 Hz – 20 kHz	0.02 + 0.02	0.05 + 0.03	0.06 + 0.03	0.005 + 0.003
		20 kHz – 50 kHz	0.05 + 0.04	0.09 + 0.05	0.10 + 0.05	0.010 + 0.005
		50 kHz – 100 kHz	0.20 + 0.08	0.30 + 0.08	0.40 + 0.08	0.020 + 0.008
	100 kHz – 300 kHz	1.00 + 0.50	1.20 + 0.50	1.20 + 0.50	0.120 + 0.020	
True RMS AC Current [5]	100.0000 $\mu A$	3 Hz – 5 kHz	0.10 + 0.04	0.10 + 0.04	0.10 + 0.04	0.015 + 0.006
	to 3.00000A	5 kHz – 10 kHz	0.20 + 0.04	0.20 + 0.04	0.20 + 0.04	0.030 + 0.006

[ 1 ] Specifications are for 90 minute warm-up, slow ac filter, sinewave.

[ 2 ] Relative to calibration standards.

[ 3 ] 20% overrange on all ranges, except 750 Vac, 3 A range.

[ 4 ] Specifications are for sinewave input >0.3% of range and > 1mVrms.

Add 30  $\mu V$  error to AC voltage specification for frequencies < 1kHz.

750 VAC range limited to  $8 \times 10^7$  Volt-Hz.

750 VAC range add 0.7 mV of error for each additional volt over 300 VAC.

[ 5 ] Specifications are for sinewave input >1% of range and > 10  $\mu A$ rms.

Frequencies > 5 kHz are *typical* for all ranges.

For the 3 A range (all frequencies), add 0.05% of reading + 0.02% of range to listed specifications.

### Low Frequency Performance

Three filter settings are available: 3 Hz, 20 Hz, 200Hz.

Frequencies greater than these filter settings are specified with no additional errors.

### AC Current Burden Voltage

ACI Ranges	Voltage
100.0000 $\mu A$	<0.03 V
1.000000 mA	<0.3 V
10.000000 mA	<0.03 V
100.0000 mA	<0.3 V
1.000000 A	<0.8 V
3.000000 A	<2.0 V

**Voltage Transfer Accuracy ( typical )**

Frequency	Error
10 Hz to 300 kHz	(24 hour % of range + % of reading)/5
Conditions:	<ul style="list-style-type: none"> <li>- Sinewave input only using slow filter.</li> <li>- Within 10 minutes and <math>\pm 0.5</math> °C.</li> <li>- Within <math>\pm 10\%</math> of initial voltage and <math>\pm 1\%</math> of initial frequency.</li> <li>- Following a 2-hour warm-up.</li> <li>- Fixed range between 10% and 100% of full scale (and &lt;120 V).</li> <li>- Measurements are made using accepted metrology practices</li> </ul>

**True RMS AC Voltage**

Measurement Type	AC-coupled True RMS. Measures the AC component of the input.
Measurement Method:	Digital sampling with anti-alias filter.
AC Common Mode Rejection	70 dB For 1 k $\Omega$ unbalanced in LO lead and <60 Hz, $\pm 500$ V peak maximum.
Maximum Input:	400 Vdc, 1100 Vpeak
Input Impedance:	1 M $\Omega$ $\pm$ 2%, in parallel with <150 pF
Input Protection:	750 V rms all ranges

**True RMS AC Current**

Measurement Type:	Directly coupled to the fuse and shunt. AC-coupled True RMS measurement (measure the AC component only).
Measurement Method:	Digital sampling with anti-alias filter.
Maximum Input:	The peak value of the DC + AC current must be <300% of range. The RMS current <3 A including the DC current content.
Shunt Resistor:	0.1 $\Omega$ for 1A, 3A 2 $\Omega$ for 10 mA 100 mA 200 $\Omega$ for 100 $\mu$ A, 1 mA
Input Protection:	Externally accessible 3A, 250 V fuse

**Crest Factor and Peak Input**

Crest Factor:	For <10:1 errors included. Limited by peak input and 300 kHz bandwidth.
Peak Input:	300% of Range. Limited by maximum input
Overload Ranging	Will select higher range if peak input overload is detected during auto range. Overload is reported in manual ranging.

**Settling Considerations**

Default delays are selected to give first reading right for most measurements. The input blocking RC time constant must be allowed to fully settle before the most accurate measurements are possible.

## Frequency and Period Characteristics

### Accuracy Specifications $\pm$ ( % of reading ) <sup>[ 1, 3 ]</sup>

Function	Range	Frequency Range	24 Hour <sup>[2]</sup> T <sub>CAL</sub> C $\pm$ 1 °C	90 Day T <sub>CAL</sub> $\pm$ 5 °C	1 Year T <sub>CAL</sub> $\pm$ 5 °C	Temperature Coefficient 0 °C to (T <sub>CAL</sub> - 5 °C) (T <sub>CAL</sub> + 5 °C) to 55 °C
Frequency Period	100 mV	3 Hz - 5 Hz	0.07	0.07	0.07	0.005
	to	5 Hz - 10 Hz	0.04	0.04	0.04	0.005
	750 V	10 Hz - 40 Hz	0.02	0.02	0.02	0.001
		40 Hz - 300 kHz	0.005	0.006	0.007	0.001

### Additional Errors ( % of reading ) <sup>[3]</sup>

Frequency	Aperture (resolution / range)			
	1 Second (0.1 ppm)	0.1 Second (1 ppm)	0.01 Second (10 ppm)	0.001 Second (100 ppm)
3 Hz - 5 Hz	0	0.11	0.11	0.11
5 Hz - 10 Hz	0	0.14	0.14	0.14
10 Hz - 40 Hz	0	0.16	0.16	0.16
40 Hz - 300 kHz	0	0.045	0.17	0.17

[ 1 ] Specifications are for 90 minute warm-up, using 1 second aperture.

[ 2 ] Relative to calibration standards.

[ 3 ] For AC input voltages 10% to 120% of range except where noted. 750 V range limited to 750 Vrms. 100 mV range specifications are for full scale or greater inputs. For inputs from 10 mV to 100 mV, multiply total % of reading error by 10.

### Transfer Accuracy ( typical ) 0.0003% of reading

Conditions:

- Within 10 minutes and  $\pm$  0.5 °C.
- Within  $\pm$ 10% of initial voltage and  $\pm$  1% of initial frequency.
- Following a 2-hour warm-up.
- For inputs > 1 kHz and > 100 mV
- Using 1 second gate time
- Measurements are made using accepted metrology practices.



**Frequency and Period**

Measurement Type:	Reciprocal-counting technique. AC-coupled input using the AC voltage measurement function.
Input Impedance:	1 M $\Omega$ $\pm$ 2%, in parallel with <150 pF
Input Protection:	750 V rms all ranges

**Measurement Considerations**

All frequency counters are susceptible to error when measuring low-voltage, low-frequency signals. Shielding inputs from external noise pickup is critical for minimizing measurement errors.

**Settling Considerations**

Errors will occur when attempting to measure the frequency or period of an input following a dc offset voltage change. The input blocking RC time constant must be allowed to fully settle ( up to 1 sec. ). before the most accurate measurements are possible.

## Capacitance Characteristics

**Accuracy Specifications**  $\pm$ ( % of reading + % of range ) <sup>[1]</sup>

Function	Range [2]	Test Current	24 Hour/90 Day/ 1 Year $T_{CAL} \pm 5\text{ }^{\circ}\text{C}$	Temperature Coefficient 0 °C to ( $T_{CAL} - 5\text{ }^{\circ}\text{C}$ ) ( $T_{CAL} + 5\text{ }^{\circ}\text{C}$ ) to 55 °C
Capacitance	1 nF	500 nA	0.50 + 0.50	0.05 + 0.05
	10 nF	1 $\mu\text{A}$	0.40 + 0.10	0.05 + 0.01
	100 nF	10 $\mu\text{A}$	0.40 + 0.10	0.01 + 0.01
	1 $\mu\text{F}$	100 $\mu\text{A}$	0.40 + 0.10	0.01 + 0.01
	10 $\mu\text{F}$	1 mA	0.40 + 0.10	0.01 + 0.01

[ 1 ] Specifications are for 90 minute warm-up using Math Null. Additional errors may occur for non-film capacitors.

[ 2 ] Specifications are for 1% to 120% of range on the 1 nF range and 10% to 120% of range on all other ranges.

### Capacitance

Measurement Type: Current input with measurement of resulting ramp.

Connection Type: 2 Wire

## Temperature Characteristics

### Accuracy Specifications <sup>[1]</sup>

Function	Probe Type	R <sub>o</sub>	Best Range	24 Hour/ 90 Day/1 Year T <sub>CAL</sub> ± 5 °C	Temperature Coefficient 0 °C to (T <sub>CAL</sub> - 5 °C) (T <sub>CAL</sub> + 5 °C) to 55 °C
Temperature	RTD	from 49 Ω to 2.1 kΩ	-200 °C to 600 °C	0.06 °C	0.003 °C
	Thermistor	N/A	-80 °C to 150 °C	0.08 °C	0.002 °C

[ 1 ] For total measurement accuracy, add temperature *probe error*

#### Examples (RTD probe, *measurement within “Best Range”*):

1.) *Meter within T<sub>CAL</sub> ± 5 °C*: Error = 0.06 °C + *probe error*

2.) *Meter at T<sub>CAL</sub> + 10 °C*: Error = 0.06 °C + (5 x 0.003 °C) + *probe error* = 0.075 °C + *probe error*

## Additional 34411A/L4411A Specifications

Resolution	See table on <a href="#">page 130</a>
Overall Bandwidth, DCV and DCI	15 kHz typical @ 20 $\mu$ s aperture (–3 dB)
Triggering	Pre or Post, Internal or External, Positive or Negative
Timebase Resolution	19.9524 $\mu$ s, 0.01% accuracy
Trigger Jitter	2 $\mu$ s(p-p), 20 $\mu$ s(p-p) when pre-triggered
External Trigger Latency	< 3 $\mu$ s
Internal Trigger Level Accuracy	1% of range

### Spurious-Free Dynamic Range and SNDR

Function	Range	Spurious-Free Dynamic Range	Signal to Noise Distortion Ratio (SNDR)
DCV	100.0000 mV	–55 dB	40 dB
	1.000000 V	–75 dB	60 dB
	10.000000 V <sup>[1]</sup>	–70 dB	65 dB
	100.0000 V	–75 dB	60 dB
	1000.000 V	–60 dB	55 dB
DCI	100.0000 $\mu$ A <sup>[2]</sup>	–50 dB	38 dB
	1.000000 mA	–65 dB	50 dB
	10.000000 mA	–45 dB	38 dB
	100.0000 mA	–65 dB	50 dB
	1.000000 A	–65 dB	55 dB
	3.000000 A	–70 dB	55 dB

[1] 10 V range specifications are valid for signals  $2 \text{ V(p-p)} < x(t) < 16 \text{ V(p-p)}$

[2] 100  $\mu$ A range specifications are valid for signals  $28.8 \mu\text{A(p-p)} < x(t) < 200 \mu\text{A(p-p)}$

## Measurement and System Speeds

### DMM Measurements Speeds

Function	Resolution (NPLC)	Direct I/O Measurements <sup>[1]</sup> Single Reading – Measure and I/O Time				Measurement Into Memory (Readings/Sec) (VM Complete)
		GPIB Sec	USB 2.0 Sec	LAN (VXI-11) Sec	LAN (Sockets) Sec	
DCV (10 V Range)	0.001 <sup>[2]</sup>	0.0026	0.0029	0.0046	0.0032	50000
	0.006	0.0026	0.0029	0.0046	0.0032	10000
	0.06	0.0031	0.0032	0.0047	0.0040	1000
	1	0.0190	0.0190	0.0200	0.0190	60
ACV (10 V Range)	Slow Filter	0.0100	0.0100	0.0100	0.0100	50
	Medium Filter	0.0100	0.0100	0.0100	0.0100	150
	Fast Filter	0.0100	0.0100	0.0100	0.0100	500
2-Wire $\Omega$ (10 k $\Omega$ Range)	0.001 <sup>[2]</sup>	0.0026	0.0029	0.0046	0.0032	50000
	0.006	0.0026	0.0029	0.0046	0.0032	10000
	0.06	0.0031	0.0032	0.0047	0.0040	1000
	1	0.0190	0.0190	0.0200	0.0190	60
4-wire $\Omega$ (10 k $\Omega$ Range)	0.001 <sup>[2]</sup>	0.0054	0.0040	0.0045	0.0056	1500
	0.006	0.0054	0.0040	0.0045	0.0056	1200
	0.06	0.0074	0.0078	0.0078	0.0074	380
	1	0.0390	0.0390	0.0390	0.0390	30
Frequency 1 kHz, 10 V Range Fast Filter	1 ms Gate	0.0100	0.0100	0.0100	0.0100	500
	10 mS Gate	0.0200	0.0200	0.0200	0.0200	80
	100 mS Gate	0.1150	0.1150	0.1130	0.1130	10
	1 S Gate	1.0200	1.0200	1.0200	1.0200	1
Capacitance (100 nF Range)		0.0820	0.0820	0.0820	0.0820	11

[1] Typical. Display off, ½ scale input signal, immediate trigger, trigger delay 0, autozero off, autorange off, no math, 60 Hz line, null off, sample count 1, trig count 1, one interface enabled.

[2] 0.001 PLC applies to 34411A/L4411A only.

## 5 Specifications

### Direct I/O Measurements <sup>[1]</sup> (any remote interface)

Sustained maximum reading rate to I/O, 32-bit BINARY data ("SAMP:COUN 50000;;R?")

Function	Resolution (NPLC)	rdgs/Sec
DCV	0.001	50000 (34411A/L4411A)
	0.006	10000
ACV	Fast Filter	500
2-Wire $\Omega$	0.001	50000 (34411A/L4411A)
	0.006	10000
4-Wire $\Omega$	0.001	1500 (34411A/L4411A)
	0.006	1200
Frequency/Period (1 k rdgs)	1 mS gate, fast filter	450
Capacitance (100 rdgs)		10

[1] ½ scale input signal, immediate trigger, trigger delay 0, autozero off, autorange off, no math, 60 Hz line, null off, sample count 50000, trigger count INF

### System Speeds

#### General

	Configuration <sup>[1]</sup> (Sec)	Auto Range <sup>[2]</sup> (Sec)	Maximum External Trigger Rate <sup>[3]</sup>	Maximum Internal Trigger Rate <sup>[3]</sup>
DCV	0.022	0.0075	5000 / S	10000 / S
ACV	0.037	0.019	500 / S	500 / S
2-Wire $\Omega$	0.022	0.0075	5000 / S	10000 / S
Frequency/Period	0.037	0.019	500 / S	500 / S

[1] Time for configuration change from 2-wire ohms to listed function (or from dc volts to 2-wire ohms) using appropriate FUNCTION command.

[2] Time to automatically change one range and be ready for new measurement,  $\leq 10V$ ,  $\leq 10Mohm$ .

[3] Readings to memory.

#### Range Change

	GPIB <sup>[1]</sup> Sec	USB 2.0 <sup>[1]</sup> Sec	LAN (VXI-11) <sup>[1]</sup> Sec	LAN (Sockets) <sup>[1]</sup> Sec
DCV	0.0026	0.0035	0.0039	0.0039
ACV	0.0064	0.0064	0.0096	0.0065

2-Wire $\Omega$	0.0026	0.0038	0.0039	0.0039
Frequency/Period	0.0064	0.0064	0.0093	0.0065

[1] Time to change from one range to next higher or lower range,  $\leq 10V$ ,  $\leq 10\text{Mohm}$ .

## Data From Memory

### Maximum reading rate out of memory

(Sample count 50000, trigger count 1, "FETC?" or "R?")

Readings	GPIB rdg/Sec	USB 2.0 rdg/Sec	LAN (VXI-11) rgs/Sec	LAN (Sockets) rdg/Sec
ASCII	4000	8500	7000	8500
4-byte Binary	89,000	265,000	110,000	270,000
8-byte Binary	47,000	154,000	60,000	160,000

## General Specifications (34410A/11A)

Power Supply:	100V/120V/ 220V / 240V $\pm$ 10%
Power Line Frequency:	50–60 Hz $\pm$ 10%, 400 Hz $\pm$ 10%. Automatically sensed at power-on, 400 Hz defaults to 50Hz.
Power Consumption:	25 VA peak ( 16 W average )
Operating Environment:	Full accuracy for 0 °C to 55 °C Full accuracy to 80% R.H. at 40 °C Non-condensing
Storage Temperature:	–40 °C to 70 °C
Operating Altitude:	Up to 3000m
Rack Dimensions (WxHxD):	212.8mm x 88.3mm x 272.3mm
Bench Dimensions (WxHxD):	261.2mm x 103.8mm x 303.2mm
Weight:	3.72 kg (8.2 lbs)
Safety:	IEC 61010-1 EN 61010-1 UL 61010-1 CAN/CSA-C22.2 No. 61010-1 Refer to Declaration of Conformity for current revisions. Measurement CAT II 300V, CAT I 1000V Pollution Degree 2
EMC:	IEC 61326, EN 61326, CISPR 11, ICES-001, AS/NZS 2064.1 Refer to Declaration of Conformity for current revisions.
Acoustic Noise:	37 dBa
Display:	Dual-line, 17-segment vacuum florescent display
State Storage Memory:	Power Off state automatically saved, 4 User Configurable Stored States
Remote Interfaces:	GPIB IEEE-488, 10/100Mbit LAN, USB 2.0 Standard
Language:	SCPI – 1994.0, IEEE-488.2
LXI Compliance:	LXI Class C, Version 1.0
Warm-up Time:	90 minutes



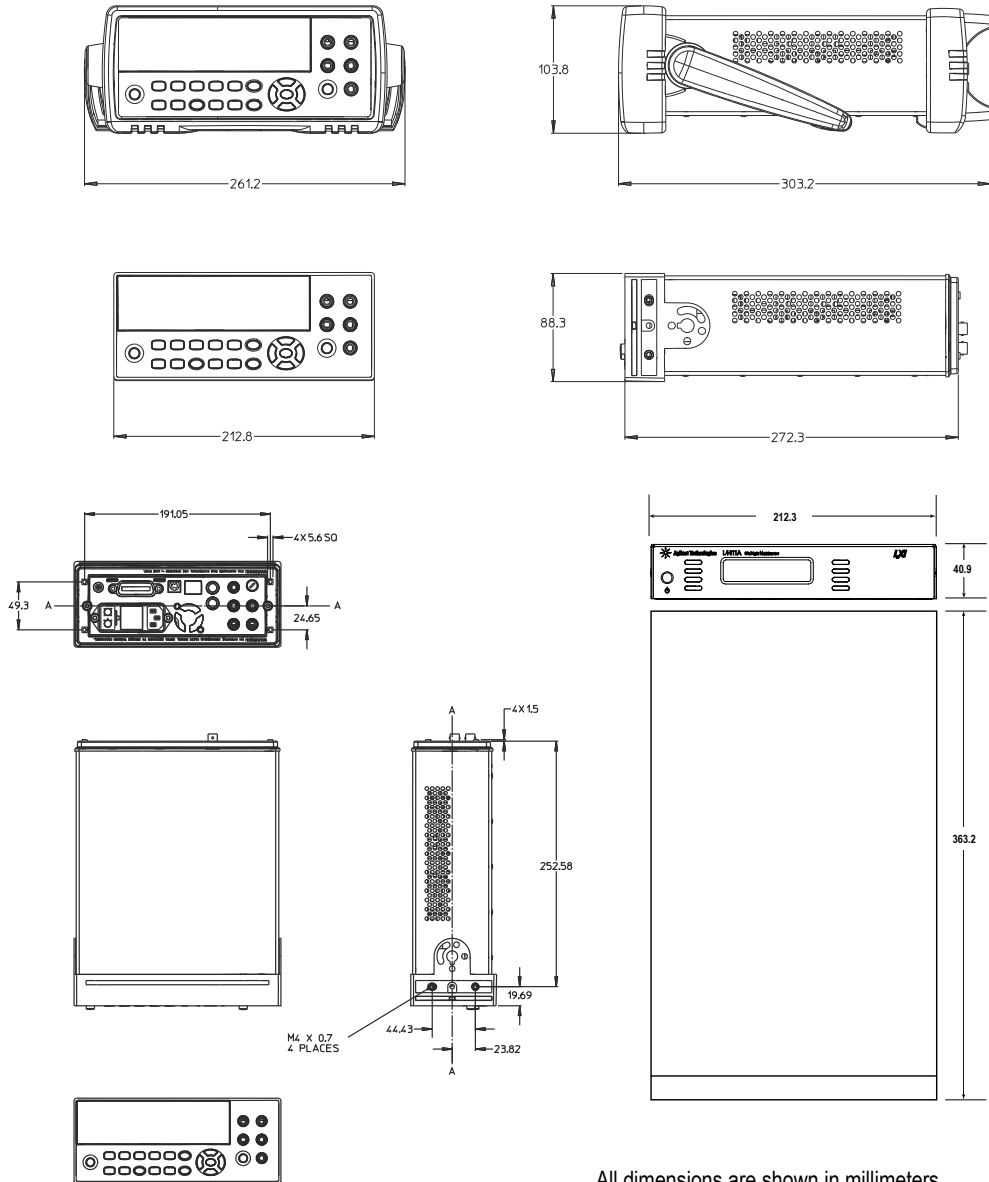
## General Specifications (L4411A)

Power supply:	Universal 100V to 240V $\pm 10\%$
Power line frequency:	45 Hz to 440 Hz +/- 10% automatically sensed
Power consumption:	50 VA peak (18W average)
Operating Environment:	Full accuracy for 0 °C to 55 °C Full accuracy to 80% R.H. at 40 °C
Storage environment:	-40 °C to 70 °C
Dimensions (H x W x L):	40.9 x 212.3 x 363.2 mm 1.61 x 8.36 x 14.3 in
Weight:	1.9 kg, 4.25 lbs
Display:	Dual-line, 5x7 Dot Matrix, 16-character LCD
Safety:	conforms to CSA, UL/IEC/EN 61010-1
EMC:	conforms to IEC/EN 613226-1, CISPR 11
Warranty:	1 year

## Triggering and Memory

Reading Hold Sensitivity:	1% of reading
Samples per Trigger:	1 to 50,000 (34410A) 1 to 1,000,000 (34411A/L4411A)
Trigger Delay:	0 to 3600 sec (20 $\mu$ s step size)
<b>External Trigger</b>	Low-power TTL compatible input programmable edge triggered
Delay:	< 1 $\mu$ s
Jitter:	< 1 $\mu$ s
Max rate	up to 5 kHz
Min Pulsewidth	1 $\mu$ s
<b>Voltmeter Complete</b>	3 V Logic output
Polarity	Programmable edge pulse
Pulsewidth	Approximately 2 $\mu$ s
Non-volatile Memory	50,000 readings
<b>Sample Timer</b>	
Range	Up to 3600 sec in 20 $\mu$ s steps
Jitter	< 100 ns

Dimensions



All dimensions are shown in millimeters

## To Calculate Total Measurement Error

The multimeter's accuracy specifications are expressed in the form: ( % of reading + % of range ). In addition to the reading error and range error, you may need to add additional errors for certain operating conditions. Check the list below to make sure you include all measurement errors for a given function. Also, make sure you apply the conditions as described in the footnotes on the specification pages.

- If you are operating the multimeter outside the temperature range specified, apply an additional temperature coefficient error.
- For dc voltage, dc current, and resistance measurements, you may need to apply an additional reading speed error or autozero OFF error.
- For ac voltage and ac current measurements, you may need to apply an additional low frequency error or crest factor error.

**Understanding the " % of reading " Error** The reading error compensates for inaccuracies that result from the function and range you select, as well as the input signal level. The reading error varies according to the input level on the selected range. This error is expressed in percent of reading. The following table shows the reading error applied to the multimeter's 24-hour dc voltage specification.

Range	Input Level	Reading Error (% of reading)	Reading Error (Voltage)
10 VDC	10 VDC	0.0015	±150 $\mu$ V
10 VDC	1 VDC	0.0015	±15 $\mu$ V
10 VDC	0.1 VDC	0.0015	±1.5 $\mu$ V

**Understanding the " % of range " Error** The range error compensates for inaccuracies that result from the function and range you select. The range error contributes a constant error, expressed as a percent of range, independent of the input signal level. The following table shows the range error applied to the multimeter's 24-hour dc voltage specification.

Range	Input Level	Range Error (% of range)	Range Error (Voltage)
10 VDC	10 VDC	0.0004	±40 μV
10 VDC	1 VDC	0.0004	±40 μV
10 VDC	0.1 VDC	0.0004	±40 μV

**Total Measurement Error** To compute the total measurement error, add the reading error and range error. You can then convert the total measurement error to a "percent of input" error or a "ppm (parts-per-million) of input" error as shown below.

$$\% \text{ of input error} = \frac{\text{Total Measurement Error}}{\text{Input Signal Level}} \times 100$$

$$\text{ppm of input error} = \frac{\text{Total Measurement Error}}{\text{Input Signal Level}} \times 1,000,000$$

**Error Example** Assume that a 5 VDC signal is input to the multimeter on the 10 V range. Compute the total measurement error using the 90-day accuracy specifications: ±(0.0020% of reading + 0.0005% of range).

$$\text{Reading Error} = 0.0020\% \times 5 \text{ VDC} = 100 \mu\text{V}$$

$$\text{Range Error} = 0.0005\% \times 10 \text{ VDC} = 50 \mu\text{V}$$

$$\begin{aligned} \text{Total Error} &= 100 \mu\text{V} + 50 \mu\text{V} = 150 \mu\text{V} \\ &= 0.003\% \text{ of } 5 \text{ VDC} \\ &= 30 \text{ ppm of } 5 \text{ VDC} \end{aligned}$$

## Interpreting Accuracy Specifications

### Transfer Accuracy

Transfer accuracy refers to the error introduced by the multimeter due to noise and short-term drift. This error becomes apparent when comparing two nearly-equal signals for the purpose of "transferring" the known accuracy of one device to the other.

### 24-Hour Accuracy

The 24-hour accuracy specification indicates the multimeter's relative accuracy over its full measurement range for short time intervals and within a stable environment. Short-term accuracy is usually specified for a 24-hour period and for a  $\pm 1$  °C temperature range.

### 90-Day and 1-Year Accuracy

These long-term accuracy specifications are valid at the calibration temperature ( $T_{\text{cal}} \pm 5$  °C temperature range. These specifications include the initial calibration errors plus the multimeter's long-term drift errors.

### Temperature Coefficients

Accuracy is usually specified at the calibration temperature ( $T_{\text{cal}} \pm 5$  °C temperature range. This is a common temperature range for many operating environments. You must add additional temperature coefficient errors to the accuracy specification if you are operating the multimeter outside the  $\pm 5$  °C temperature range (the specification is per °C).

## Configuring for Highest Accuracy Measurements

The measurement configurations shown below assume that the multimeter is in its power-on or reset state. It is also assumed that auto-ranging is enabled to ensure proper full scale range selection.

### DC Voltage, DC Current, and Resistance Measurements:

- Select NPLC and 100 (NPLCs) for INTEGRATION.
- Set INPUT Z to HI-Z (for the 100 mV, 1 V, and 10 V ranges) for the best dc voltage accuracy.
- Use the 4-wire ohms function ( $\Omega$  4W) for the best resistance measurement accuracy.
- For 2-wire ohms, dc voltage and dc current measurements, set AUTOZERO to ON to remove thermal EMF and offset errors.
- Null the test lead resistance for 2-wire ohms measurements, and to remove any interconnection offset for dc voltage measurements.

### AC Voltage and AC Current Measurements:

- Set the AC FILTER to 3 Hz: SLOW.

### Frequency and Period Measurements:

- Set the GATE TIME to 1 sec.

## 5 Specifications



## A

# Appendix: Firmware and Driver Updates

Firmware and (IVI-COM) driver updates for the 34410A/11A multimeters are available via the Web. This section contains information for locating and downloading the updates to your computer.

Downloading the Update Utility and Firmware 152

Downloading IVI-COM Driver Updates 155

### NOTE

For firmware and driver update information specific to the L4411A, refer to the *L4411A Getting Started Guide* (p/n L4411-90001).

---

## Downloading the Update Utility and Firmware

Keysight 34410A/11A firmware updates are installed in the instrument using the Keysight Firmware Update Utility. The utility and firmware file can be found on the Web at:

[www.keysight.com/find/34410A](http://www.keysight.com/find/34410A)

or

[www.keysight.com/find/34411A](http://www.keysight.com/find/34411A)

Once this page is displayed, click on ‘Technical Support’ under the heading “More Details”. From the Technical Support window, scroll to ‘**Drivers and Software**’ and select:

√ 3341xA Firmware Update Revision < x.xx >

√ Documents & Downloads

√ Keysight 34410A/11A Firmware Update Utility

If the firmware update utility is not currently installed on your PC, open and install the utility from the Web site. The utility is saved in the default directory C:\Program Files\Keysight\Firmware Update Utility.

## Downloading and Installing the Firmware Update

Return to the Web page and under “Documents & Downloads and select:

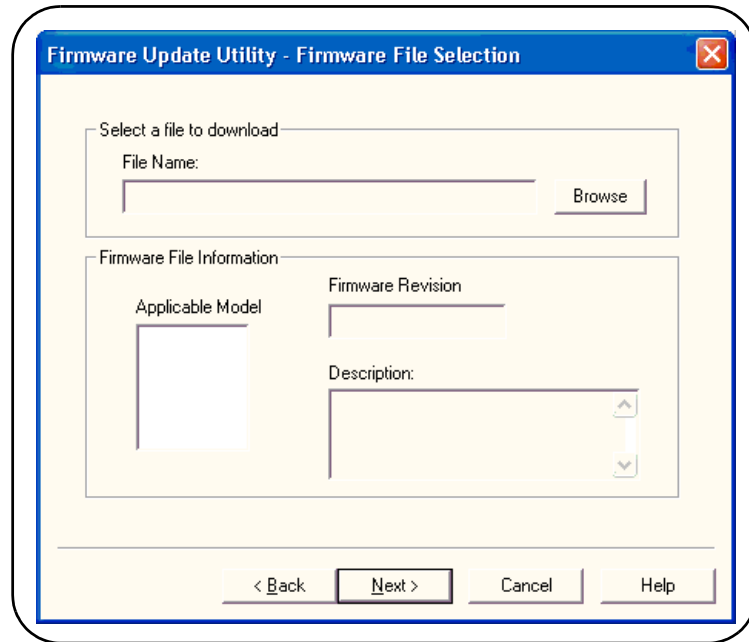
3441xA Firmware Update Revision < x.xx >

‘Open’ or ‘Save’ the firmware file to download it to your PC. Note the directory location as you will need to specify the path to the (firmware) file when you run the update utility.

### NOTE

Depending on the interface to the 34410A or 34411A, the firmware update utility will require the instrument’s LAN address, GPIB address, or USB address/alias. Note this address before starting the utility.

1. From the directory where the update utility was installed, start the utility by selecting **FirmwareUpdateUtility.exe**. Select 'Next' until the window shown in Figure A-1 appears.



**Figure A-1. Firmware Update Utility File Selection Window.**

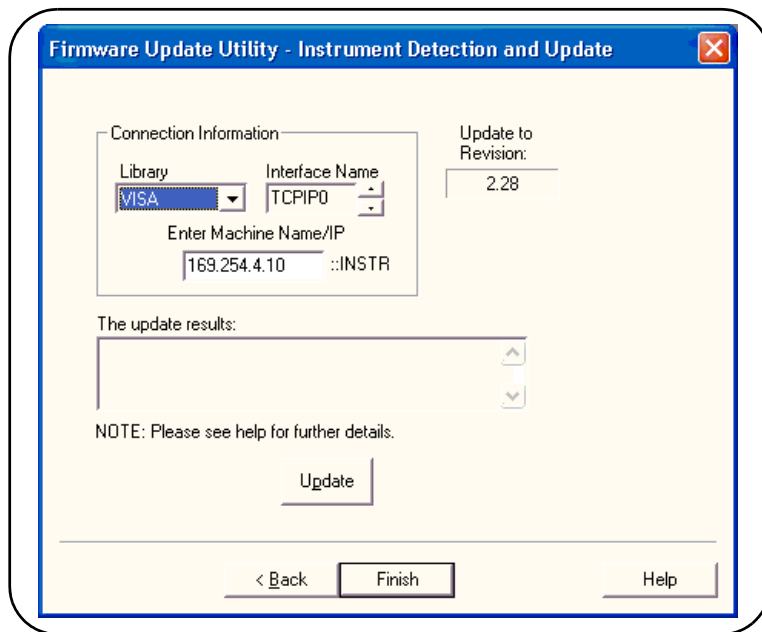
2. Using the 'Browse' button, specify the path to the firmware file. Once specified, the instrument model number will appear in the 'Applicable Model' window along with the revision and instrument description. Select 'Next'.

#### NOTE

The 'Applicable Model' window lists the instruments which may be updated by the specified firmware (.xs) image. The window is not used to select the instrument receiving the firmware update.

3. Select the I/O interface to the instrument and then select 'Next'. Enter the machine name, IP address, GPIB address, or Alias,... as prompted (Figure A-2). Select 'Update' to start the update process.

## A Appendix: Firmware and Driver Updates



**Figure A-2. Specifying the Instrument Address.**

The firmware update takes a few moments to complete. The 34410A/11A will reboot once the update is complete.

## Downloading IVI-COM Driver Updates

An IVI-COM driver for the 34410A/11A is provided on the Product Reference CD-ROM (p/n 34410-13601). Updates to the IVI-COM driver can be found on the Web at:

[www.keysight.com/find/34410A](http://www.keysight.com/find/34410A)

or

[www.keysight.com/find/34411A](http://www.keysight.com/find/34411A)

Once this page is displayed, click on ‘Technical Support’ under the heading ‘More Details’. From the Technical Support window, scroll to ‘**Drivers and Software**’ and select:

√ Instrument Drivers

√ Starts with 3 Download Keysight drivers for instruments that start with 3

√ Keysight 34410A Digital Multimeter, 6.5

Digit or

√ Keysight 34411A Digital Multimeter, 6.5 Digit

Select “Download” to install the driver. Additional information is provided by the ‘More Information’ link next to the ‘Download’ link.

## **A Appendix: Firmware and Driver Updates**

# Index

## Numerics

- 1-Year Specifications, 148
- 24-hour accuracy, 148
- 34410A, 7
  - firmware updates, 152
- 34411A, 7
  - firmware updates, 152
- 90-Day Specifications, 148

## A

- AC Current Measurements, 18
  - Configuring, 44
  - Configuring for Accuracy, 149
  - Errors In, 123
- AC Filter, 44, 46, 55
- AC Voltage Measurements
  - Configuring, 44
  - Configuring for Accuracy, 149
  - Errors In, 108
  - High Speed, 120
  - Loading Errors, 122
  - Specifications, 132
- AC Volts Measurements, 17
- Accuracy, 149
- Accuracy Specification
  - Explained, 146
- Annunciators, 39
- Aperture, 53
- Auto Triggering, 68
- Auto Zero, 44, 45, 46, 57
- Auto-IP, 94
- Automatic Trigger Delay, 74
- Autoranging, 58
- Average Value, 65

## B

- Bandwidth, 16, 42, 55
- Beeper, 62
- Bumper Removal, 27
- Burden Voltage, 123
- Bus Triggering, 70

## C

- Cable Capacitance, 122
- Calibration, 86
- Calibration Errors, 124
- Capacitance Measurements, 21
  - Configuring, 46
  - Errors In, 115
  - Specifications, 136
- Carry Handle, 26
- Changing Digits Displayed, 15, 42
- Character Entry, 43
- Configuring
  - LAN, 93
  - USB, 92
- Connectors on Rear Panel, 9
- Continuity Tests, 47

## D

- Data Logger, 80
- dB Measurements, 64
- dBm Measurements, 64
- DC Current Measurements, 18
  - Configuring, 44
  - Configuring for Accuracy, 149
  - Errors In, 115

## DC Voltage Measurements

- Configuring, 44
- Configuring for Accuracy, 149
- Errors In, 103
- Hih Speed, 121
- Integration Integration Time, 52
- Loading Error, 103
- Specifications, 129
  - Thermal EMF Error, 103
- DC Volts Measurement, 17
- Declaration of Conformity, 6
- Default Gateway, 95
- Default Settings, 87
- Delay (triggering), 73
- Description, 7
- DHCP, 93
- Digit Masking, 15, 42
- Diode Test, 23
- Diode Tests, 47
- Display, 38
  - Character Entry, 43
  - Shortcuts, 15, 41
  - Turn Off, 41
- Display Annunciators, 39
- Display Options, 40
- DNS Server, 93, 96
- downloading firmware updates, 152
- downloading the IVI-COM driver, 155

## E

- Error Conditions, 85
- errors
  - reading, 85
- EXT TRIG Terminal, 76
- External Triggering, 76

## Index

### F

- Factory Settings, 87
- firmware updates
  - downloads, 152
  - installation, 152
  - update utility, 152
- Frequency Measurements, 20
  - Configuring, 45
  - Configuring for Accuracy, 149
  - Errors In, 114
  - Specifications, 134
- Front Panel Description, 8, 10
- Front Panel Display, 38
- Front Panel Keys, 15
- Front/Rear Terminal Switch, 50
- Fuse, 24
  - Power Line, 25

### G

- Gate Time, 16, 42, 45, 55
- GPIB Interface, 91
- Ground Loops, 105

### H

- High Speed Measurements, 120
- High Voltage Self-Heating Error, 123
- Host Name, 96

### I

- IEEE-488, 91
- IMMediate Triggering, 70
- Input Impedance, 44, 54
- Integration, 44, 45, 46
- INtegration Time, 16, 42
- Integration Time, 104
- Integration Time, 52
- INteRnal Triggering, 70
- IP Address, 94
- IVI-COM
  - driver updates, 155

### K

- Keys, 8, 10, 15

### L

- LAN Interface, 90, 93
- Leakage Current, 124
- Limit TESting, 63
- Limit Testing, 66
- Loading Errors, 103, 122

### M

- Magnetic Loop Noise, 105
- Manual Ranging, 58
- Math Functions, 63
  - dB Measurements, 64
  - dBm, 64
  - Limit Testing, 66
  - Statistics, 65
- Maximum Value, 65
- Measure
  - 2-Wire Ohms, 19
  - 4-wire Ohms, 19
  - AC Current, 18
  - AC Volts, 17
  - Capacitance, 21
  - DC Current, 18
  - DC Volts, 17
  - Diode Test, 23
  - Frequency, 20
  - Period, 20
  - Resistance, 19
  - Temperature, 21, 22

- Measurement Error, 146
  - Below Full Scale, 123
  - Burden Voltage, 123
  - Common Mode, 124
  - Ground Loops, 105
  - High Resistance
    - Measurements, 107
  - Leakage Current, 124
  - Loading, 122
  - Loading Errors, 103
  - Low Level Measurements, 123
  - Magnetic Loops, 105
  - Noise, 104
  - Power Dissipation, 107
  - Self-Heating, 123
  - Test Lead Resistance, 107
  - Thermal EMF, 103
- Memory sanitization, 86
- Menus, 38
- Messages Displayed, 38
- Minimum Value, 65
- Multimeter
  - Failure to Turn On, 24
  - Front Panel Keys, 15
  - Fuse, 24
  - Preparing for Use, 14
  - Rack Mounting, 27
  - Reset, 51
  - Supplied Items, 14
  - Triggering, 68

### N

- NISPOM, 86
- NMR, 104
- Noise, 104, 105, 123
- Non-volatile Memory, 87
- NPLC, 52
- Null, 44, 45, 46, 47, 60
- Null Measurements, 60

### O

- Offset Compensation, 45, 46



**P**

Period Measurements, 20  
   Configuring, 45  
   Configuring for Accuracy, 149  
   Errors In, 114  
   Specifications, 134  
 Power Dissipation, 107  
 Power Line Noise, Rejecting, 104  
 Power On State, 87  
 Prepare for Use, 14  
 Pre-Trigger Samples, 72  
 Probe Type, 46

**R**

Rack Mounting, 27  
 Radix Character, 61  
 Range, 44, 45, 47, 58  
 Reading Hold, 69  
 Rear Panel Description, 9  
 Relative Measurements, 60  
 remote  
   unexpected, 97  
 Remote Annunciator, 90  
 remote I/O  
   introduction, 90  
 Remote Interface Configuration, 90  
 Replacing the Power Line Fuse, 25  
 Reset, 51  
 Resistance Measurements, 19  
   Configuring, 45  
   Configuring for Accuracy, 149  
   Errors In, 106  
   High Resistance Errors, 107  
   High Speed, 121  
   Integration Time, 52  
   NPLC, 52  
   Settling Time Errors, 122  
 Rubber Bumper Removal, 27

**S**

Safety Information, 3  
 Safety Notices, 2  
 Safety Symbols, 3

Sample Count, 65  
 Samples per Trigger, 71  
 SCPI  
   Commands, 37  
   Language Conventions, 37  
   Language Version, 37  
 Second Display, 40  
 Selecting Front or Rear  
   Terminals, 50  
 Self-Test, 84  
 Setting  
   AC Filter, 44, 46  
   Auto Zero, 44, 45, 46  
   Beeper, 62  
   Centigrade, 46  
   Fahrenheit, 46  
   Gate Time, 45  
   Input Impedance, 44  
   Integration Time, 44, 45, 46  
   Kelvin, 46  
   NPLC, 44, 45, 46  
   Null, 44, 45, 46, 47  
   Offset Comp, 45, 46  
   Probe Type, 46  
   Radix Character, 61  
   Range, 44, 45, 47, 58  
   Temperature Units, 46  
 Settling Time, 55, 122  
 Single Triggering, 69  
 Software Triggering, 70  
 Specifications, 128, 148  
   1-year, 148  
   24-hour accuracy, 148  
   90-day, 148  
   Transfer Accuracy, 148  
 Specifications Explained, 146  
 Standard Deviation, 65  
 State Storage, 49  
 Statistics, 63, 65  
 Store State, 49  
 Subnet Mask, 93  
 System II Rack Mounts, 27  
 System Memory, 49  
 System Operations, 84

System Specifications, 142

**T**

TCP/IP, 94  
 Temperature Coefficients (and  
   Accuracy), 148  
 Temperature Measurements, 21, 22  
   Configuring, 46  
   Errors In, 117  
   NPLC, 52  
   Units, 46  
 Test Lead Resistance, 107  
 Test Limits, 66  
 Thermal EMF Errors, 103  
 Thousands Separator, 61  
 Transfer Accuracy, 148  
 Triggering, 68  
   Auto Triggering, 68  
   Automatic Delay, 74  
   Bus, 70  
   Delay, 73  
   External, 76, 78  
   Falling Edge, 78  
   Immediate, 70  
   Internal, 70  
   Pre-Trigger Samples, 72  
   Reading Hold, 69  
   Rising Edge, 78  
   Samples Per Trigger, 71  
   Single, 69  
   Slope, 78  
   Software, 70  
   Source, 68  
 Troubleshooting, 24  
 True RMS, 108  
 Turn Off Display, 41

**U**

USB Interface, 90, 92

**V**

VM Complete, 77

## Index

### W

- Waste Electrical and Electronic  
Equipment Directive, 5
- Web Browser, 100
- Web Password, 93, 96

This information is subject to change without notice.  
© Keysight Technologies 2005 - 2012, 2014  
Edition 6, August 2014



34410-90001  
[www.keysight.com](http://www.keysight.com)